

Assembly Instructions

K: 43522668 | T: 70721270 10 DRAWER UNIT

CARE INSTRUCTION:









DO NOT TIGHTEN THE SCREWS UNTIL THE PRODUCT IS FULLY ASSEMBLED.
FOR INDOOR USE ONLY.




WARNING:

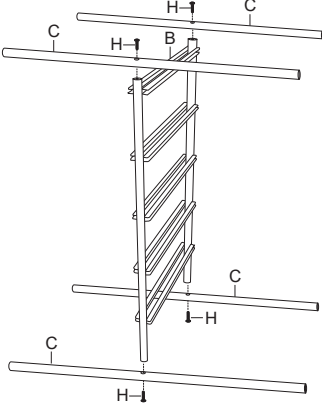
THIS PACKAGE CONTAINS SMALL PARTS, KEEP UNASSEMBLED PARTS AWAY FROM CHILDREN AND BABIES.



MAXIMUM SAFE LOAD: TOP PANEL: 2KG / EACH DRAWER: 1KG

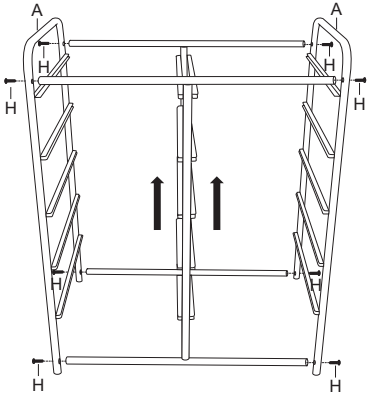
Hardware List

	A	2PCS		E	10PCS
	B	1PC		F	2PCS
	C	4PCS		G	2PCS
	D	1PC		H	12PCS



STEP 1  X1  X4  X4

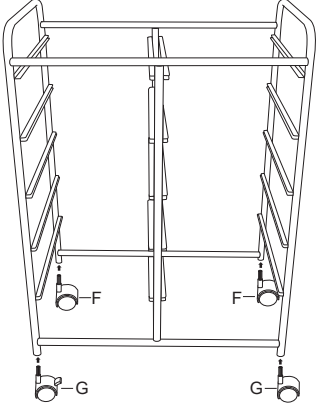



STEP 2  X2  X8

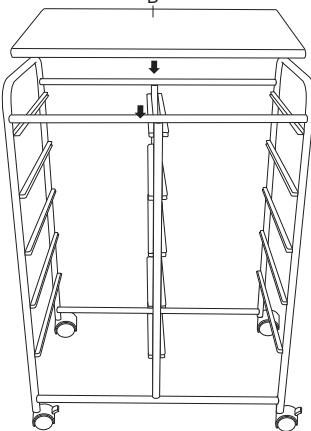



Attention: please keep Part B upward to balance the slide rail with Part A.

STEP 3  X2  X2



STEP 3  X1



STEP 5  X10

