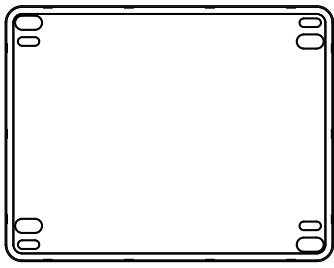
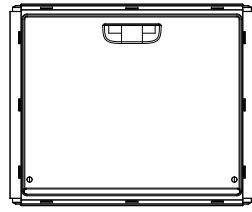


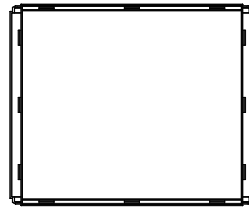
# Assembly Instructions



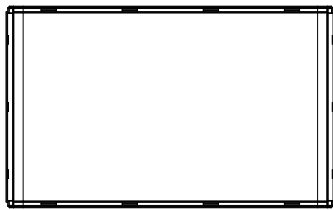
**A** x 2



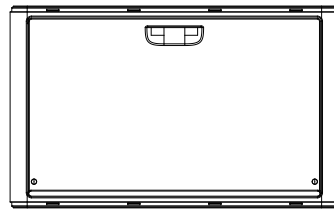
**B** x 1



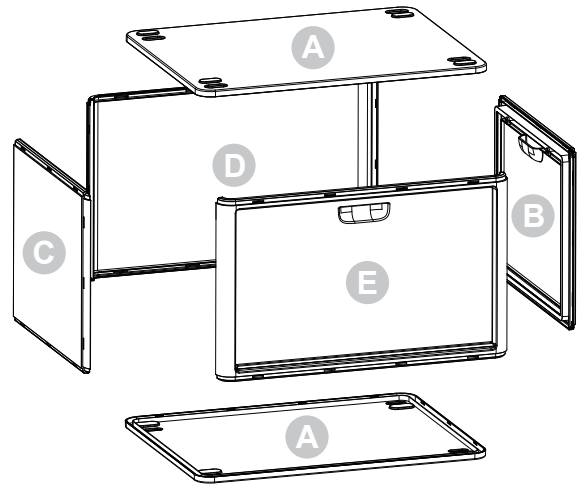
**C** x 1



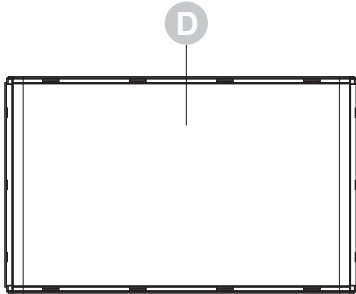
**D** x 1



**E** x 1

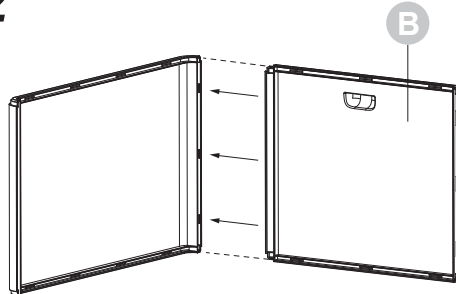


**1**



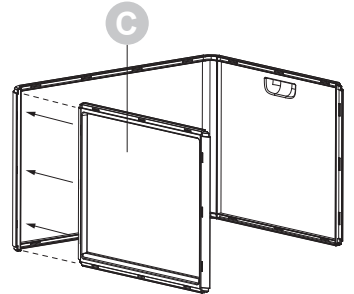
Please take out the back panel (D).

**2**



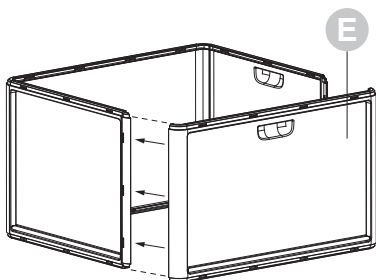
Securely assemble the back panel (D) into the slot of the right side panel (B).

**3**



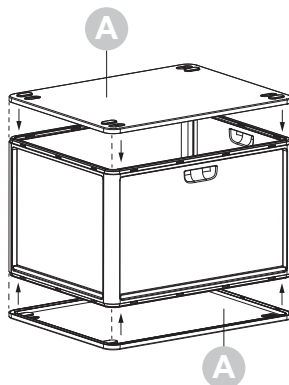
Securely assemble the left side panel (C) to the combination of the back (D) and right side panels (B).

**4**



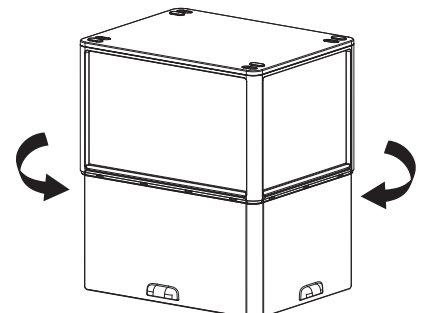
Take out the front panel (E) and assemble it into the slots of the left (C) and right side panels (B).

**5**



Place the top (A) and bottom (A) panels onto the previously assembled four panels. Apply pressure to ensure they are securely fitted.

**\***



Each of the two magnetic openings can flip up to 180°.