

# Assembly Instructions

**K: 43485840 | T: 70253801 SHOE RACK WITH LINEN LOOK COVER**

**CARE INSTRUCTIONS:**

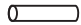

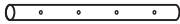

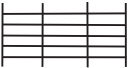
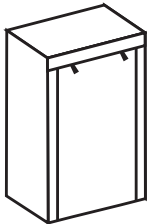
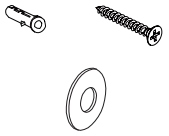
WIPE CLEAN WITH A SOFT DAMP CLOTH. DO NOT USE ABRASIVE MATERIAL AND SOLVENTS. KEEP AWAY FROM WATER AND DIRECT SUNLIGHT. CHECK AND TIGHTEN ALL PARTS REGULARLY. ENSURE PARTS ARE PUSHED TOGETHER SECURELY. FOR INDOOR USE ONLY.

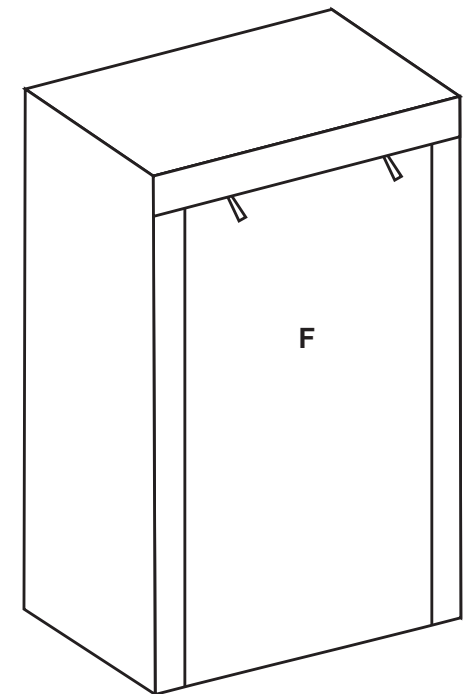
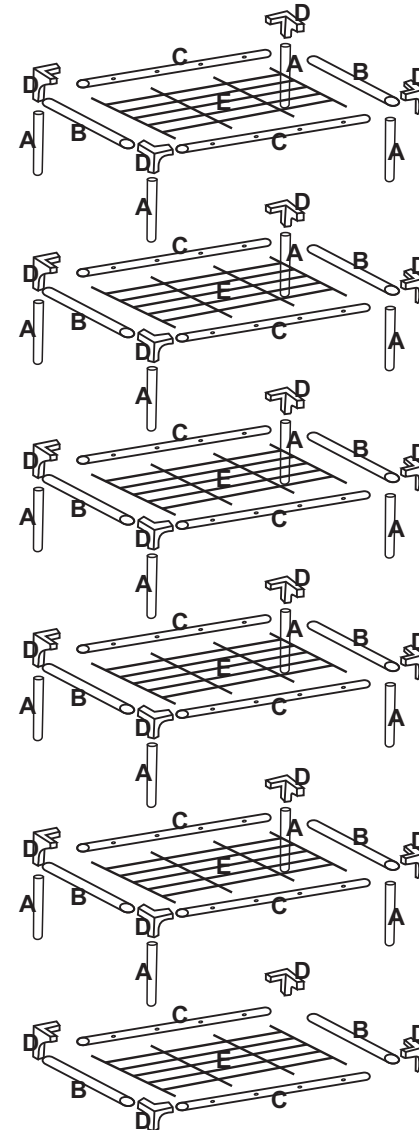
**WARNING:**

DO NOT STAND ON THE UNIT. USE ONLY ON A FLAT SURFACE. DO NOT USE UNTIL ALL SCREWS, BOLTS AND KNOBS ARE FIRMLY SECURED. THIS PRODUCT CONTAINS SMALL PARTS AND SHARP POINTS, KEEP AWAY FROM CHILDREN AND BABIES. ADULT ASSEMBLY REQUIRED. FAILURE TO FOLLOW THESE WARNINGS COULD RESULT IN SERIOUS INJURY.

**MAXIMUM SAFE LOAD: 2KG FOR EACH SHELF.**

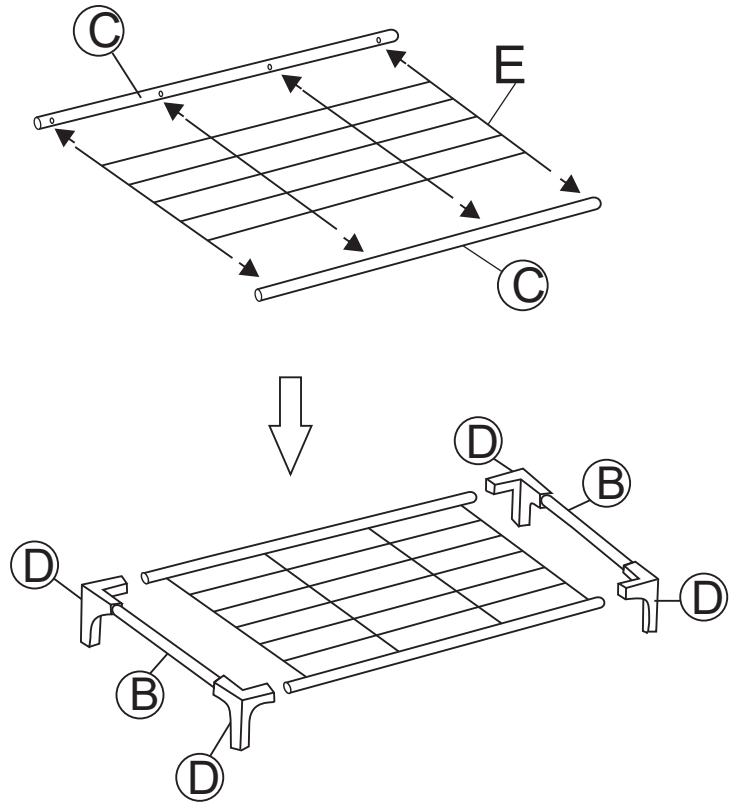
## Components list

								
<b>A</b>	169mm	20PCS	<b>B</b>	290mm	12PCS	<b>C</b>	645mm	12PCS
								
<b>D</b>		24PCS	<b>E</b>		6PCS	<b>F</b>		1PC
								
<b>G</b>		1PC						



STEP 1

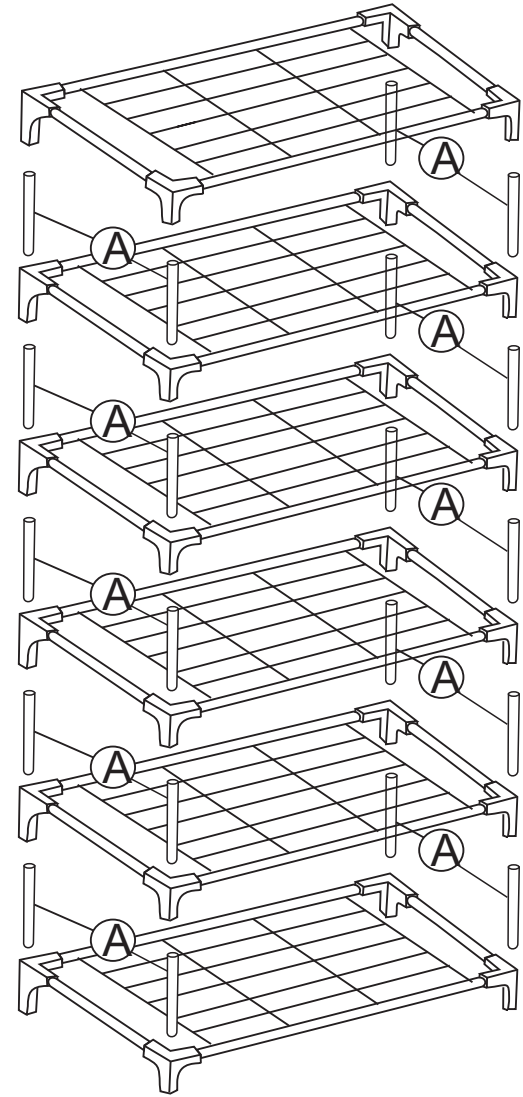
Dx24  
Bx12  
Cx12  
Ex6



X6

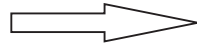
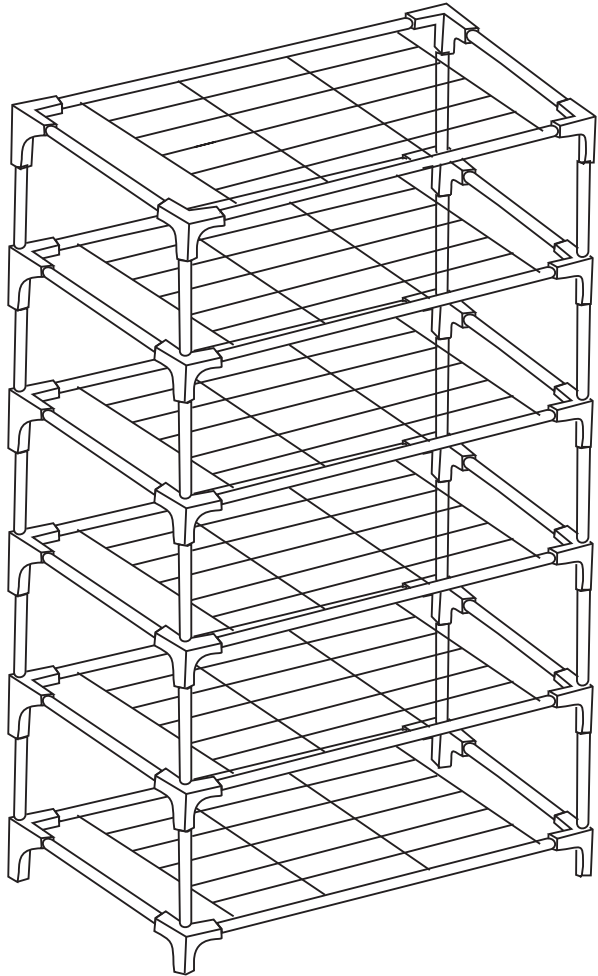
STEP 2

Ax20

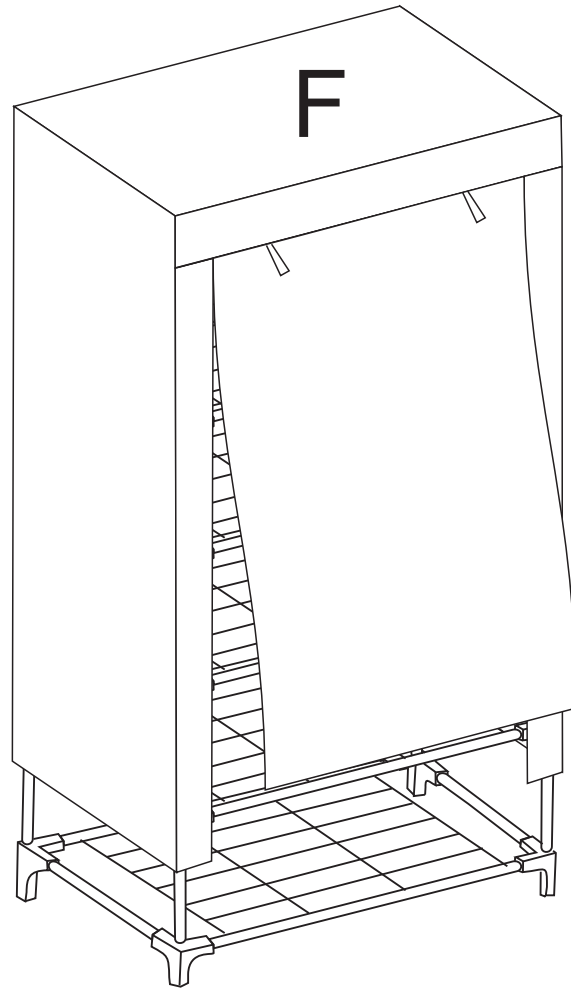


STEP 3

Fx1

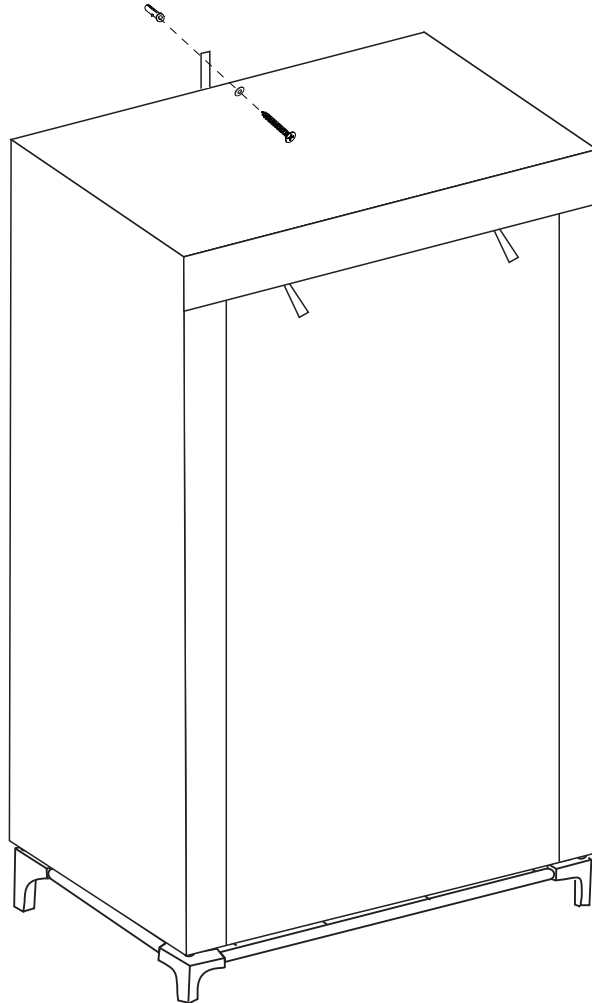


STEP 4



STEP 5

Gx1



<b>⚠ WARNING</b>	
<p><b>Children have died from furniture tipover.</b></p> <ul style="list-style-type: none"><li>• ALWAYS secure it with an anchor device.</li><li>• NEVER allow children to stand, climb or hang on drawers, doors, or shelves.</li><li>• NEVER open more than one drawer at a time.</li><li>• Place heavy items down low.</li></ul>	
<p>NEVER put a TV on this furniture</p>	
<p>This is a permanent label. Do not remove!</p>	

TOPPLING FURNITURE WARNING:

- **It is strongly recommended that this product is permanently fixed to the wall.**
- **Please seek professional advice if you are in doubt of what fixing device to use.**
- **Regularly check that anchors are securely maintained.**
- **Use safety drawer locks to prevent children climbing.**
- **Stability of tall items may be affected by thick pile carpet or uneven floors .**
- **Do not place unanchored televisions on furniture .**

**CAUTION:** for your safety when attaching the anchor fixings, please note the following:

- **Check any electrical wires or plumbing inside the wall before drilling any holes (if you are unsure please seek professional advice from a qualified tradesperson).**



WARNING: PLEASE SECURE YOUR FURNITURE WITH THE SUPPLIED WALL FIXING. SCAN THE CODE FOR MORE INFORMATION.

