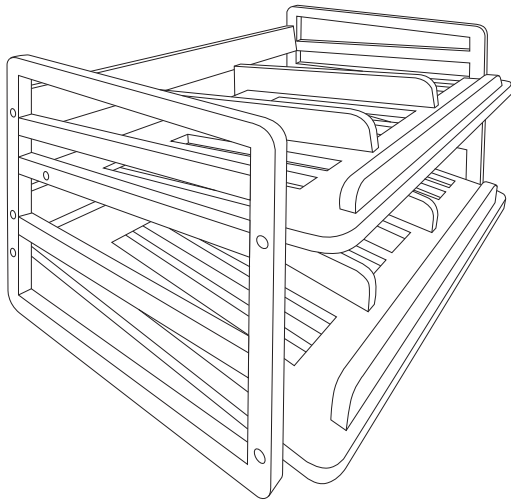


INSTALLATION INSTRUCTION

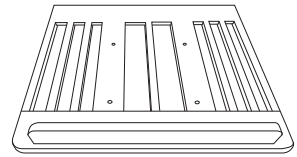
K:43481149|T:70224962

BAMBOO 2 TIER CAN STORAGE SHELF

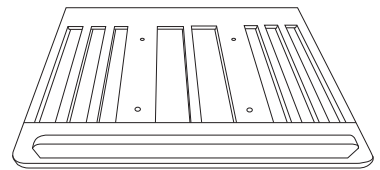


Parts List

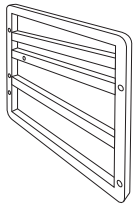
A x1



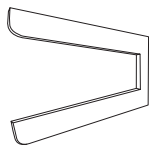
B x1



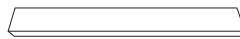
C x2



D x2



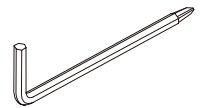
E x2



F x20

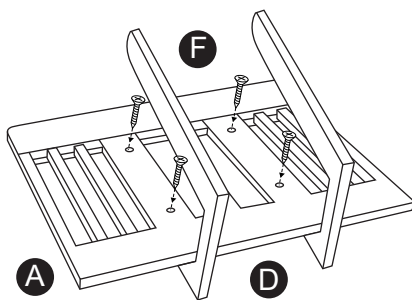


G x1

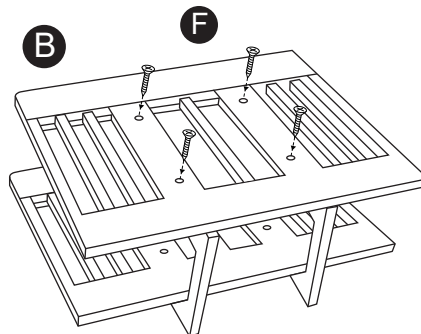


Installation Steps

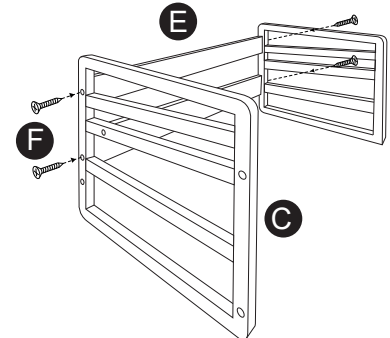
①



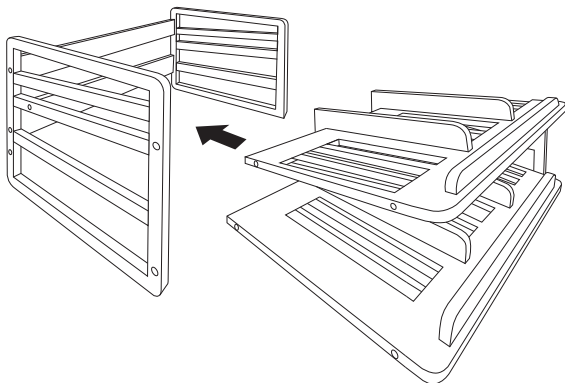
②



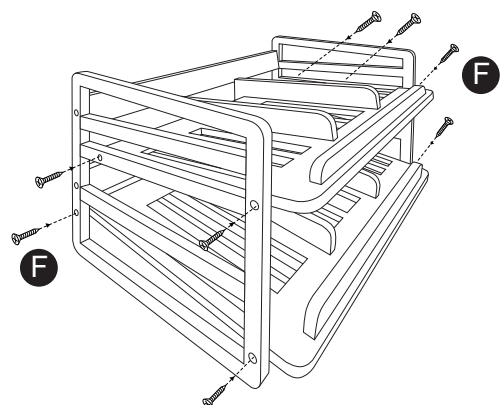
③



④



⑤



Note: If the bottom is uneven during installation, use a wrench to adjust the screw tightness to level it.