

Assembly Instructions





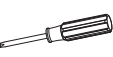
K: 43474141 | T: 70210231 Bamboo and Linen Look Hamper with 3 drawers







CARE INSTRUCTIONS: WIPE CLEAN WITH A SOFT DRY OR DAMP CLOTH. FOR INDOOR AND DOMESTIC USE. CHECK AND TIGHTEN ALL PARTS REGULARLY.

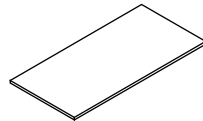
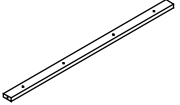
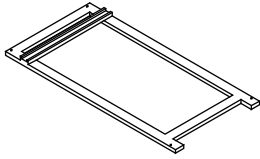
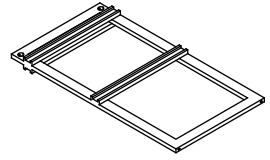
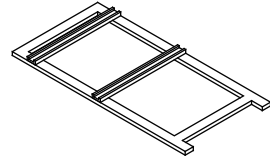
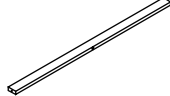
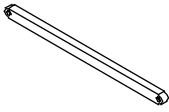
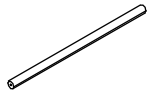
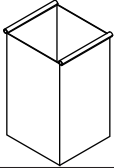
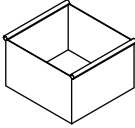
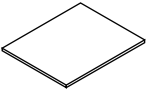
WARNING: DO NOT USE UNTIL ALL SCREWS, BOLTS AND KNOBS ARE FIRMLY SECURED. THIS PRODUCT CONTAINS SMALL PARTS AND SHARP POINTS, KEEP AWAY FROM CHILDREN AND BABIES. ADULT ASSEMBLY REQUIRED. FAILURE TO FOLLOW THESE WARNINGS COULD RESULT IN SERIOUS INJURY.

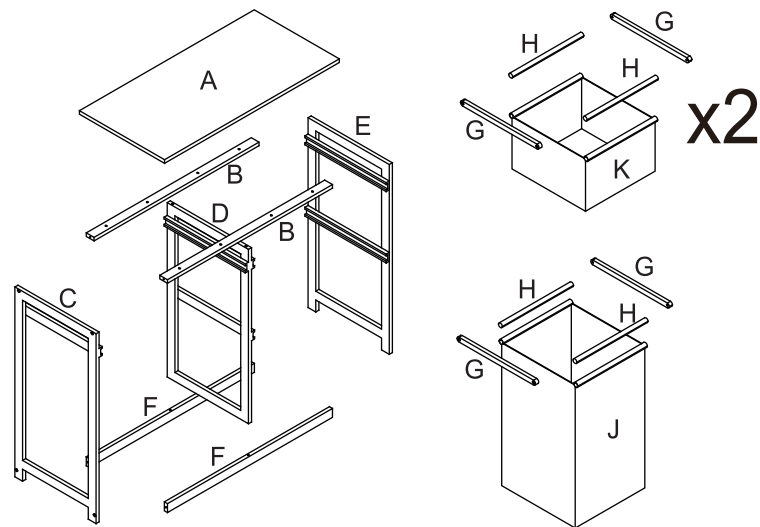
MAXIMUM SAFE LOAD: 8KG FOR THE TOP PANEL, 5KG FOR THE LARGE DRAWER & 3KG EACH FOR THE SMALL DRAWERS.

Hardware list

	a		2PCS
	b	15X10mm	2PCS
	c	5X35mm	10PCS
	d	4X20mm	8PCS
	Tool required Philips Head Screw Driver (Not Provided)		

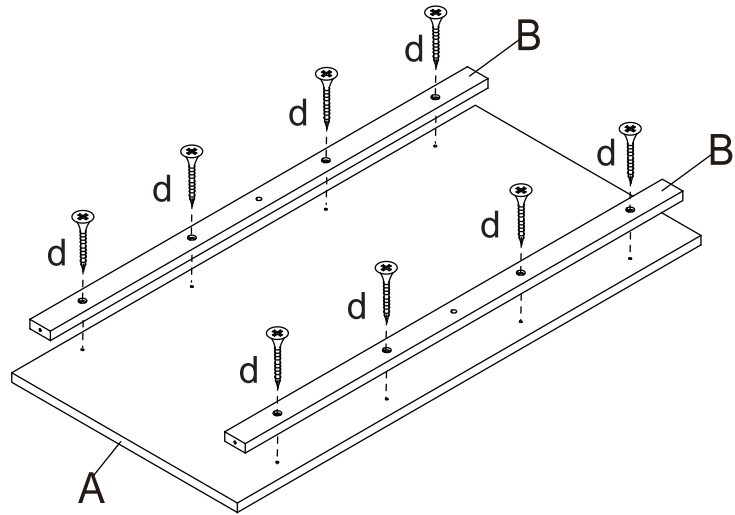
	e		2PCS
	f		2PCS
	g	4X30mm	2PCS
	h		2PCS
	i	4X25mm	12PCS
	j		1PC

		
A 1 PC	B 2 PCS	C 1 PC
		
D 1 PC	E 1 PC	F 2 PCS
		
G 6 PCS	H 6 PCS	J 1 PC
		
K 2 PCS	L 3 PCS	



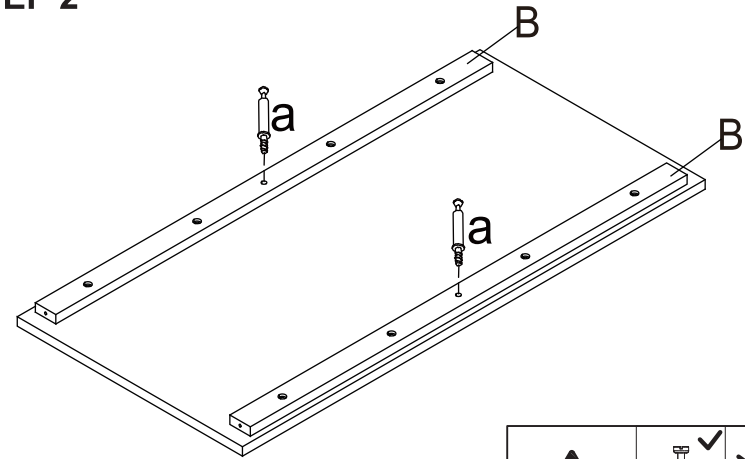
DO NOT TIGHTEN THE SCREWS UNTIL THE PRODUCT IS FULLY ASSEMBLED. FOR INDOOR USE ONLY.

STEP 1



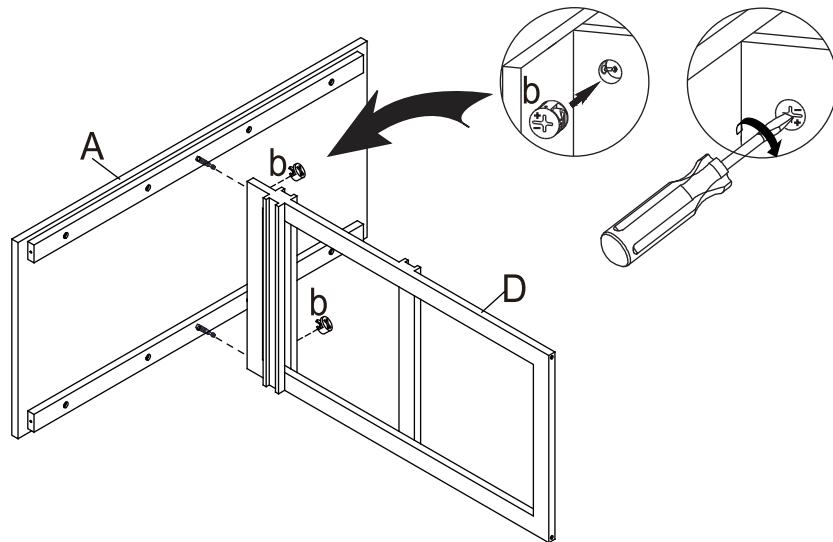
 e X 8


STEP 2



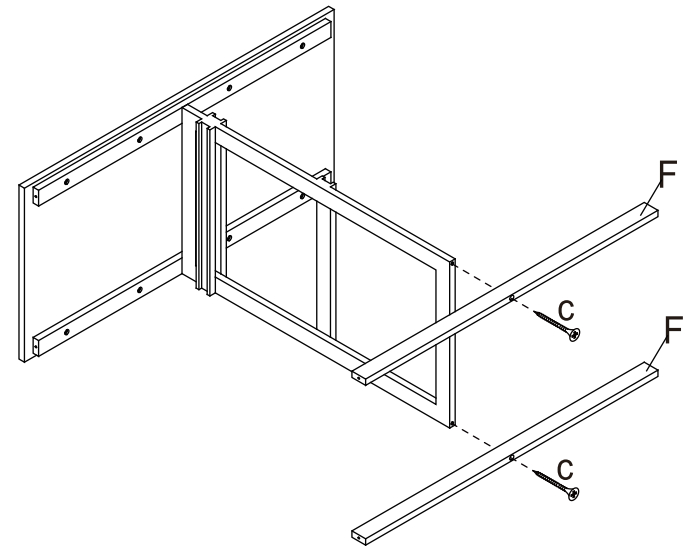
 a X 2


STEP 3



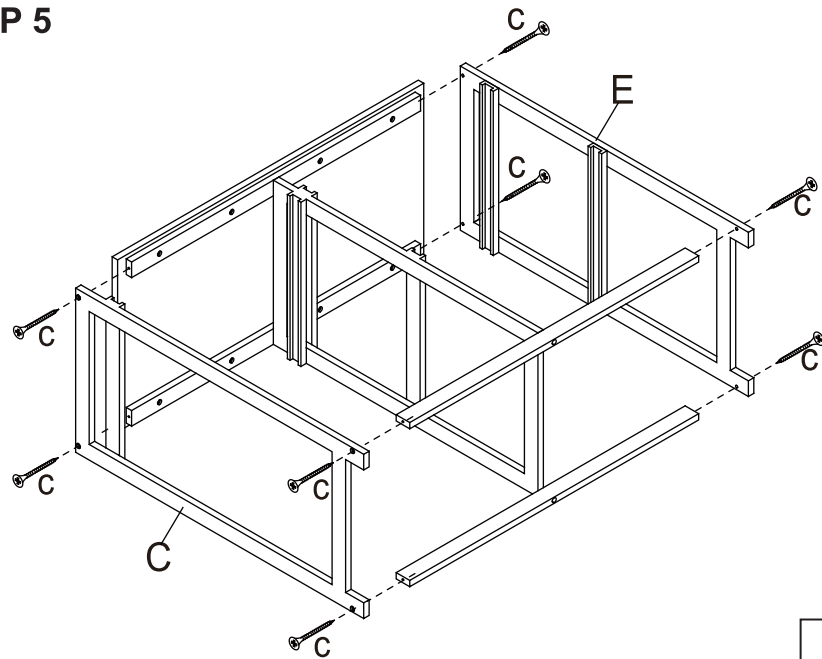
 b X 2

STEP 4



 c X 2

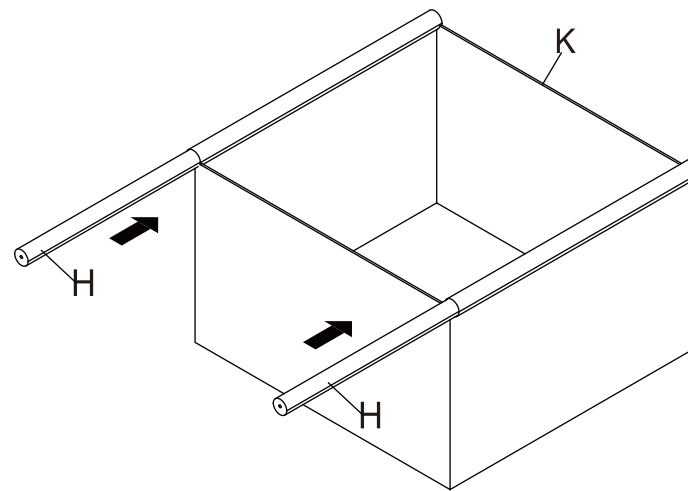
STEP 5



c X 8

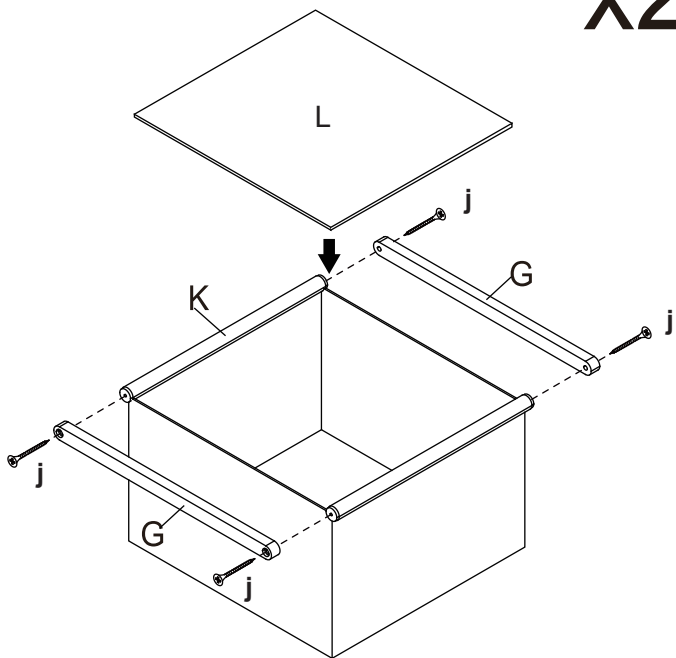
STEP 6

x2



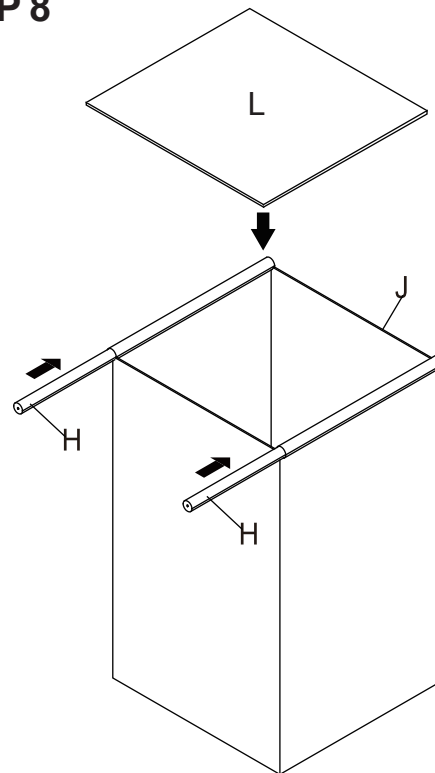
STEP 7

x2

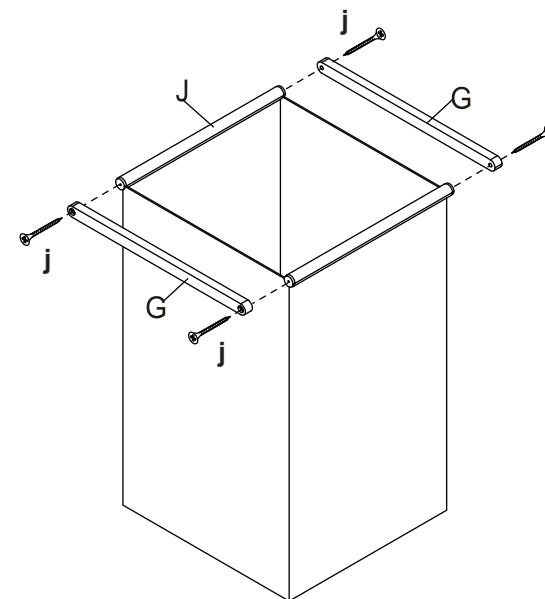


j X 8

STEP 8

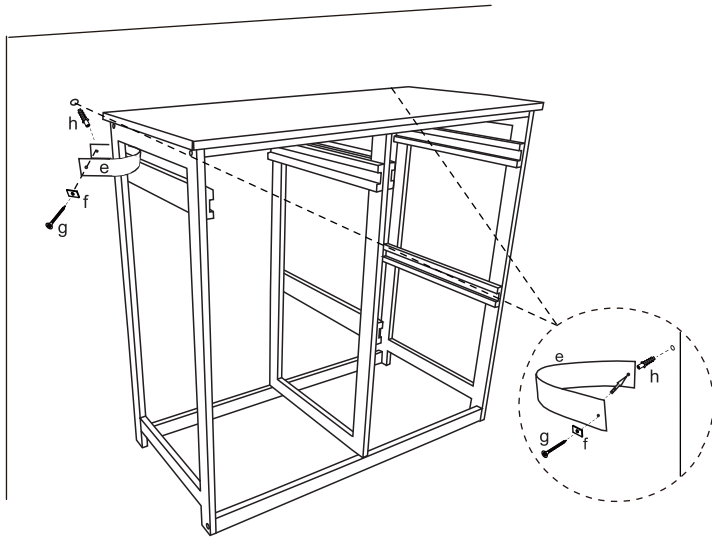


STEP 9



j X 4

STEP 10



TOPPLING FURNITURE WARNING:

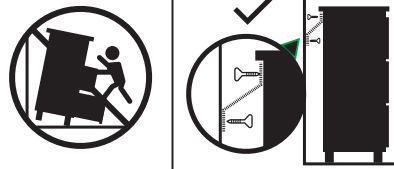
- It is strongly recommended that this product is permanently fixed to the wall.
- Please seek professional advice if you are in doubt of what fixing device to use.
- Regularly check that anchors are securely maintained.
- Use safety drawer locks to prevent children climbing.
- Stability of tall items may be affected by thick pile carpet or uneven floors .
- Do not place unanchored televisions on furniture .

CAUTION: for your safety when attaching the anchor fixings, please note the following:

- Check any electrical wires or plumbing inside the wall before drilling any holes (if you are unsure please seek professional advice from a qualified tradesperson).



WARNING





Children have died from furniture tipover.

- ALWAYS secure it with an anchor device.
- NEVER allow children to stand, climb or hang on drawers, doors, or shelves.
- NEVER open more than one drawer at a time.
- Place heavy items down low.

NEVER put a TV on this furniture



This is a permanent label. Do not remove!

 g X 2  h X 2

 e X 2  f X 2

STEP 11

