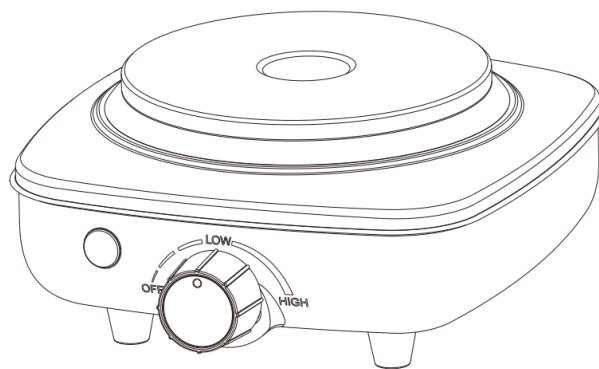


# anko

**Hot Plate**

**JB-3016**

**User Manual**




**PLEASE READ AND SAVE THESE  
INSTRUCTIONS FOR FUTURE REFERENCE**

## IMPORTANT SAFEGUARDS

### **WARNING!**

Read and understand all instructions before using this product and follow all warnings and cautions in the manual.

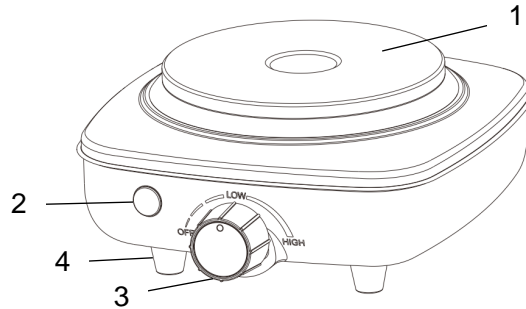
1. Always ensure the appliance is only used by a responsible adult.
2. Always use the appliance on a stable level surface, close to a power socket and out of reach from children.
3. Always turn the temperature control knob to “OFF” setting and disconnect from the power outlet when not in use and before cleaning.
4. If the supply cord is damaged, it must be replaced by a qualified electrician in order to avoid a hazard, or the product must be disposed of.
5. Always remove the plug from the power socket to disconnect. Do not pull the plug out by the cord.
6. Always ensure that food is cooked in a pan or saucepan, do not attempt to cook food directly on the hot plate.
7. Always ensure that the cookware used on the hot plate does not project beyond the area of the hot plate or overhang the controls.
8. Keep the appliance and its cord out of reach of children less than 8 years.
9. This appliance is intended to be used in household and similar applications such as:
  - staff kitchen areas in shops, offices and other working environments,
  - farmhouses,
  - by clients in hotels, motels and other residential type environments,
  - bed and breakfast type environments.
10. Do not use the appliance outdoors or for commercial purpose. Any other use will void the warranty.
11. To protect against risk of electrical hazards, do not immerse the appliance power cord or plug in water or any other liquids.
12. Never let the power cord hang over the edge of a counter or table.
13. Never leave this appliance unattended during use.
14. Never allow children to use this appliance, close supervision is necessary when this appliance is in use near children.
15. Never touch the housing and hot plates when in use, as they get hot and may cause injury. Never leave oil or fat that is being heated unattended. This is a fire risk.
16. Never operate the appliance by means of an external timer or separate remote-control system.
17. Do not place on or near a hot gas or electric burner.
18. Do not use an extension cord with this appliance.
19. Do not dismantle and repair the appliance by yourself. **DANGER OF AN ELECTRIC SHOCK!**
20. Do not allow this appliance to touch curtains, wall coverings, clothing, dish towels or other flammable material during use.
21. Do not operate the appliance inside appliance cabinet or under a wall cabinet. When storing in an appliance cabinet, always unplug the unit from an electrical power outlet and ensure the appliance has completely cooled down.

22.  Caution, hot surface. Care must be taken. The surfaces are liable to get hot during use.
23. This appliance is not intended for use by persons (including children) with reduced physical, sensory or mental capabilities, or lack of experience and knowledge, unless they have been given supervision or instruction concerning use of the appliance by a person responsible for their safety.
24. Children should be supervised to ensure that they do not play with the appliance. Only plug the appliance into 220-240V 50-60Hz electrical power outlet.
25. Connect to properly earthed power outlet socket only. Do not attempt to modify the plug in any way.
26. **WARNING: If the surface of the hot plate is cracked or show any signs of damage, switch OFF the appliance immediately to avoid the possibility of electric shock.**
27. For cleaning, please refer to “CLEANING” section.

**SAVE THESE INSTRUCTIONS  
FOR HOUSEHOLD USE ONLY**

## KNOW YOUR MINI HOT PLATE

1. Hot Plate
2. Heating indicator
3. Temperature control knob
4. Non-slip feet



### BEFORE FIRST USE

- Unpack the appliance and check if all parts are there and undamaged.
- Place the appliance on a flat, heat-resistant stable surface and ensure a minimum of 10cm free space around the appliance. Do not operate your appliance inside a cabinet or directly under a wall cabinet.

**IMPORTANT!** Always place and operate the appliance on a flat, solid, clean, dry, and heat-resistance surface.

- Plug the appliance into an electrical power outlet.

Note: Make sure the voltage indicated on the appliance matches the local voltage before connecting the appliance to mains power. Rated voltage: 220-240V~ 50-60Hz.

- Before using the appliance for the first time, turn the hot plates ON by turning the temperature control knob to the highest heat setting and heat up for 5 minutes. This will burn off any residue left from manufacture. Some odour and smoke could develop during this process. This is normal. Ensure good ventilation and it should disappear after few minutes of use.

**IMPORTANT!** This should be the only time the hotplate is turned ON without a cooking utensil on it. Never switch ON the hot plate without placing a cooking utensil with food/liquid.

- Unplug the appliance and now it is ready for use.

## HOW TO USE YOUR MINI HOT PLATE

1. Place the appliance on a flat, heat-resistant stable surface and ensure a minimum of 10cm free space around the appliance.

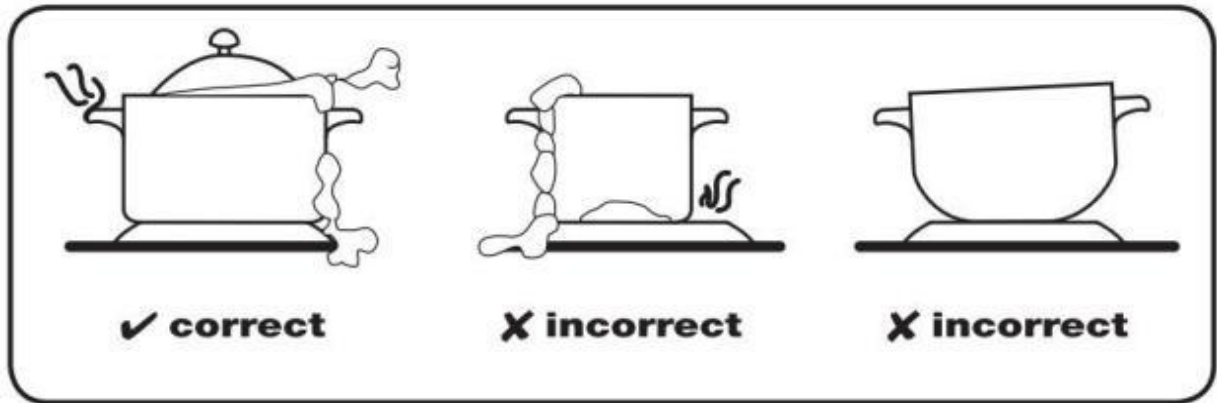
**NOTE:** Do not operate your appliance inside a cabinet or directly under a wall cabinet.

2. Place a pan on the hot plate.

**NOTES:**

- Do not use pans that are unstable and easily tipped.
- For the most efficient result, the cookware used should have a solid and even base, a diameter of approximately 11cm, with a maximum capacity of 0.6L.
- Cookware with a base smaller than the diameter of the hot plate should not be used.
- Cooking utensils, regardless of their size, should not protrude beyond the heating plate ring or intrude into the area of proximity of the controls.

**IMPORTANT!** Utensils with convex, concave or uneven bottoms should not be used.



3. Connect the appliance with a mains power outlet socket. The working indicator will light up, indicating that the hot plate is heating up. Turn the control knob to the desired heat setting to achieve the desired temperature.

NOTE: The heating indicator light turn ON and OFF during the cooking process to maintain the set cooking temperature. The below operating temperature for each setting is for reference only:

| Temperature control knob | Temperature setting | Approx. temperature |
|--------------------------|---------------------|---------------------|
|                          | OFF                 | 0                   |
|                          | LOW                 | 150°C               |
|                          | HIGH                | 280°C               |

4. When finish cooking, disconnect the power cord plug from mains power outlet.  
**IMPORTANT! When not in use, always turn the temperature control knob to OFF position and disconnect the appliance from mains power.**

## CLEANING

- Disconnect the appliance from the mains power outlet and allow the hot plate to cool down completely.

**WARNING! Do not immerse the appliance in water or any other liquid.**

- Clean the painted surface with a damp soft cloth.
- Remove the baked-on marks with a mild kitchen cleaner or a cloth moistened with mild detergent.

NOTE: Commercially available hot plate ring cleaners are recommended to preserve the natural finish of the appliance.

- Wipe the appliance with a dry cloth or paper towel and allow the appliance to dry completely.

## STORAGE

1. Unplug the appliance from mains power.
2. Allow the appliance to cool down completely.
3. Clean and dry the appliance.
4. Store the appliance in a cool, dry location and out of the reach from children.

**WARNING! Do not wrap the power cord around the appliance.**

## TECHNICAL SPECIFICATIONS

Model No.: JB-3016

Voltage: 220-240V~ 50-60Hz

Power: 420-500W

Hotplate diameter: 105mm

## 12 Month Warranty

Thank you for your purchase.

Your new product is warranted to be free from defects in materials and workmanship for the period stated above, from the date of purchase, provided that the product is used in accordance with accompanying recommendations or instructions where provided. This warranty is in addition to your rights under the Australian Consumer Law.

For New Zealand customers, this warranty is in addition to statutory rights observed under New Zealand legislation.

We will provide you with your choice of a refund, repair (where possible) or exchange (availability dependent) for this product if it becomes defective within the warranty period. The business will bear the reasonable expense of claiming the warranty.

This warranty will no longer apply where the defect is a result of alteration, accident, misuse, abuse or neglect.

Please retain your receipt as proof of purchase and contact our Customer Service Centre as listed below, for the entity you purchased this product from, for any difficulties with your product.

Warranty claims and claims for expense incurred in returning this product can be addressed to the respective Customer Service Centre.

Our goods come with guarantees that cannot be excluded under the Australian Consumer Law. You are entitled to a replacement or refund for a major failure and compensation for any other reasonably foreseeable loss or damage. You are also entitled to have the goods repaired or replaced if the goods fail to be of acceptable quality and the failure does not amount to a major failure.

| <b>Contact for Kmart purchases</b>   | <b>Contact for Target purchases</b>  |
|--|--|
| Kmart Australia Ltd.<br>C/- Customer Service Centre<br>690 Springvale Road,<br>Mulgrave Vic 3170<br>Customer Service: 1800 124 125<br>(Australia) or 0800 945 995<br>(New Zealand) or via<br>Customer Help at <a href="http://kmart.com.au">kmart.com.au</a> | Target Australia Pty Ltd<br>C/- Customer Service Centre<br>2 Kendall Street, Williams Landing,<br>Vic, 3027<br>Customer Service: 1300 753 567<br>or via Customer Help at<br><a href="http://target.com.au/help/contact-us">target.com.au/help/contact-us</a> |