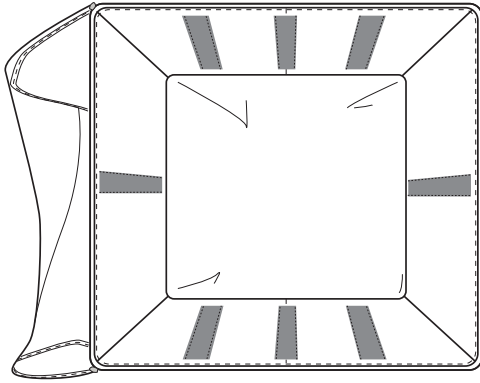


Assembly Instructions

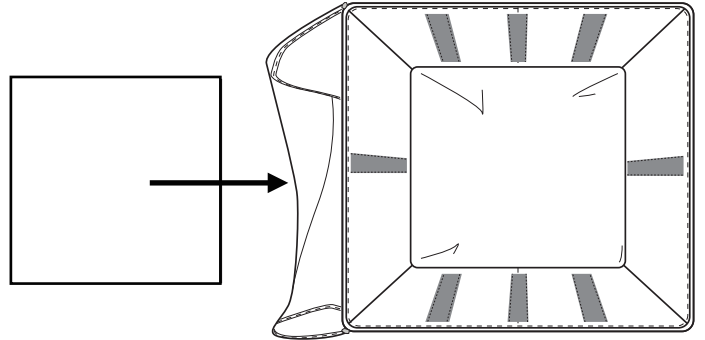
K: 43401826 | T: 69380426 LINED LOOK STORAGE BOX W DIVIDERS

STEP 1



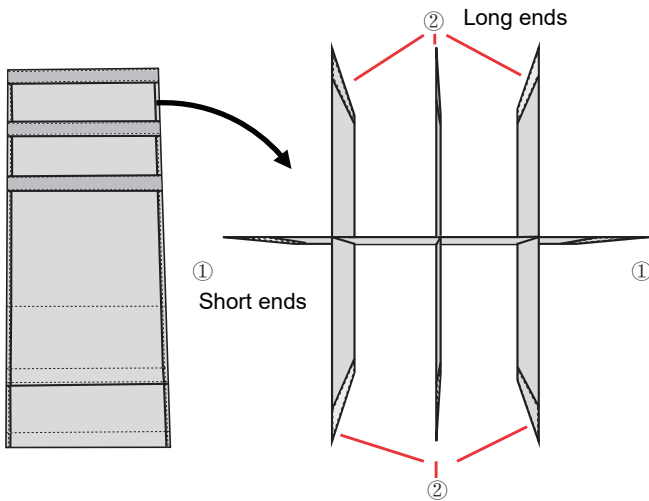
1. Unfold the storage box

STEP 2



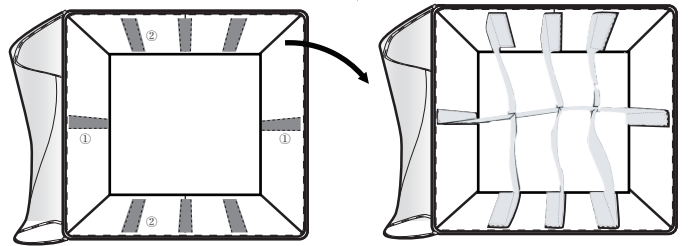
2. Place the bottom insert from the side pocket.

STEP 3



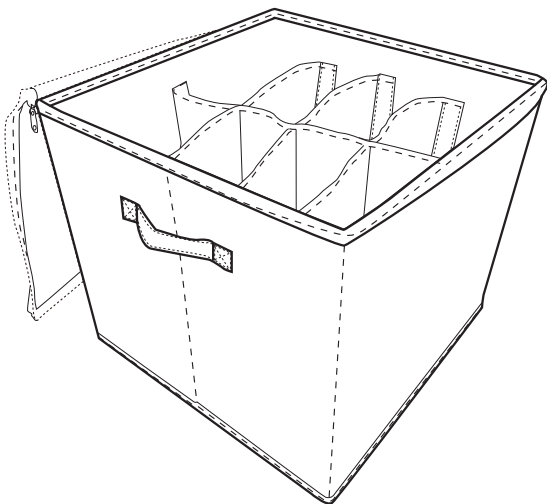
3. Stretch the dividers as shown

STEP 4



4. Attach the hook & loop straps accordingly. Attach the short ends first, and then continue with the long ends.

STEP 5



5. Assembly completed

STEP 6

