

# **anko**

## **Telescopic fan QQS24-T06 User Manual**



**PLEASE READ AND SAVE THESE  
INSTRUCTIONS FOR FUTURE REFERENCE**

# IMPORTANT SAFEGUARDS

When using any electrical product, always follow these basic safety precautions:



## READ ALL INSTRUCTIONS BEFORE USE

When using electrical appliances, basic safety precautions should always be followed, including the following:

Carefully read this instruction manual before using the Fan and/or the USB cable.

- Keep the Fan and USB cable out of reach of young children.
- This appliance is not intended for use by persons (including children) with reduced physical, sensory or mental capabilities, or lack of experience and knowledge, unless they have been given supervision or instructions concerning use of the appliance by a person responsible for their safety.
- Children should be supervised to ensure that they do not play with the Fan and/or USB cable.
- Ensure children and babies do not play with plastic bags or any packaging materials.

### • VERY IMPORTANT:

Ensure that the Fan and/or USB cable does not get wet (water splashes etc.).

Do not use your charger, Fan or the USB cable with wet hands.

Do not immerse the Fan and/or the USB cable in water or other liquids or use near sinks, baths or showers.

- Only Charge the Fan with the USB cable that was supplied with the Fan.
- Only Charge the Fan from an Extra Low Voltage Battery Charger with an output rating the same as indicated on the Fan's rating label.
- Position the power supply lead properly so that they will not be walked on or pinched by items placed on or against them.
- Use the Fan and USB cable only for its intended use. The Fan and USB cable is intended for household use only and not for commercial or industrial use.
- Inspect the USB cable and Fan for damage prior to every use.
- Do not use the Fan if it has been dropped or any part of the Fan and/or the USB cable has been damaged.
- The use of accessories not intended for use with this the Fan may cause injuries to the user or damage to the Fan and/or the USB cable.
- Do not sit the Fan on other appliances, on uneven surfaces or where it could be subject to heat sources (e.g. radiators or stoves), direct sunlight, excessive dust or mechanical vibrations. The Fan and/or USB cable must not be used outdoors if raining, near water, placed near a hot gas or electrical burner or placed in a heated oven.
- Do not place or leave near any heat sources such as radiators, heat registers, stoves, or other apparatus that produce heat.
- Do not operate or charge the Fan underneath or near flammable or combustible materials (e.g. curtains).
- Always switch off and unplug the charger when finished charging the fan, or during lightning storms or when unused for long periods of time.
- Do not cover the fan or charger when charging.

- Turn off and unplug before cleaning or storing.
- Any type of servicing, apart from ordinary cleaning, must be carried out by a qualified electrical person only. There are no user serviceable parts in this Fan and USB cable.
- Cleaning and user maintenance shall not be made by children without supervision.
- If this Fan and USB cable is used by a third party, please supply the instruction manual with it.
- Do not misuse the USB cable. Never carry the Fan by the USB cable or pull to disconnect it from the socket. Instead, grasp the plug and pull to disconnect.
- Do not insert or allow foreign objects to enter the grille openings as this may cause damage to the Fan and/or injury to the user.
- Do not leave the Fan running or charging unattended.
- Avoid contacting moving parts. Keep fingers, hair, clothing and other items away from the Fan grille during operation to prevent personal injury and/or damage to the Fan.
- Never poke anything through the fan grille.
- No liability can be accepted for any damage caused by non-compliance with these instructions or any other improper use or mishandling of the Fan and/or USB cable.
- This product has not been designed for any uses other than those specified in this manual.
- **ONLY** for domestic use. Industrial or commercial use invalidates the warranty.

## **WARNING**

- Only use the USB Cable that was supplied with this Fan.
- Consumers are cautioned against trying to replace the battery. Using and/or purchasing counterfeit and/or inferior quality batteries have the potential to cause fire, personal injury, and/or damage to property. These batteries are typically found on online-auction websites or from other retailers and are known to pose a potential safety risk.
  - Batteries may explode if disposed of in fire.
  - The battery is not replaceable. Do Not open the fan.
  - Do not use or store in temperatures above 40°C.



At the end of the fan's life, it must be disposed of correctly.

- Contact your local waste management authority for more information on Recycling and disposal regulations in your area.

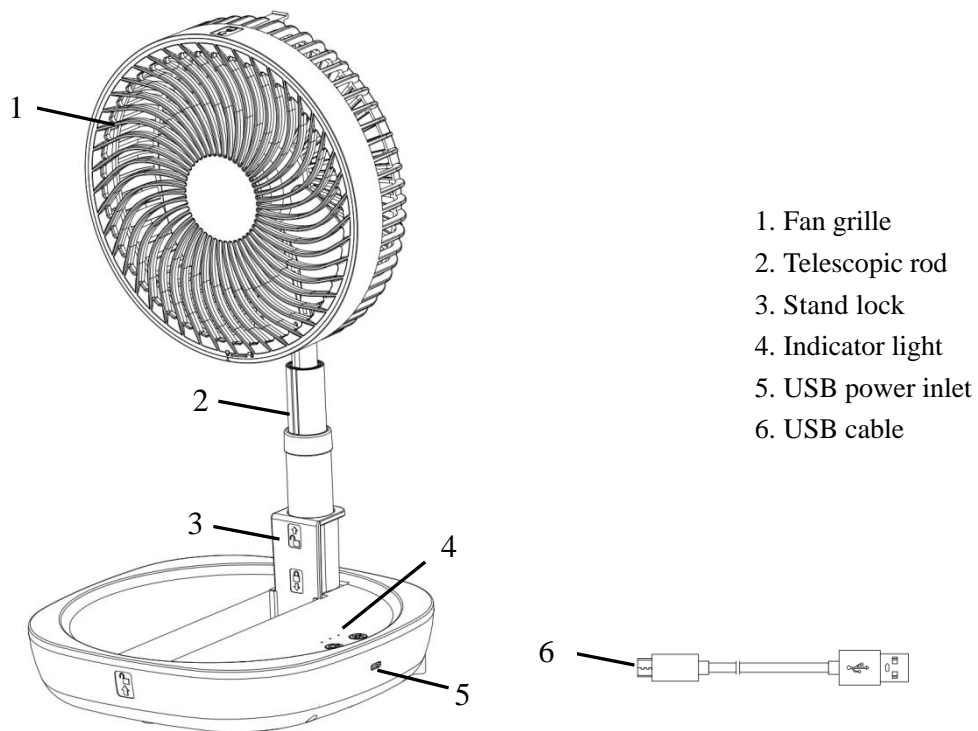


This symbol on the product or its packaging indicates:

- Do not dispose of electrical appliances as unsorted municipal waste, use separate collection facilities.
- Contact the local council waste management authority for information regarding collection facilities available in your area.
- If electrical appliances are disposed of in landfills or dumps, hazardous substances can leak into the groundwater and get into the food chain, damaging your health and well-being.

# SAVE THESE INSTRUCTIONS FOR HOUSEHOLD USE ONLY

## KNOW YOUR TELESCOPIC FAN



### CHARGING THE FAN

The Fan must be fully charged prior to first use.

#### **IMPORTANT:**

This Fan contains a built-in li-ion battery which must only be charged using the supplied USB cable.

1. Unravel the USB Cable fully before using it to charge the Fan.
2. Insert the large USB plug into a USB power outlet (not included) rated at 5Vd.c, 1Amp. Plug the small end of the USB cable into the power inlet of the appliance.
3. The indicator light will flash in turn during charging and all indicator lights will light up steady when fully charged.
4. Unplug the USB cable when charging is completed.

## USE YOUR TELESCOPIC FAN

1. Place the fan on a flat and level surface.
2. Open the fan from the unlock position and fully unfold the appliance follow Fig.1 and 2.
3. Push down the stand lock into the slot until you hear a 'click', refer to Fig.3.

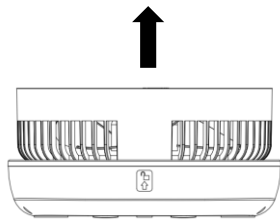


Fig.1

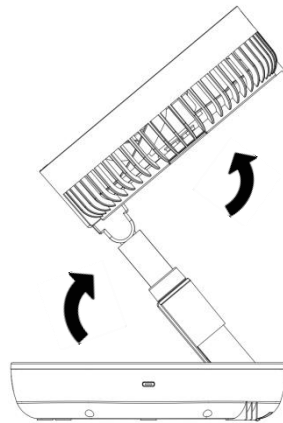


Fig.2

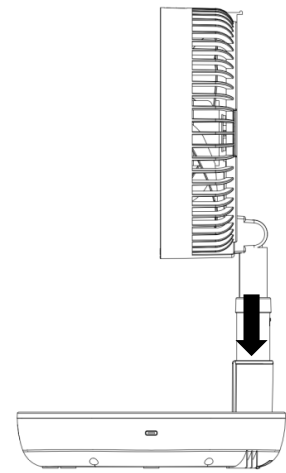
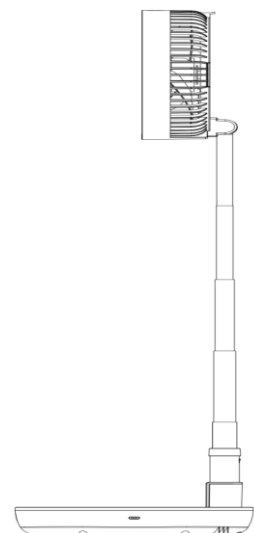
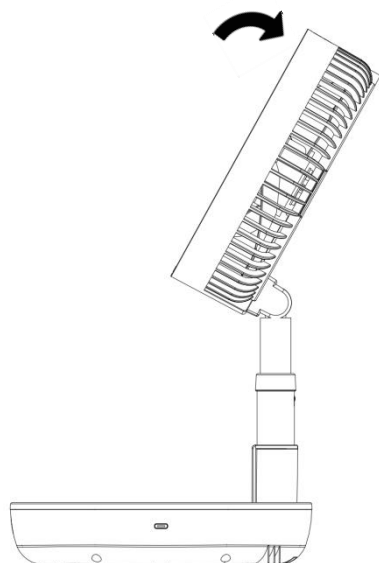
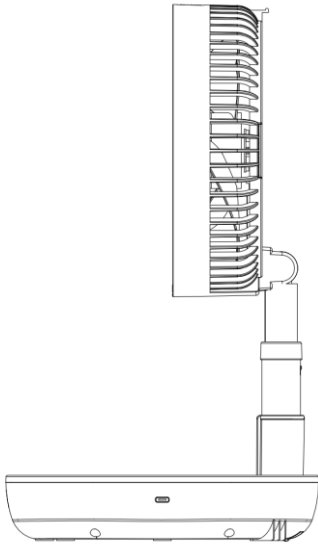


Fig.3

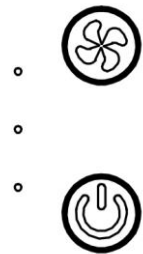
4. There are two wind directions available. If adjustment needed, securely holding the telescopic pole, simply rotate the fan until hear a 'click'.





5. Variable height can be adjusted by gently pulling the rod up to a comfortable height.
6. Insert the large USB plug into a USB power outlet (not included) rated at 5Vd.c, 1Amp. Plug the small end of the USB cable into the power inlet of the appliance.  
NOTE: The appliance can be used with the cord connected to a USB power outlet or cordless with a charged battery.  
The appliance will run approximately 5-7 hours in different wind setting when fully charged.

7. Press the power button to start the appliance, the fan starts with the lowest wind speed by default with 1 light illuminated. Press the fan icon to obtain medium wind speed, two indicator lights will be illuminated. Press the fan icon again to select a higher wind speed, indicator lights will be illuminated.



3

8. Turn off the appliance after use.

Always switch off and unplug the USB cable when charging is completed or when not in use.

## CLEANING AND STORAGE

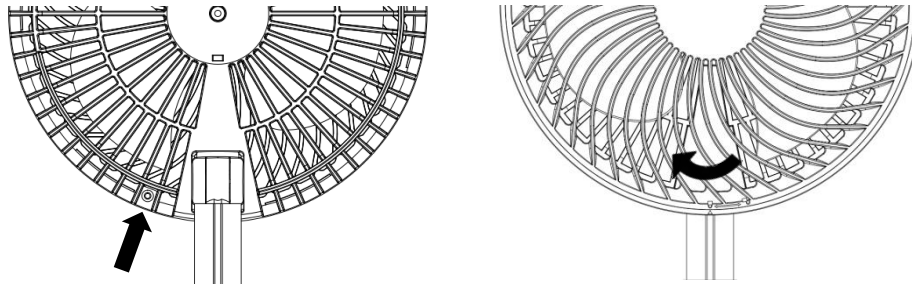
**CAUTION: Never immerse the appliance or the USB cord in water or other liquids. Never use flammable liquids, chemicals, abrasive creams, steel wool or scouring pads for cleaning.**

NOTE: Cleaning and user maintenance shall not be made by children without supervision.

- Ensure that the appliance is switched OFF and unplugged from the power supply.

- Take off the screw in the back grill, rotate the front grille anti-clockwise until the triangle on the edge point to the unlock icon, then take off the front grille.

**WARNING! NEVER disassemble more parts except the front grille.**



- The front grille, rear grille and fan blade can be cleaned with the aid of a vacuum cleaner and a small brush.
- Assemble the front grille after cleaning.
- Clean the body with a clean, dry cloth.
- Coil the USB cable loosely. Do not kink or pull the cable tight.
- Store your appliance in a cool, dry location.

## **TECHNICAL SPECIFICATION**

Input: 5V $\overline{=}$  1A

Battery pack: Li-ion, 3.7V, 3600mAh, 13.32Wh

## **12 Month Warranty**

Thank you for your purchase.

Your new product is warrantied to be free from defects in materials and workmanship for the period stated above, from the date of purchase, provided that the product is used in accordance with accompanying recommendations or instructions where provided. This warranty is in addition to your rights under the Australian Consumer Law.

For New Zealand customers, this warranty is in addition to statutory rights observed under New Zealand legislation.

We will provide you with your choice of a refund, repair (where possible) or exchange (availability dependent) for this product if it becomes defective within the warranty period. The business will bear the reasonable expense of claiming the warranty.

This warranty will no longer apply where the defect is a result of alteration, accident, misuse, abuse or neglect.

Please retain your receipt as proof of purchase and contact our Customer Service Centre as listed below, for the entity you purchased this product from, for any difficulties with your product. Warranty claims and claims for expense incurred in returning this product can be addressed to the respective Customer Service Centre.

Our goods come with guarantees that cannot be excluded under the Australian Consumer Law. You are entitled to a replacement or refund for a major failure and compensation for any other reasonably foreseeable loss or damage.

You are also entitled to have the goods repaired or replaced if the goods fail to be of acceptable quality and the failure does not amount to a major failure.

<b>Contact for Kmart purchases</b>	<b>Contact for Target purchases</b>
Kmart Australia Ltd. C/- Customer Service Centre 690 Springvale Road, Mulgrave Vic 3170 Customer Service: 1800 124 125 (Australia) or 0800 945 995 (New Zealand) or via Customer Help at kmart.com.au	Target Australia Pty Ltd C/- Customer Service Centre 2 Kendall Street, Williams Landing, Vic, 3027 Customer Service: 1300 753 567 or via Customer Help at target.com.au/help/contact-us