

# Assembly Instructions

## 43395439 BLAKE ROUND SIDE TABLE

### CARE INSTRUCTIONS:

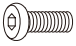

WIPE CLEAN WITH A DRY CLOTH. DO NOT USE ABRASIVE MATERIALS AND SOLVENTS. CHECK AND TIGHTEN ALL PARTS REGULARLY. DO NOT PLACE HOT ITEMS SUCH AS COFFEE CUPS DIRECTLY ON THE SURFACE. KEEP AWAY FROM WATER AND DIRECT SUNLIGHT. STORE IN A DRY PLACE. FOR DOMESTIC USE ONLY. FOR INDOOR USE ONLY. A MILD ODOUR MAY BE PRESENT WHEN FIRST OPENING THIS CARTON. SIMPLY ALLOW TO AIR OUTSIDE AND THIS WILL FADE.

### WARNING:




DO NOT STAND, SIT OR LEAN ON THE UNIT. DO NOT USE THIS AS A STEP LADDER. ENSURE THIS UNIT IS USED ONLY ON A FLAT SURFACE. DO NOT USE THIS UNIT UNLESS ALL BOLTS AND SCREWS ARE FIRMLY SECURED. CONTAINS SMALL PARTS, IT IS TO BE ASSEMBLED BY AN ADULT.

**MAXIMUM SAFE LOAD: TOP: 5KG; SHELF: 5KG.**

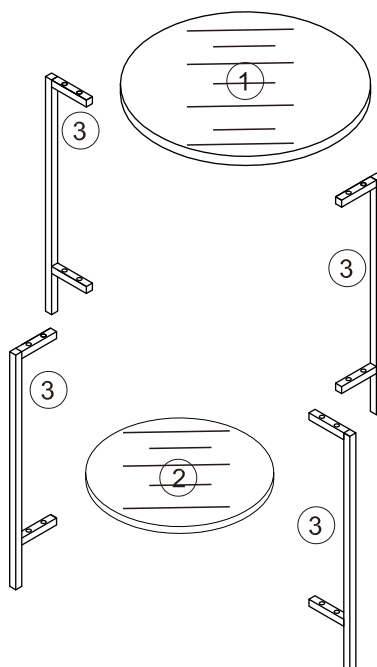
### 1 Hardware List

	A	M6x20mm	16pcs		B		1pc
--	---	---------	-------	--	---	--	-----

### 2 Parts List

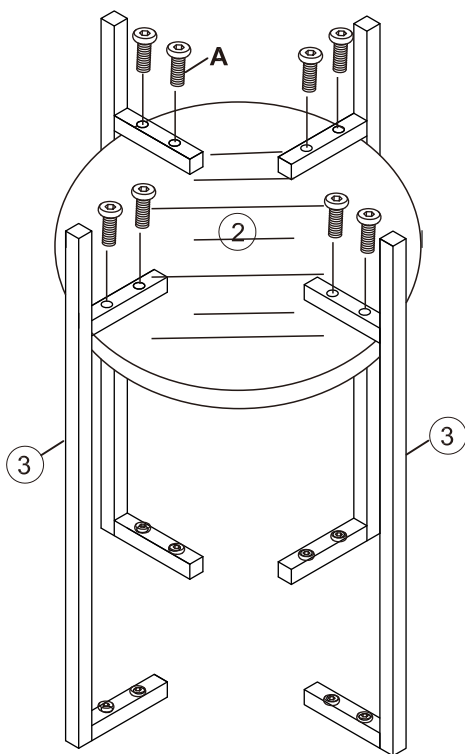
					
①	1pc	②	1pc	③	4pcs

### 3

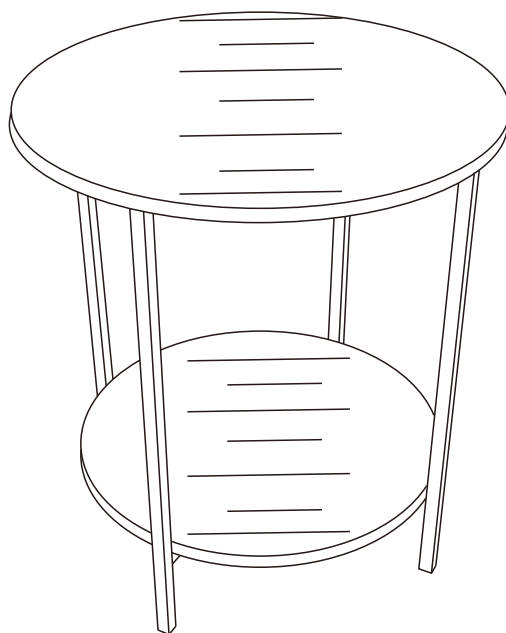
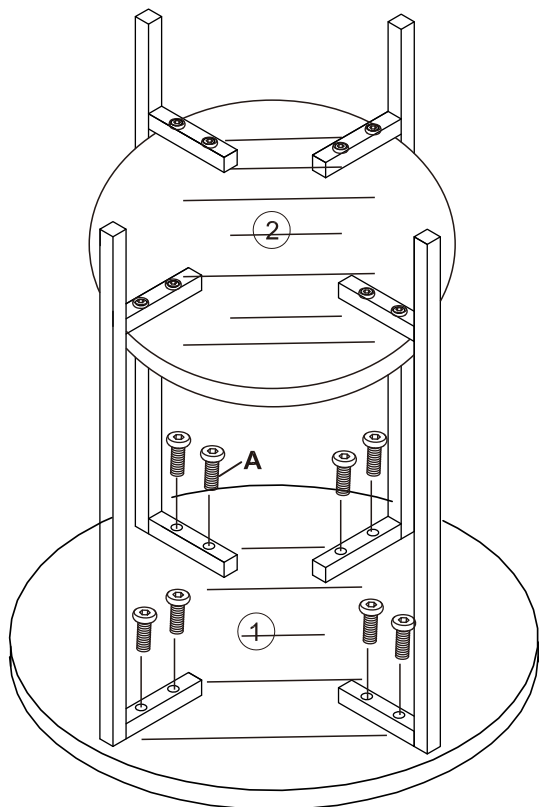


**ATTENTION:**  
DO NOT TIGHTEN THE SCREWS FULLY DURING ASSEMBLY. FULLY TIGHTEN SCREWS AFTER THE FINAL ASSEMBLY STEP.

STEP 1 A -  x 8 B -  x 1



STEP 2 A -  x 8 B -  x 1



Remark: Please keep the stripes on the panels in the same direction.