

Instruction Manual

Over The Rail Airing

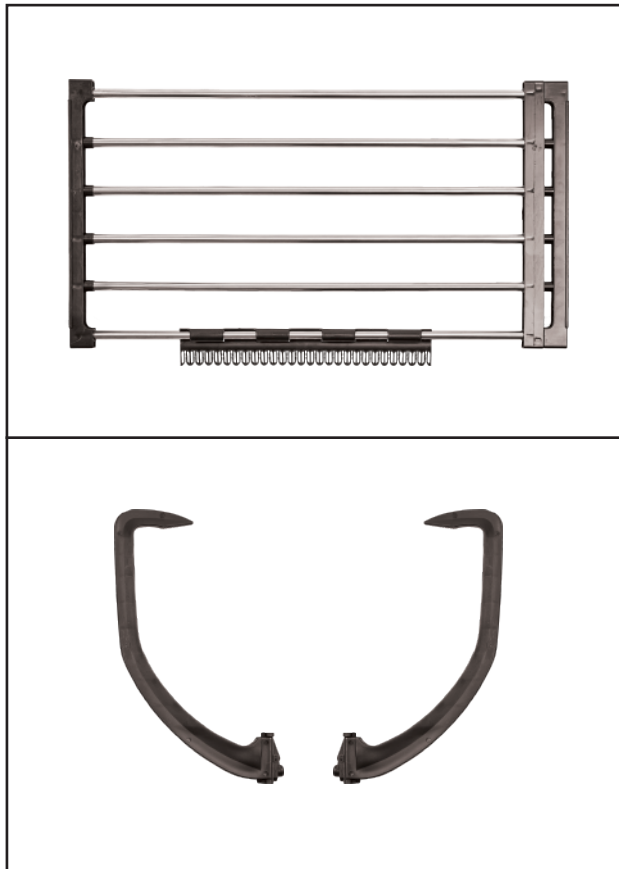
K:43-392-780 | T:69-357-893

CARE INSTRUCTION: WIPE CLEAN WITH A SOFT DRY OR DAMP CLOTH. KEEP AWAY FROM WATER AND DIRECT SUNLIGHT. FOR INDOOR AND DOMESTIC USE. CHECK AND TIGHTEN ALL PARTS REGULARLY.

WARNING: DO NOT STAND ON THE UNIT. DO NOT LEAN ON THE PRODUCT. THIS PRODUCT CONTAINS SMALL PARTS AND SHARP POINTS, KEEP AWAY FROM CHILDREN AND BABIES. ADULT ASSEMBLY REQUIRED. FAILURE TO FOLLOW THESE WARNINGS COULD RESULT IN SERIOUS INJURY.

MAXIMUM TOTAL LOADING WEIGHT: MAXIMUM LOADING WEIGHT: 7kg.

Hardware list



STEP 1



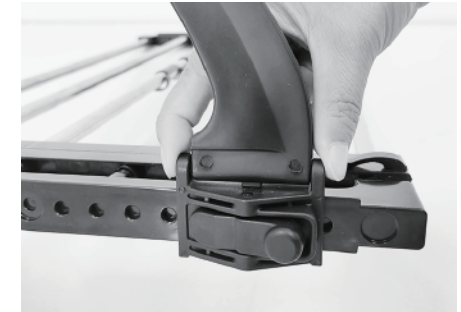
Align it with the slot and push it in

STEP 2



Press and hold the button to move the position

STEP 3



Adjust to fit, button switch into slot

