

Assembly Instructions

K: 43389216 | T: 69299469 CLEAR 3 TIER SHOE RACK

CARE INSTRUCTION:

WIPE CLEAN WITH A SOFT DRY OR DAMP CLOTH.





FOR INDOOR USE ONLY.


WARNING:

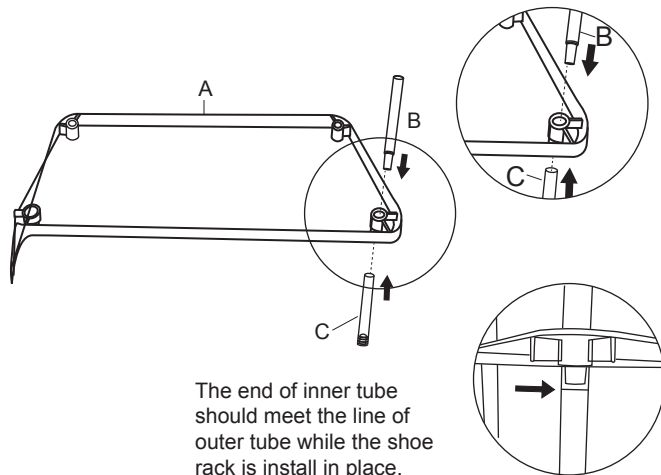
THIS PACKAGE CONTAINS SMALL PARTS, KEEP UNASSEMBLED PARTS AWAY FROM CHILDREN AND BABIES.

MAXIMUM SAFE LOAD: 3KG PER TIER


Hardware List

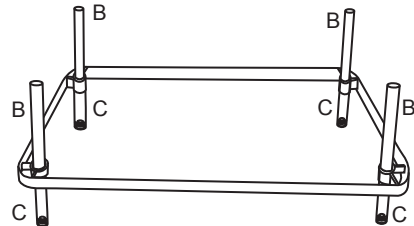
	A	3PCS		C	4PCS
	B	8PCS		D	4PCS


STEP 1 

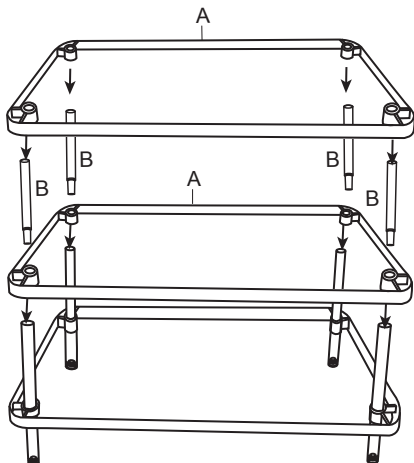



The end of inner tube should meet the line of outer tube while the shoe rack is install in place.

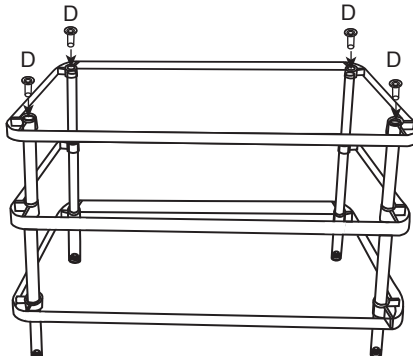
STEP 2 



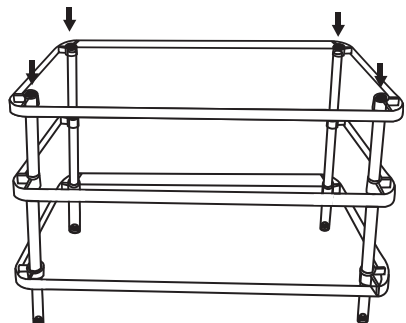
STEP 3 



STEP 4 



STEP 5



After the product is fully assembled, please press each corner down till the shoe rack is install in place.