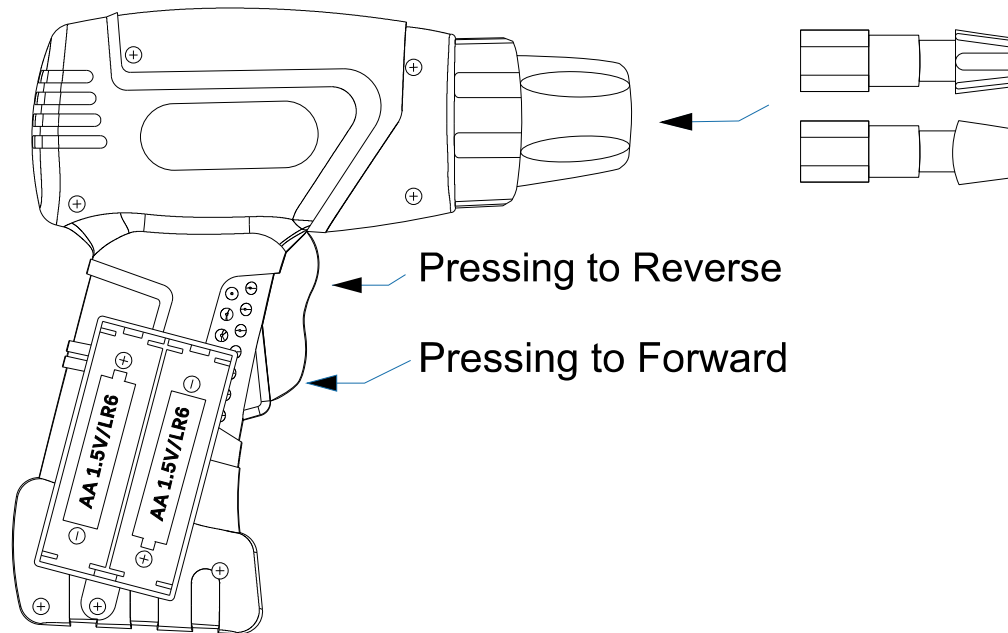


Wooden Tool Tray

Flathead and Philips Drill bits for change



Warning:

- Battery charging must be by an adult only.
- Batteries are to be inserted with the correct polarity.
- Non-rechargeable batteries are not to be recharged.
- Rechargeable batteries are to be removed from the toy before being charged.
- Rechargeable batteries are only to be charged under adult supervision.
- The electric toy is intended to be assembled by an adult.
- Different types of batteries or new and used batteries are not to be mixed.
- Only batteries of the same or equivalent type as recommended are to be used.
- Exhausted batteries are to be removed from the toy.
- The supply terminals are not to be short-circuited.
- Always remove batteries if the toy is not to be used at the same time.
- Used batteries and broken electric and electrical and electronic products must be disposed of at an approved collection point. Such products must not be thrown away with household refuse.
- Protect the toys from water or dampness.

Please retain this instruction for future reference!
The screwdriver is not included.

Inserting the batteries:

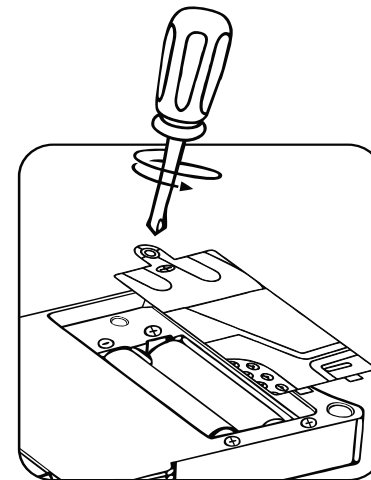
This electric screwdriver is powered by 2xAA 1.5V batteries.
Use a screwdriver to open the battery compartment cover on the handle (see illustration).
Always position new batteries as shown (+/-) then close the cover and tighten the screw.

WARNING: FOR SAFETY REASONS,
REMOVE ALLTAGS, LABELS AND
PLASTIC FASTENERS BEFORE
GIVING THIS TOY TO YOUR CHILD.

! WARNING: CHOKING HAZARD
SMALL PARTS. NOT SUITABLE FOR CHILDREN UNDER 3 YEARS.

ADULT SUPERVISION REQUIRED.
PRODUCT MAY VARY FROM IMAGE SHOWN.
PLEASE KEEP THE PACKAGING FOR FUTURE REFERENCE.

MADE IN CHINA
FOR AU/NZ: IMPORTED FOR KMART
STORES IN AUSTRALIA AND NEW ZEALAND.



This item does not include the battery

K:43-387-533
T: 69-554-308
MADE IN CHINA

Customer Service:
KMART AU: 1800 124 125
KMART NZ: 0800 945 995
TARGET AU: 1300 753 567