

# INSTRUCTIONS

## AIR-DRY CLAY - FOOD TRUCK

### SUPPLIES INCLUDED

- Flat pack food truck
- Flat pack menu board
- Flat pack hamburger box
- Flat pack hot dog box
- 2 x sculpting tools
- 5 x bags of air-dry clay

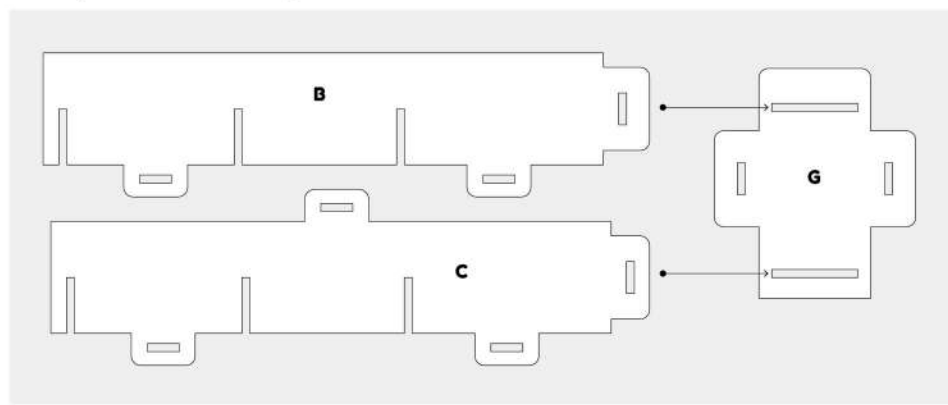
### BEFORE YOU BEGIN.

- Adult supervision and assistance may be required.
- Cover working surface with a cloth.
- Carefully pop out die cut pieces from flat pack sheets.

### HOW TO ASSEMBLE THE FOOD TRUCK

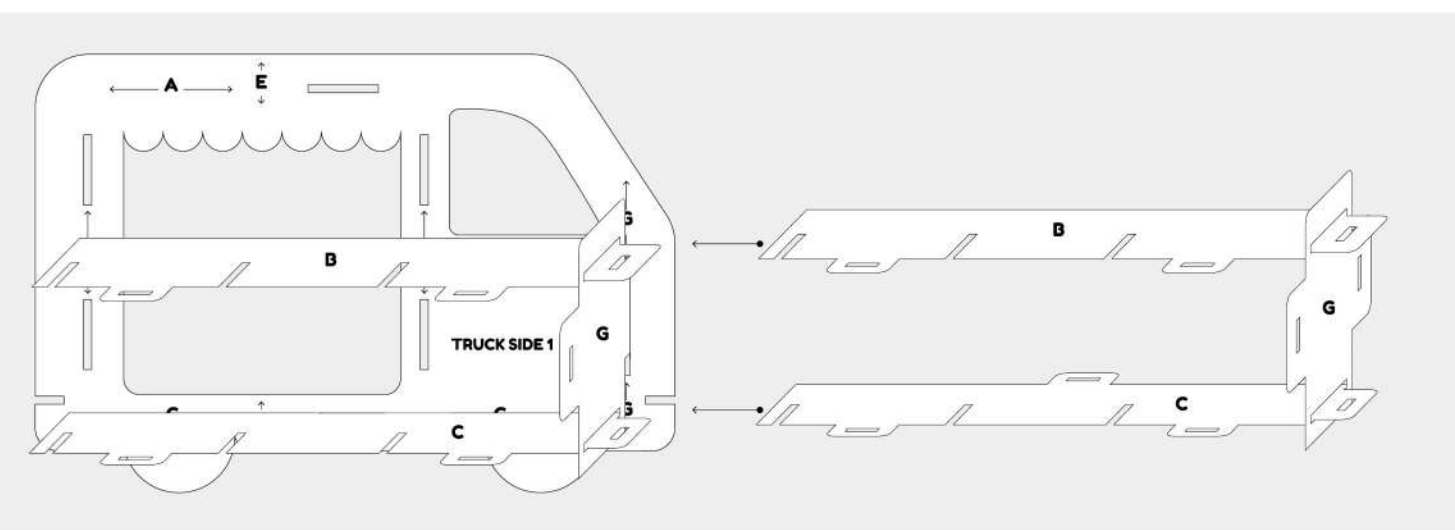
#### STEP 1

Insert pieces B and C into piece G.



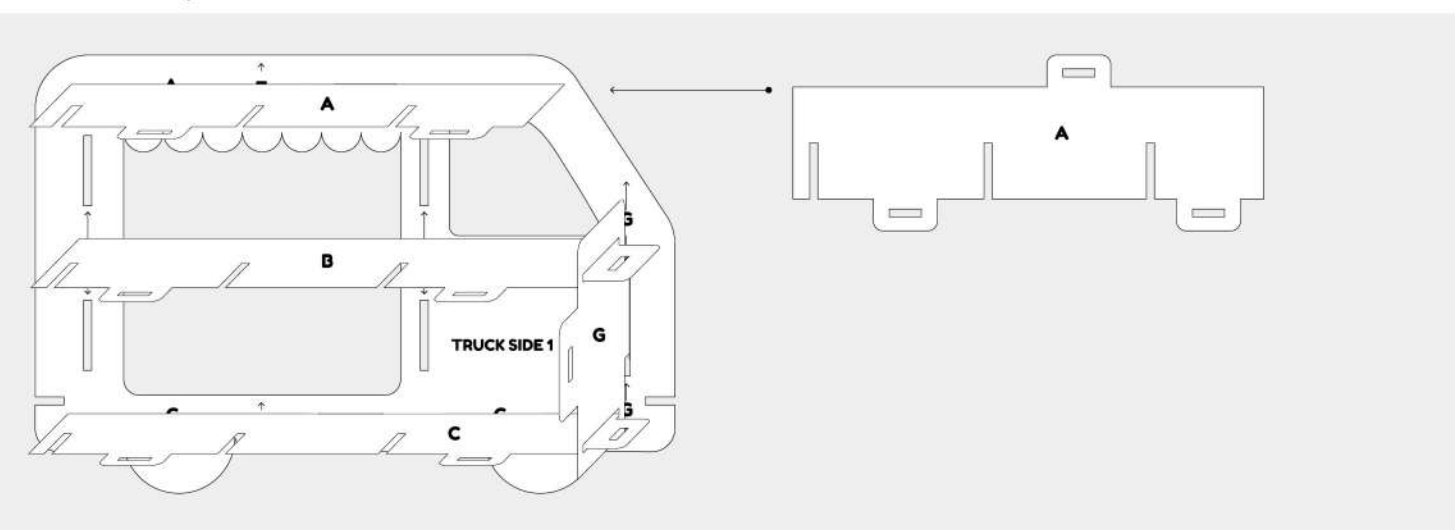
#### STEP 2

Insert into truck side 1.



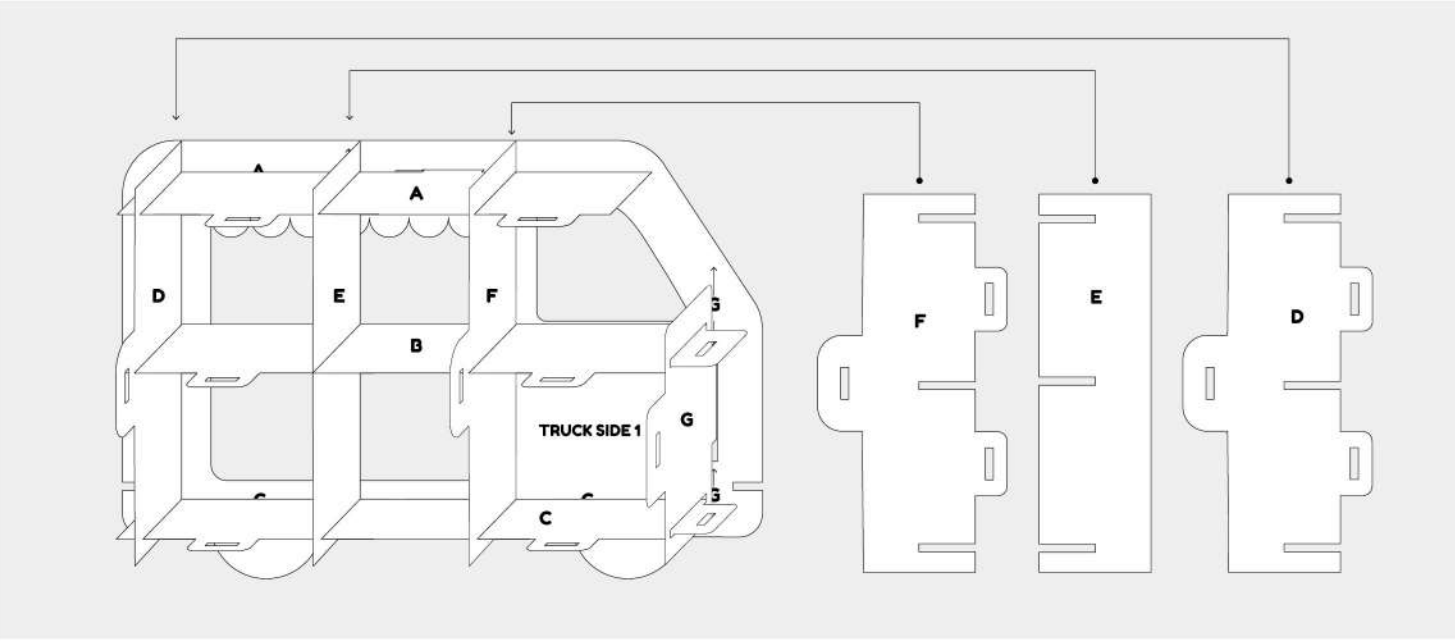
#### STEP 3

Insert horizontal piece A into truck side 1.



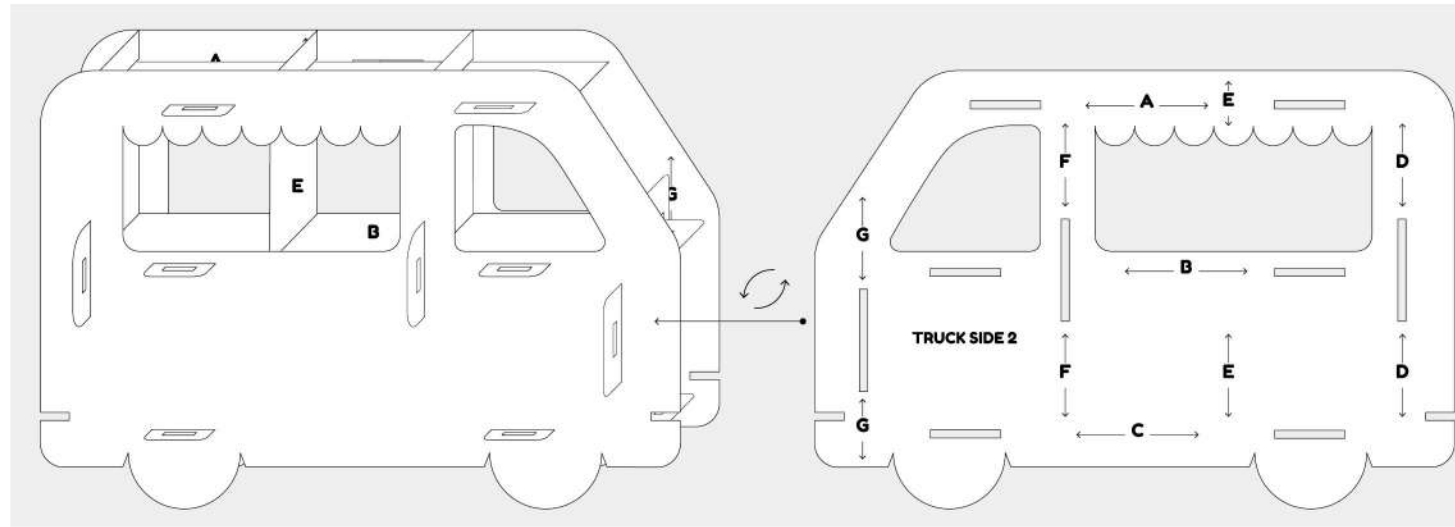
#### STEP 4

Insert vertical pieces D, E and F into truck side 1, locking into the horizontal pieces.



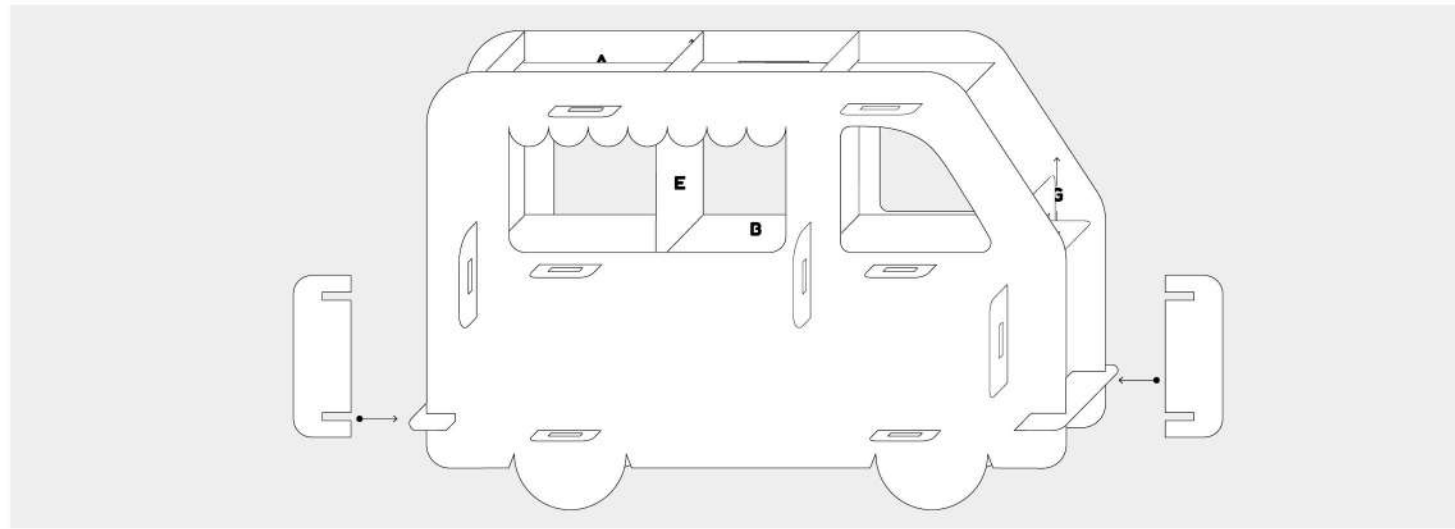
#### STEP 5

Place truck side 2 onto the top of the inner pieces. Now your truck should have 2 sides.



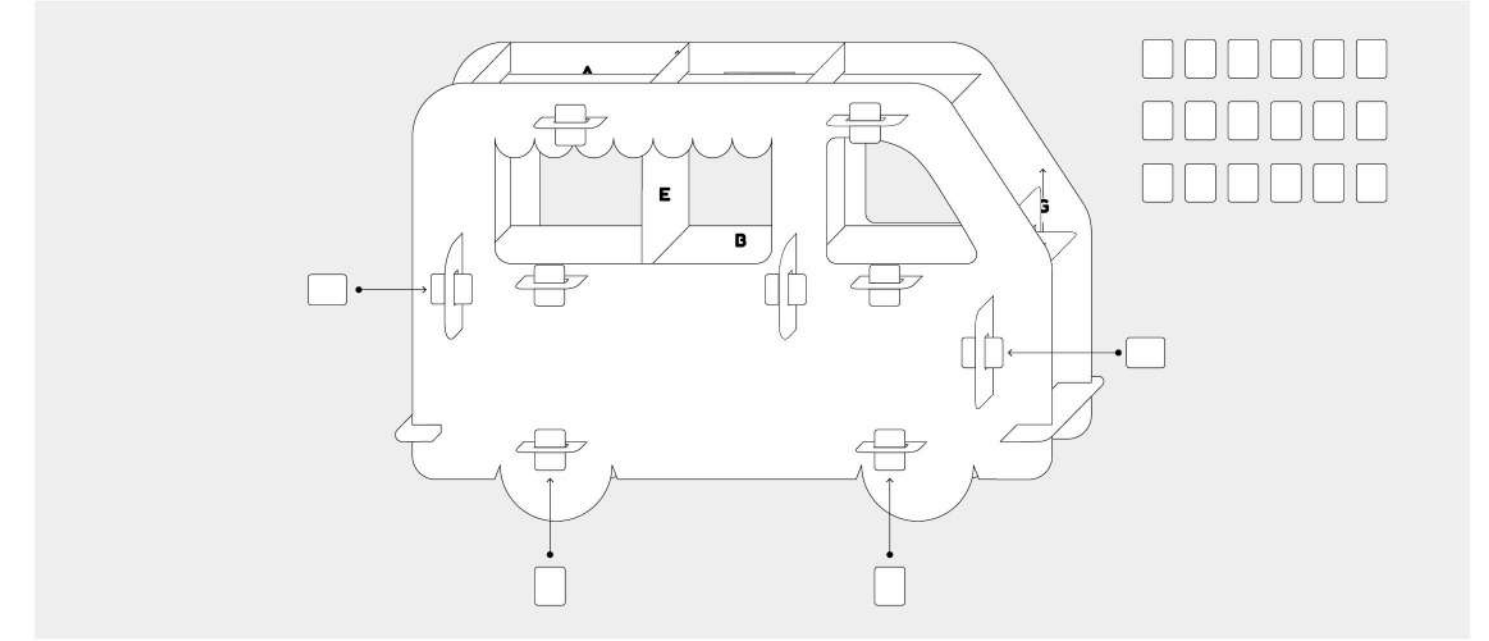
#### STEP 6

Slot front and back bumper pieces into place as per below. This will secure the 2 sides of the truck.



#### STEP 7

Secure truck into place by inserting tab pieces into slots. This will lock sides to secure the truck.



### TIPS FOR USING AIR DRY CLAY

**KNEAD:** Before you start modeling, knead the clay using the palm of your hands. This will make the clay more pliable and easier to shape. To knead a larger amount of clay, use the palm of your hands and for smaller amounts, knead with your thumb and index finger.

**TO CREATE LONG CYLINDRICAL SHAPES:** Knead the clay into a round ball, then place it between your hands. Rub it back and forth to make the clay grow into a cylindrical sausage shape. To create thinner strips, place the clay on the palm of your left hand and rub it with the index and middle finger of your right hand.

**COMBINE:** To sticker 2 pieces of clay together, simply press one piece onto another piece of clay. This could be assisted with a tiny amount of water or tools provided in the kit. Avoid using too much water as tiny cracks may form as the clay dries.

**MIX:** Combine two different colours together and knead to create new colours. Try different combinations to make different colours and shades.

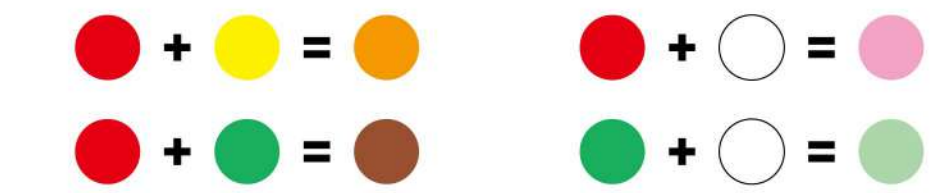
**STRENGTHEN:** Your clay project can be strengthened with match sticks, eg. for connecting a head to a body.

**CUT:** Use the provided sculpting knife to cut the clay into shapes, such as hot dog or fries.

**DRY:** Most clay projects will dry within 24-48 hours.

**SEAL BAGS AFTER USE:** After use, seal the bags securely with some tape and store in a cool place away from sunlight.

### MIXING GUIDE



\*ADD A LITTLE BIT OF WHITE TO LIGHTEN COLOURS.

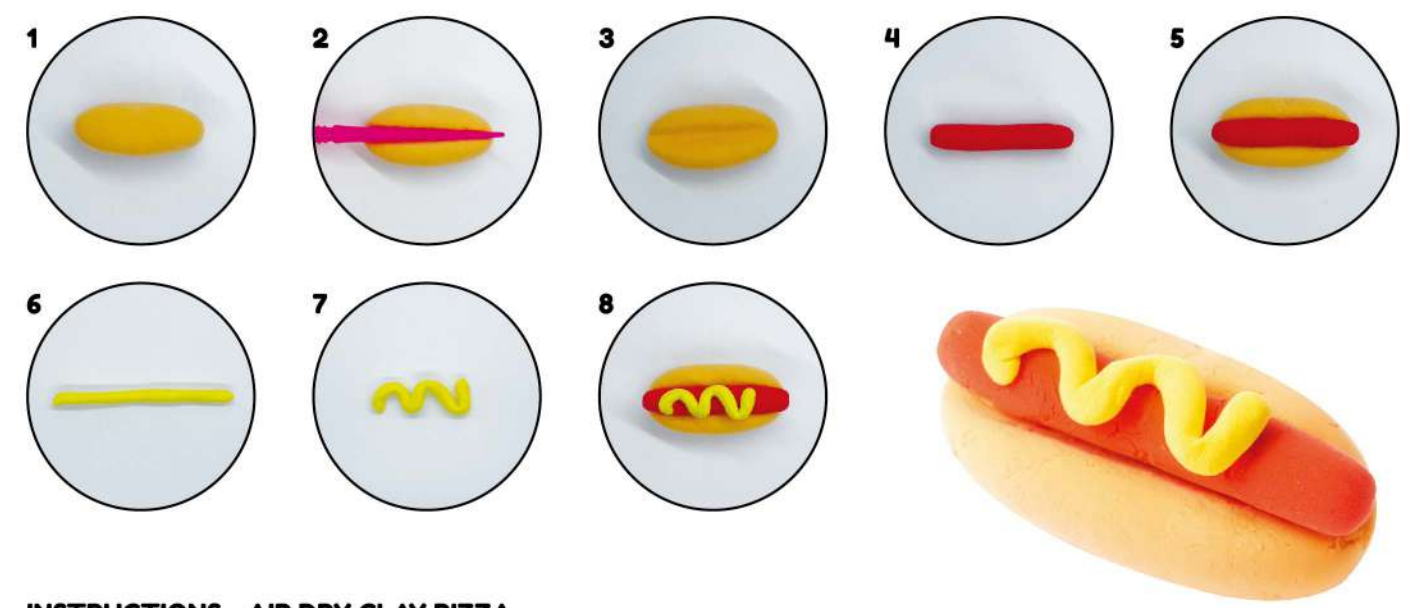
**DO NOT INGEST OR SWALLOW.**

**WARNING:** CHOKING HAZARD - Not suitable for children under 3 years due to small parts

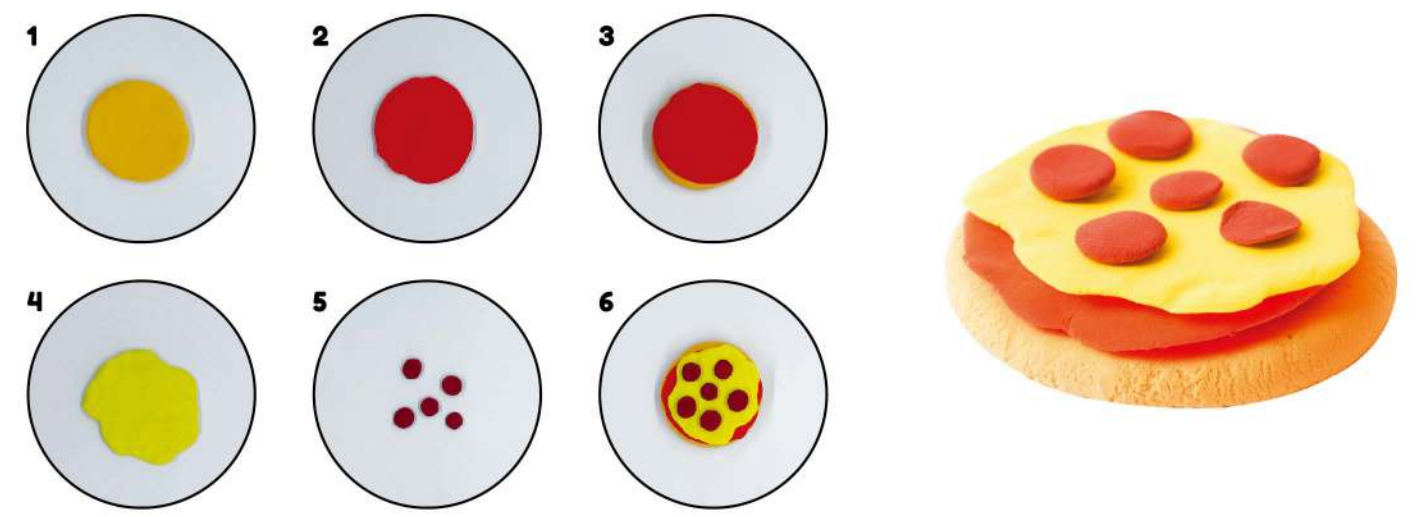
**WARNING:** This product contains functional sharp point. Please use as intended.

**WARNING:** USE UNDER DIRECT ADULT SUPERVISION. WASH HANDS AFTER USE. AIR DRY CLAY MAY STAIN PERMANENTLY. DO NOT PLACE DIRECTLY ON FURNISHINGS OR OTHER SURFACES TO DRY.

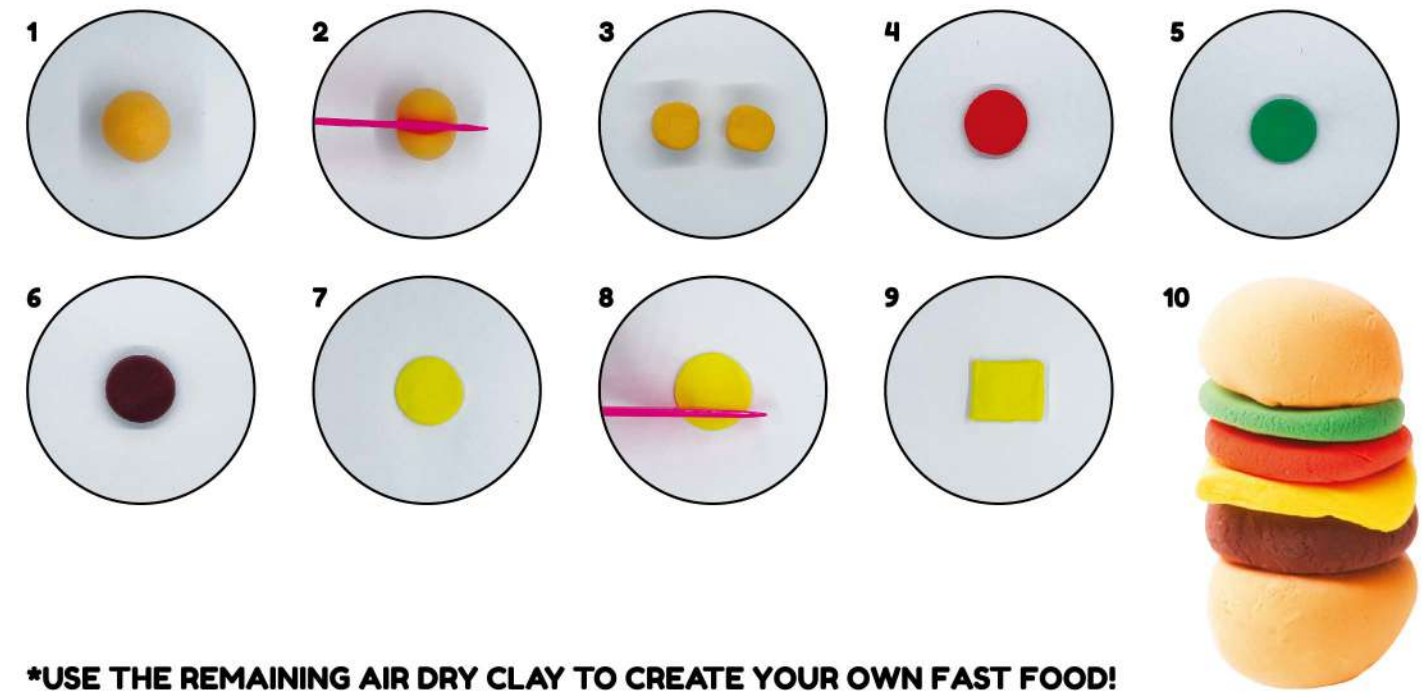
### INSTRUCTIONS - AIR DRY CLAY HOT DOG



### INSTRUCTIONS - AIR DRY CLAY PIZZA



### INSTRUCTIONS - AIR DRY CLAY HAMBURGER



\*USE THE REMAINING AIR DRY CLAY TO CREATE YOUR OWN FAST FOOD!