

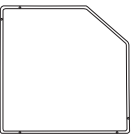
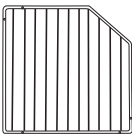



Assembly Instructions

43378807-BLACK 3 TIER CORNER PANTRY SHELF

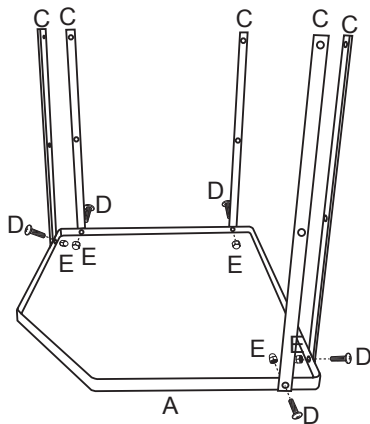
WARNING: Please read this instruction carefully on assembling. Ensure you have all parts listed before commencing assembly. This product contains small parts, keep away from children and babies. Adult assembly required. Do not use until all screws and nuts are firmly secured. Failure to follow these warnings could result in serious injury.

MAXIMUM LOADING WEIGHT: 2KG/EACH SHELF.

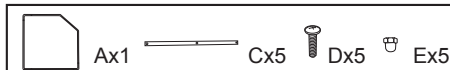
Hardware list

					
A	1 PC	B	2 PCS	C	5 PCS
					
D	15 PCS	E	15 PCS		

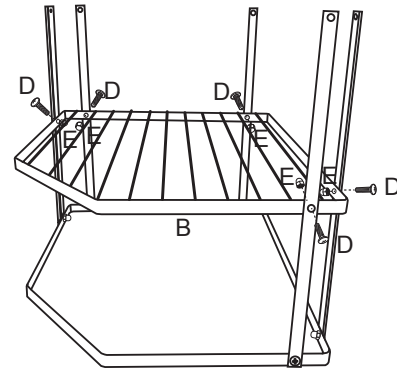
STEP 1



Don't tighten the screws and nuts until fully assembling.



STEP 2



STEP 3

