

# INSTRUCTION MANUAL

## TEXTURED FLOATING SHELF

**K: 43-366-002 | T: 68-955-762**

Please read instructions carefully. Ensure you have all parts before you begin to assemble. Assemble shelf on a clean, flat surface such as carpet to avoid scratching.

**Attention:**

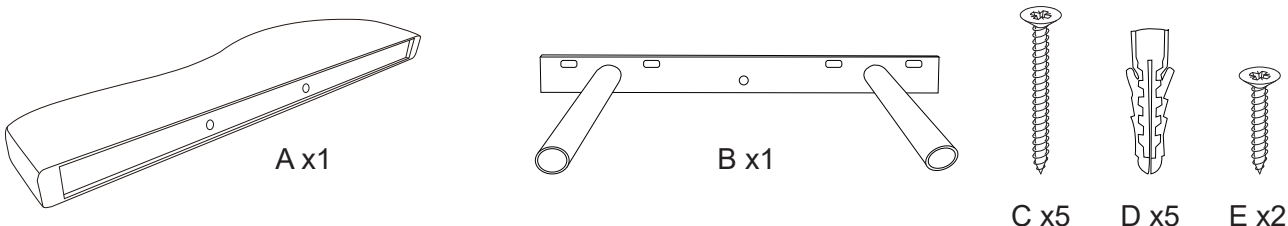
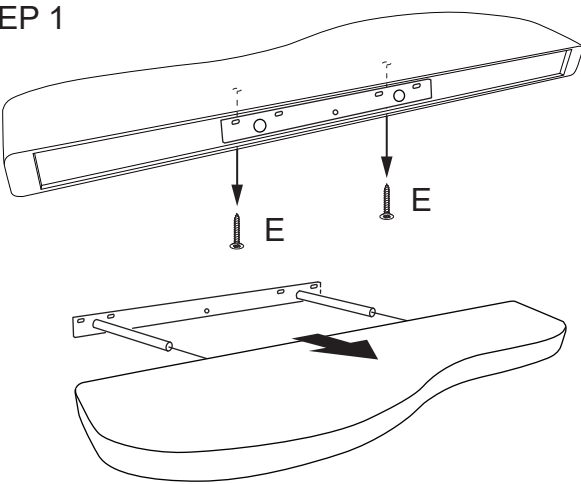
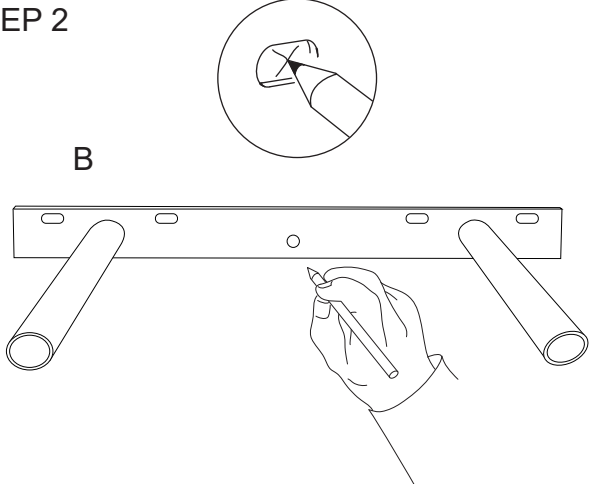
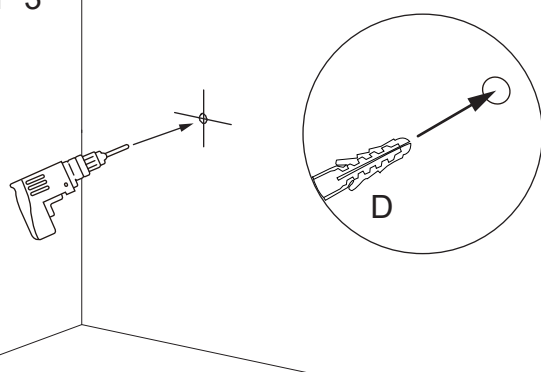
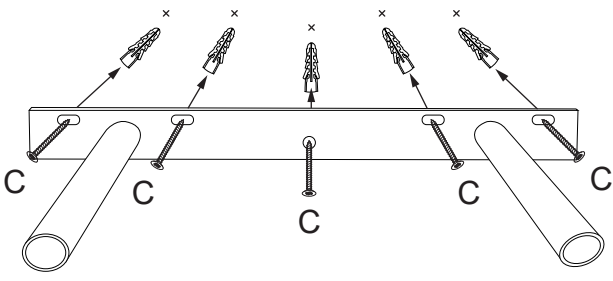
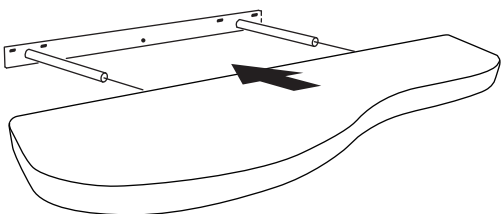
- Once the product is assembled all fittings should be fully tightened.
- We recommend a periodic check on all fixing points to make sure they remain fully tightened.
- Do not fully tighten the screws before all screws are in place.

This package contains small parts and sharp points, keep away from children and babies until assembly is complete.

**Max safe load limit: 2 kg**

**Care Instructions:**

Wipe clean with a soft damp or dry cloth. Never clean with chemical cleaners.

 <p style="text-align: center;">A x1                      B x1                      C x5    D x5    E x2</p>	
<p><b>STEP 1</b></p> 	<p><b>STEP 2</b></p> 
<p><b>STEP 3</b></p> 	<p><b>STEP 4</b></p> 
<p><b>STEP 5</b></p> 	<p><b>STEP 6</b></p> 