






# Assembly Instructions

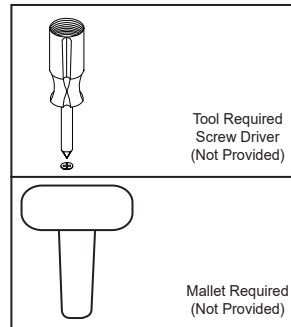
**K: 43-340-828 | T: 68-727-277 2 WIRE DRAWER NARROW UNIT**

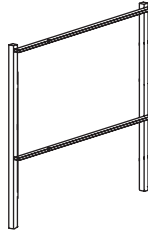
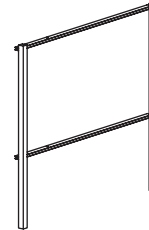
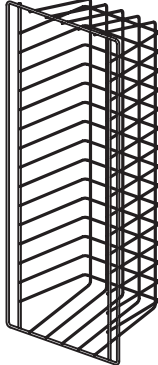


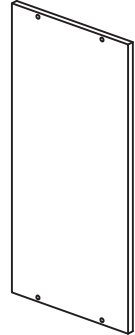
ATTENTION: While assembling sections D and E and using a mallet, plastic chips may be released, this is normal and should not be of concern. Place either cardboard or a blanket on the floor so that both the floor and the drawer unit will be protected during assembly.

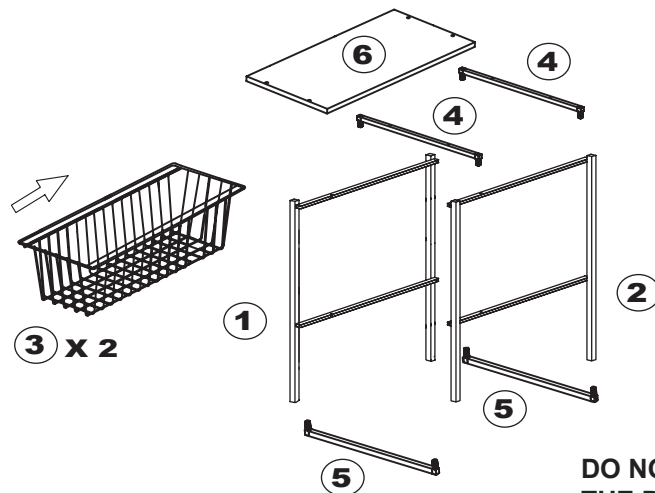
**MAXIMUM SAFE LOADING WEIGHT: 5KG FOR TOP PANEL, 3KG FOR EACH DRAWER.**

## Hardware list

|   |   |         |      |
|---|---|---------|------|
|  | A | Screw   | 4PCS |
|  | B | Nut     | 4PCS |
|  | C | Screw   | 4PCS |
|  | D | Washers | 4PCS |
|  | E | Spanner | 1PC  |

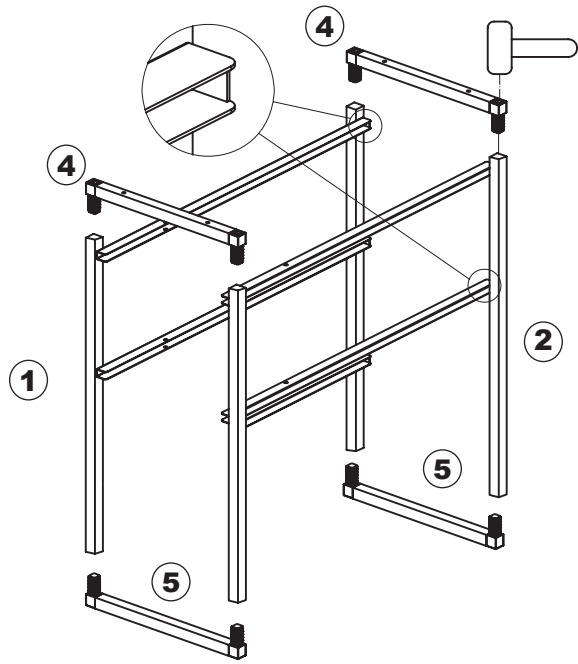


|  |  |   |   |
|--|--|---|---|
|   |   |  |  |
| ① 1PC  | ② 1PC  | ③ 2PCS  | ④ 2PCS  |
|  |  |   |   |
| ⑤ 2PCS   | ⑥ 1PC  |   |   |

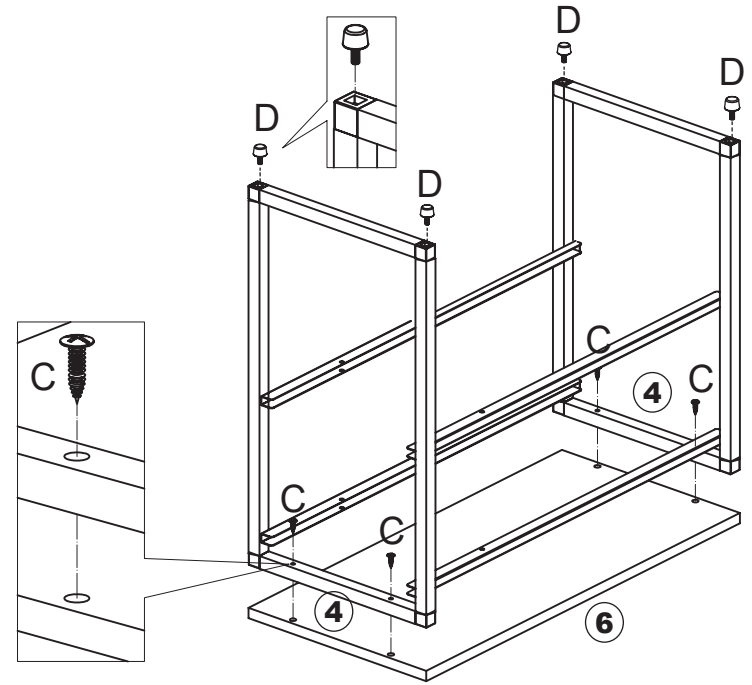


**DO NOT TIGHTEN THE SCREWS UNTIL THE PRODUCT IS FULLY ASSEMBLED. FOR INDOOR USE ONLY.**

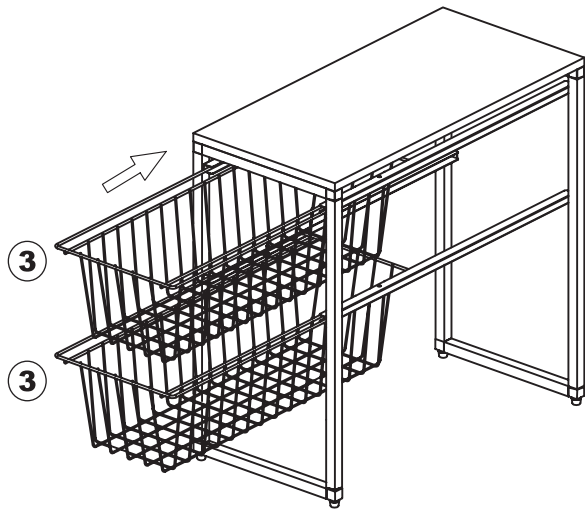
**STEP 1**



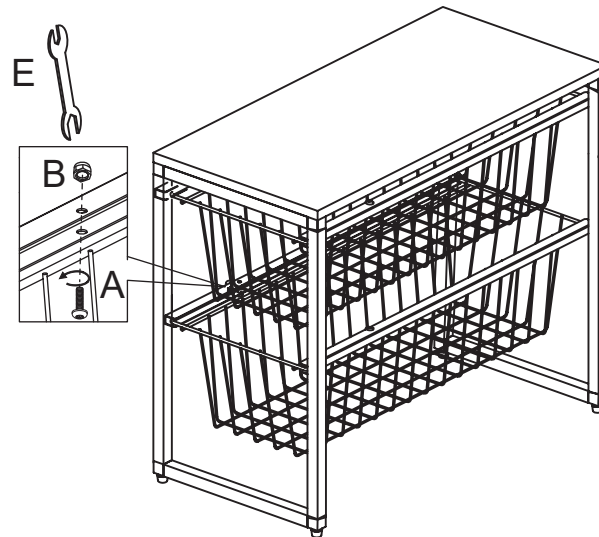
**STEP 2**



**STEP 3**



**STEP 4**



**STEP 5**

