






Assembly Instructions

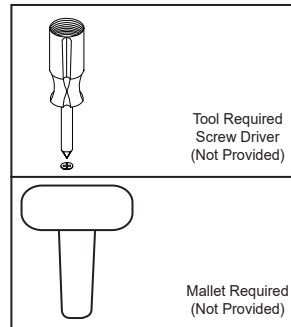
K: 43-340-811 | T: 68-727-291 2 WIRE DRAWER UNIT

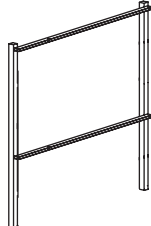
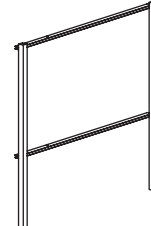



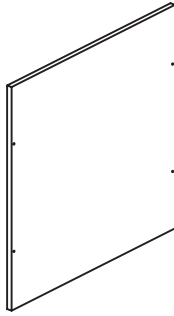
ATTENTION: While assembling sections D and E and using a mallet, plastic chips may be released, this is normal and should not be of concern. Place either cardboard or a blanket on the floor so that both the floor and the drawer unit will be protected during assembly.

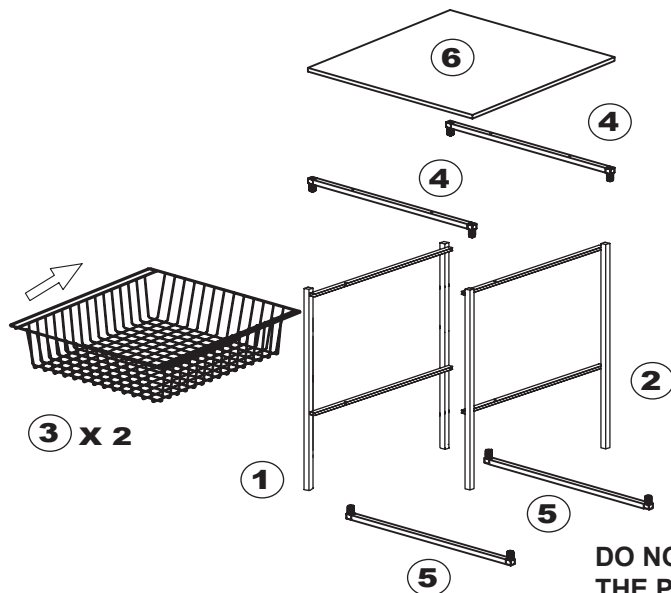
MAXIMUM SAFE LOADING WEIGHT: 10KG FOR TOP PANEL, 5KG FOR EACH DRAWER.

Hardware list

	A	Screw	4PCS
	B	Nut	4PCS
	C	Screw	4PCS
	D	Washers	4PCS
	E	Spanner	1PC

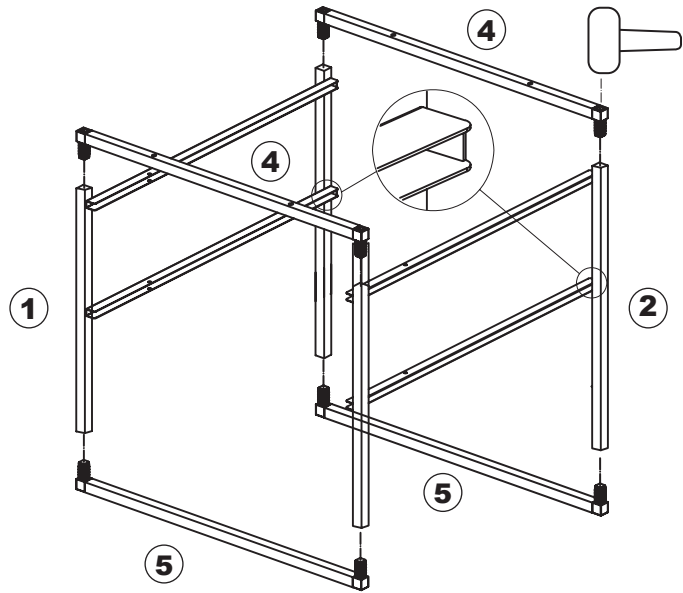


			
① 1PC	② 1PC	③ 2PCS	④ 2PCS
			
⑤ 2PCS	⑥ 1PC		

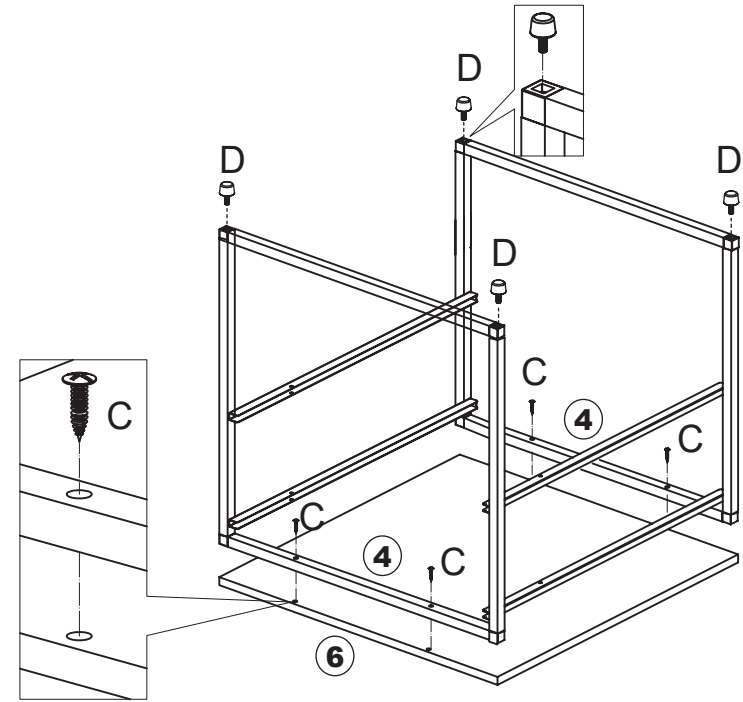


DO NOT TIGHTEN THE SCREWS UNTIL THE PRODUCT IS FULLY ASSEMBLED. FOR INDOOR USE ONLY.

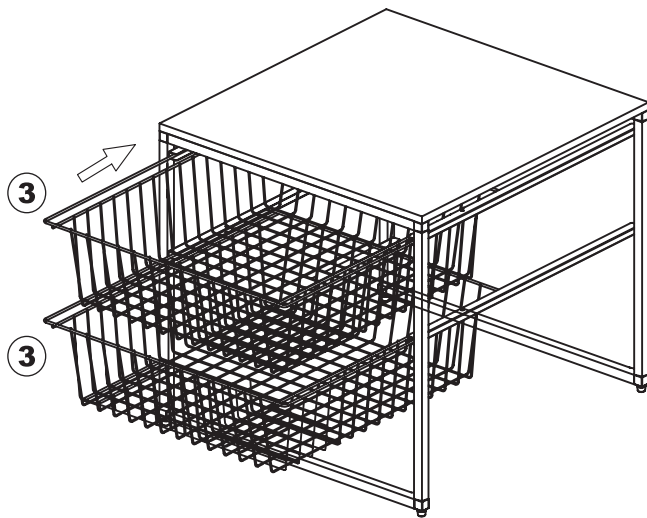
STEP 1



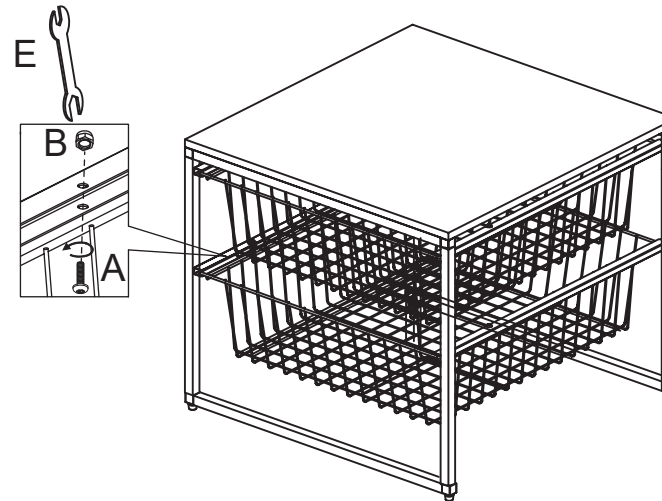
STEP 2



STEP 3



STEP 4



STEP 5

