

Assembly Instructions

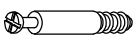


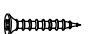
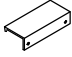

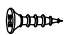


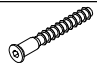

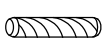




43333752 ISLA DESK

CARE INSTRUCTIONS: TO BE ASSEMBLED ON A CLEAN, DRY AND SMOOTH SURFACE. WIPE CLEAN WITH A SOFT DAMP CLOTH. NEVER USE SCOURERS, ABRASIVES OR CHEMICAL SOLVENTS. CHECK AND TIGHTEN ALL PARTS REGULARLY. KEEP AWAY FROM MOISTURE AND DIRECT SUNLIGHT. STORE IN A DRY PLACE. FOR INDOOR USE ONLY.

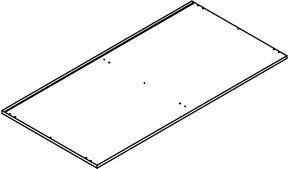
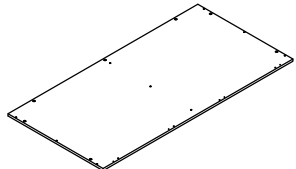
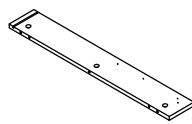
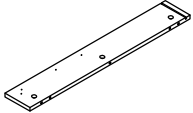
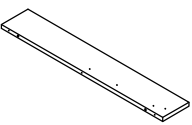
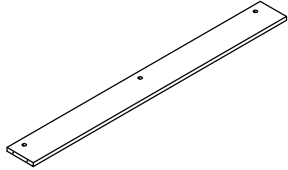
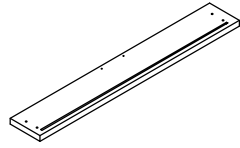
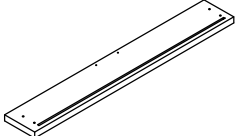
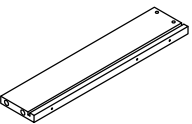
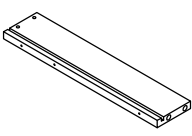
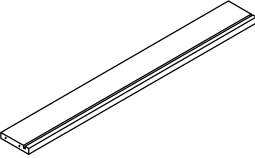
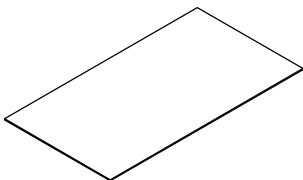
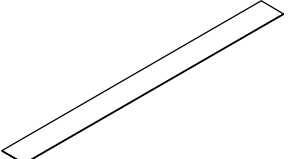
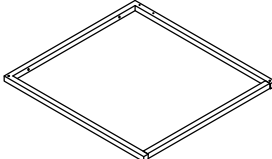
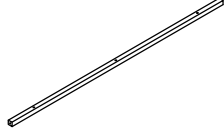
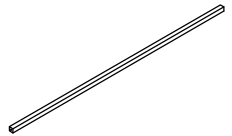
WARNING: DO NOT STAND, SIT OR LEAN ON THIS UNIT. DO NOT USE THIS TABLE AS A STEP LADDER OR AS A CHOPPING SURFACE. ENSURE THIS TABLE IS USED ONLY ON A FLAT SURFACE. DO NOT USE THIS TABLE UNLESS ALL BOLTS AND SCREWS ARE FIRMLY SECURED. KEEP AWAY FROM CHILDREN AND BABIES. THIS PACKAGE CONTAINS SMALL PARTS AND SHARP POINTS. ADULT ASSEMBLY REQUIRED. A MILD ODOUR MAY BE PRESENT WHEN FIRST OPENING THIS CARTON. SIMPLY ALLOW TO AIR OUTSIDE AND THIS WILL FADE.

MAXIMUM SAFE LOAD: TOP:30KG DRAWER :5KG.

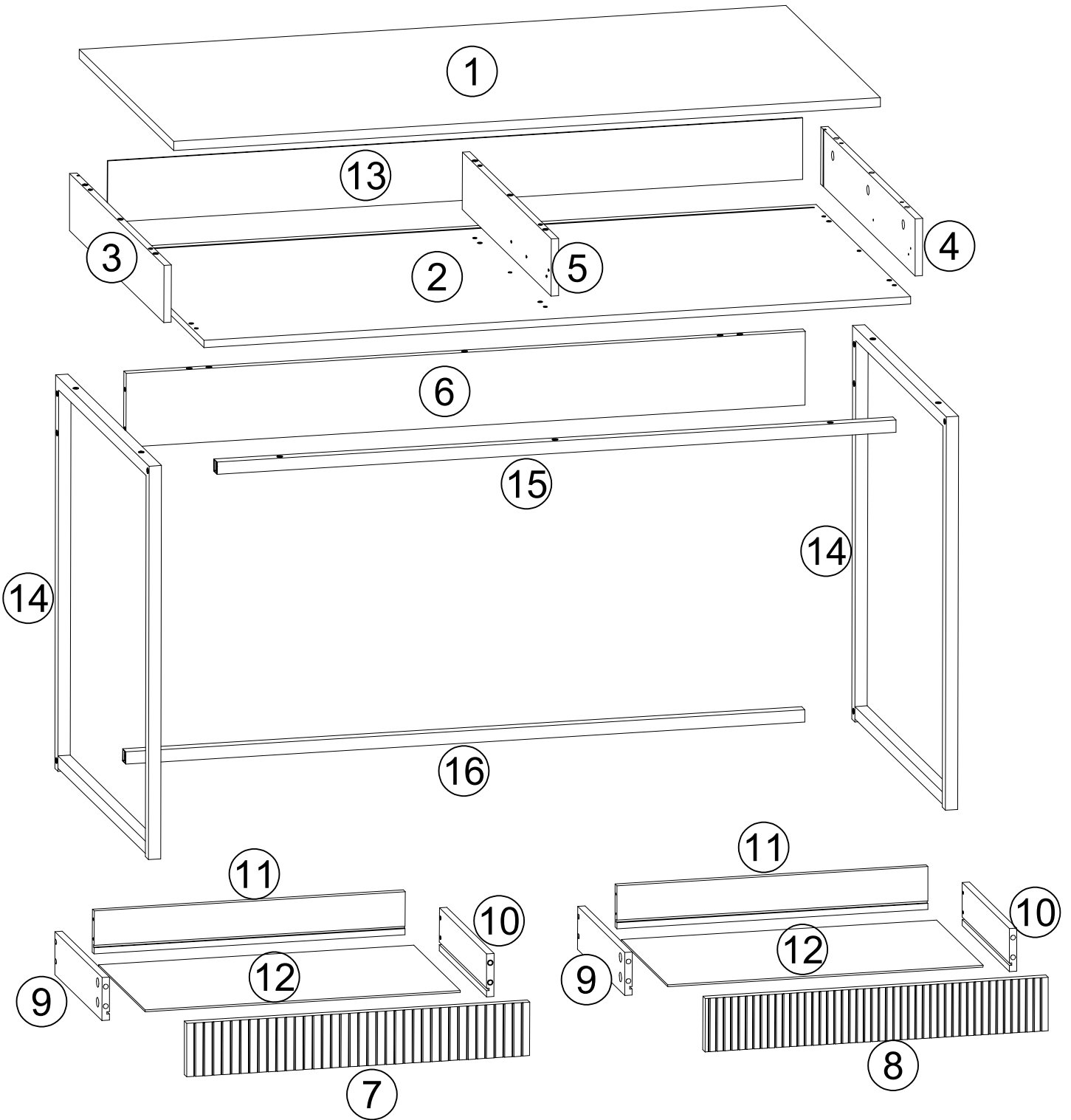
1 Hardware List

	A	M6x35mm	20PCS		B	Ø15x10mm	20PCS		C	Ø6x30mm	12PCS
	D	M4x35mm	17PCS		E		2PCS		F	M4x12mm	4PCS
	G	M3.5x12mm	28PCS		H	M6x40mm	4PCS		I	M6x28mm	7PCS
	J	M7x50mm	4PCS		K	4mm	1PC		L	Ø8x30mm	2PCS
	CL	300mm	2PCS		CR	300mm	2PCS		DL	300mm	2PCS
	DR	300mm	2PCS								

2 Parts List

	①	1pc		②	1pc		③	1pc		④	1pc
	⑤	1pc		⑥	1pc		⑦	1pc		⑧	1pc
	⑨	2pcs		⑩	2pcs		⑪	2pcs		⑫	2pcs
	⑬	1pc		⑭	2pcs		⑮	1pc		⑯	1pc

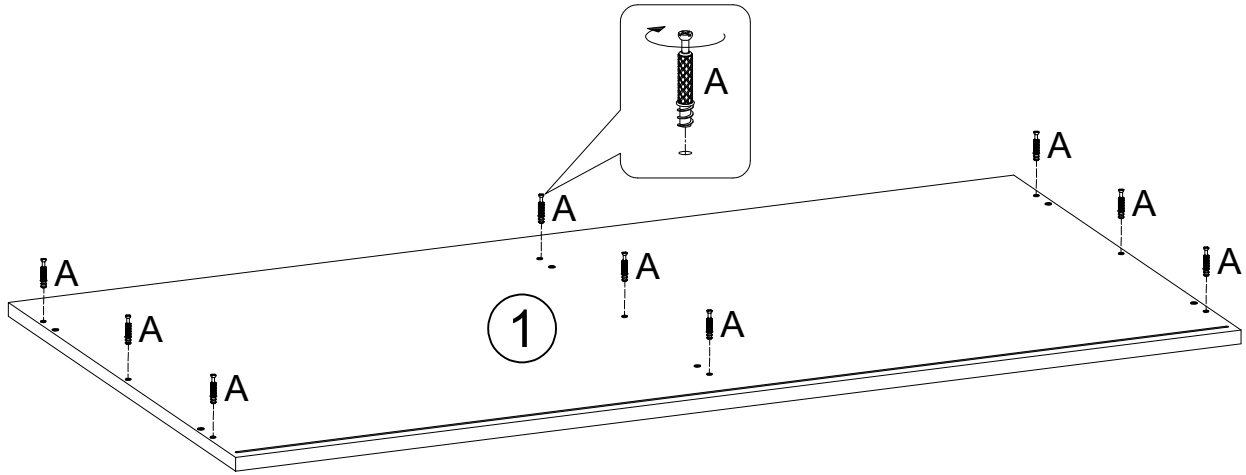
3



ATTENTION: DO NOT TIGHTEN THE SCREWS FULLY DURING ASSEMBLY. FULLY TIGHTEN SCREWS AFTER THE FINAL ASSEMBLY STEP.

STEP 1

A-  x9

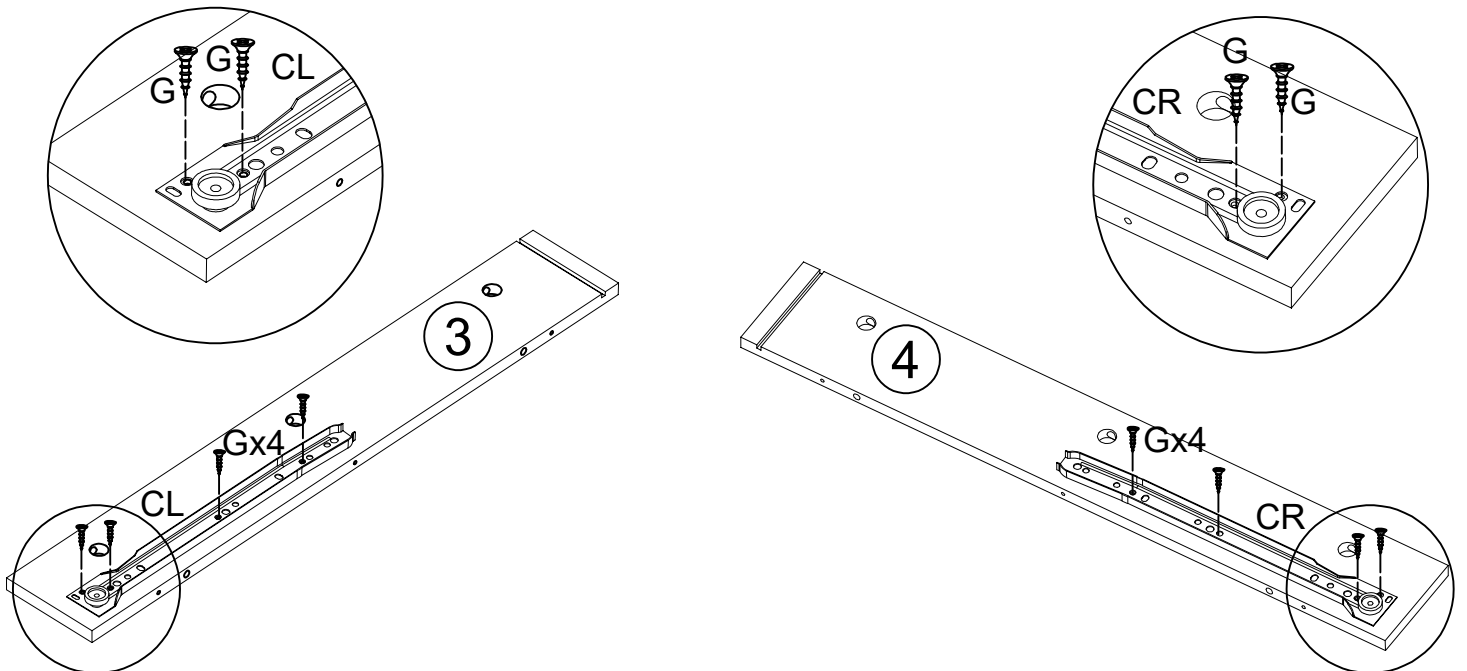


STEP 2

G-  x8

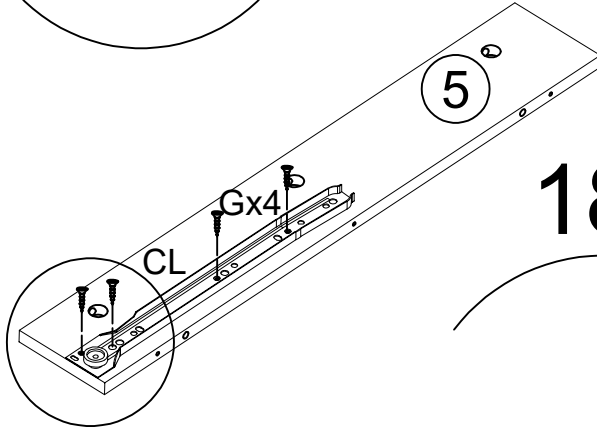
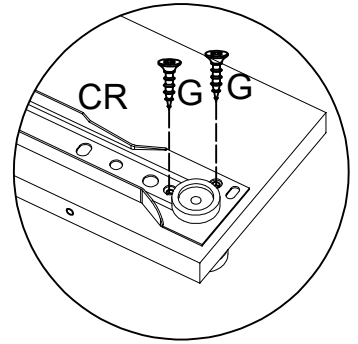
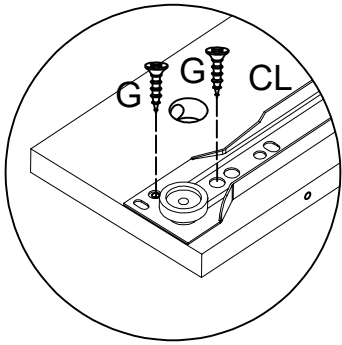
CL-  x1

CR-  x1

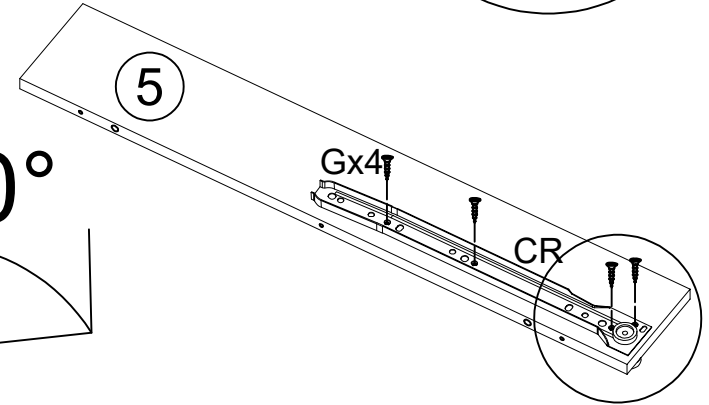


STEP 3

G-  x8 CL-  x1 CR-  x1

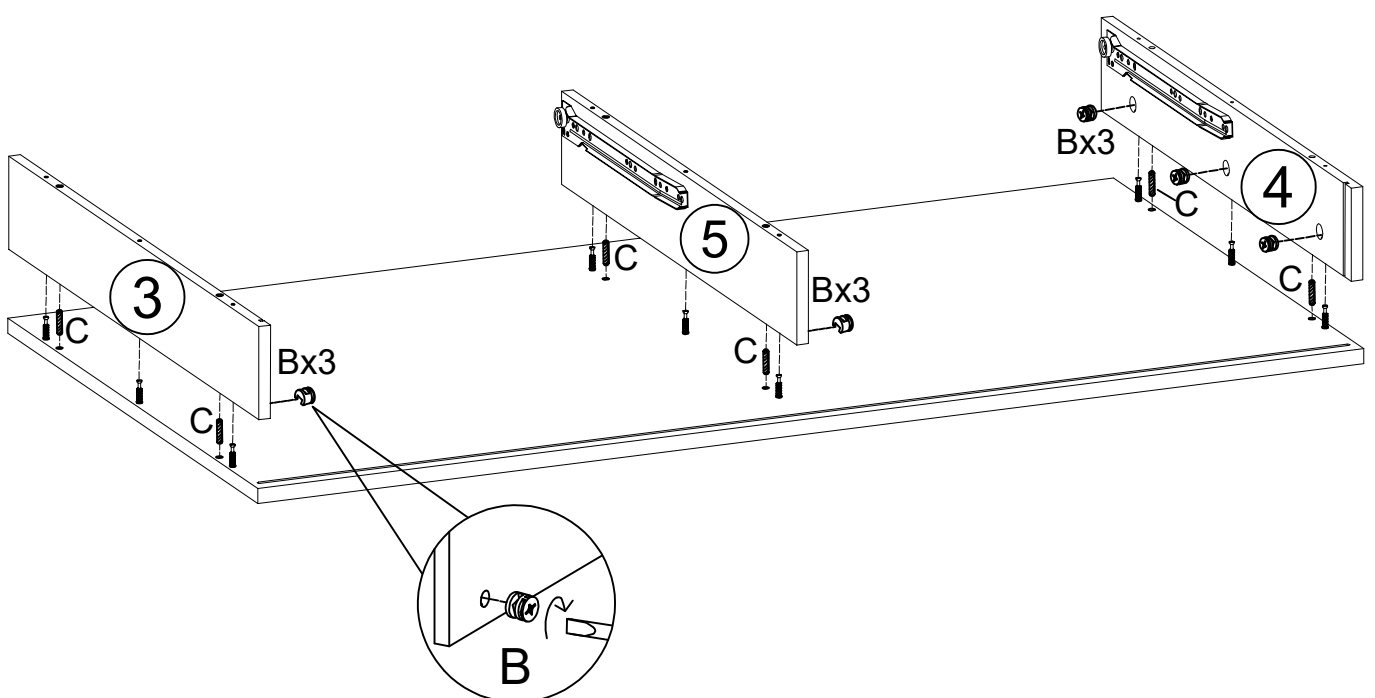


180°

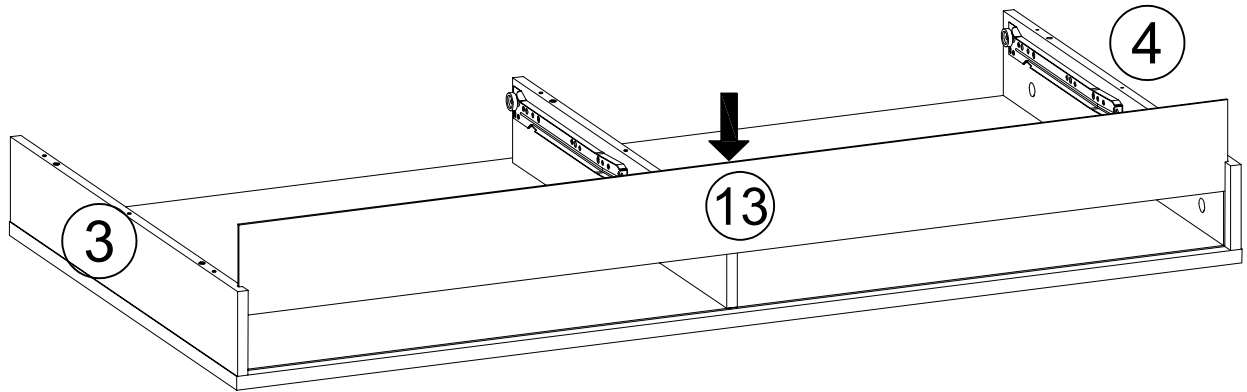


STEP 4


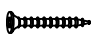
B-  x9 C-  x6

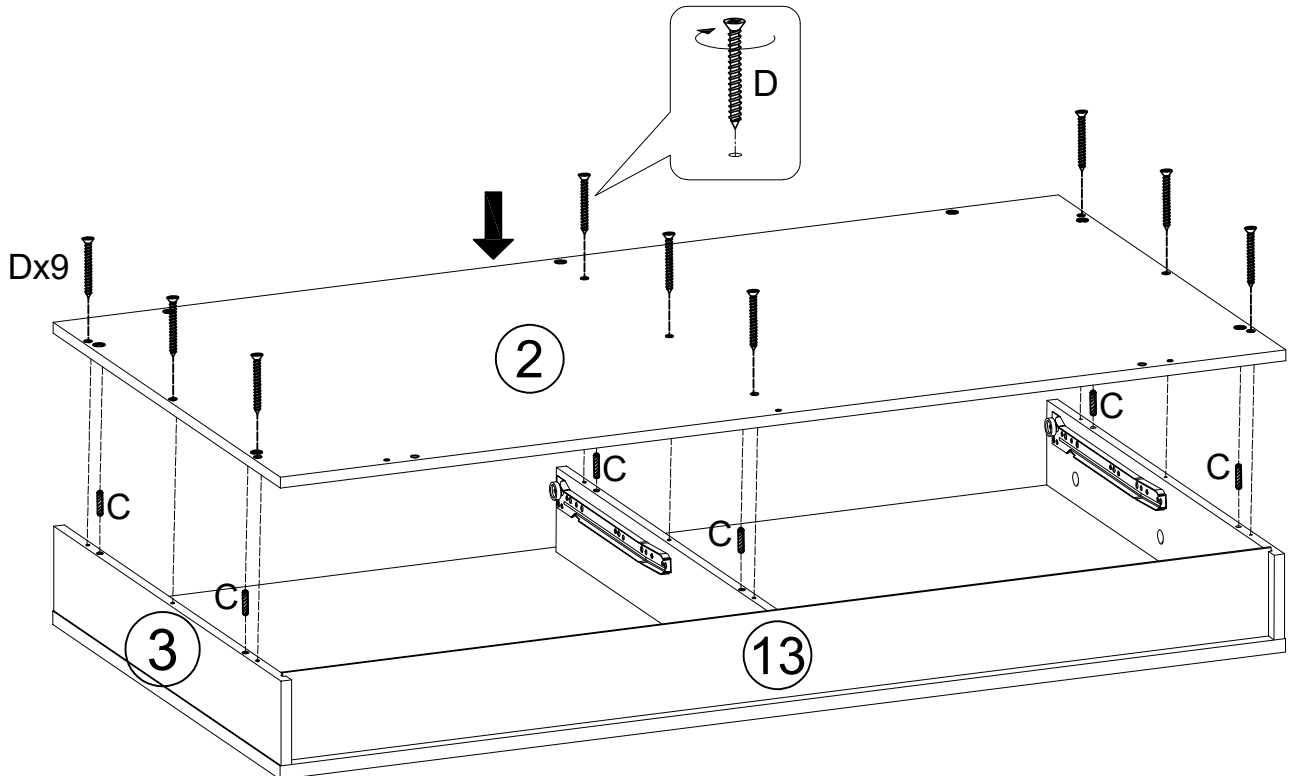


STEP 5



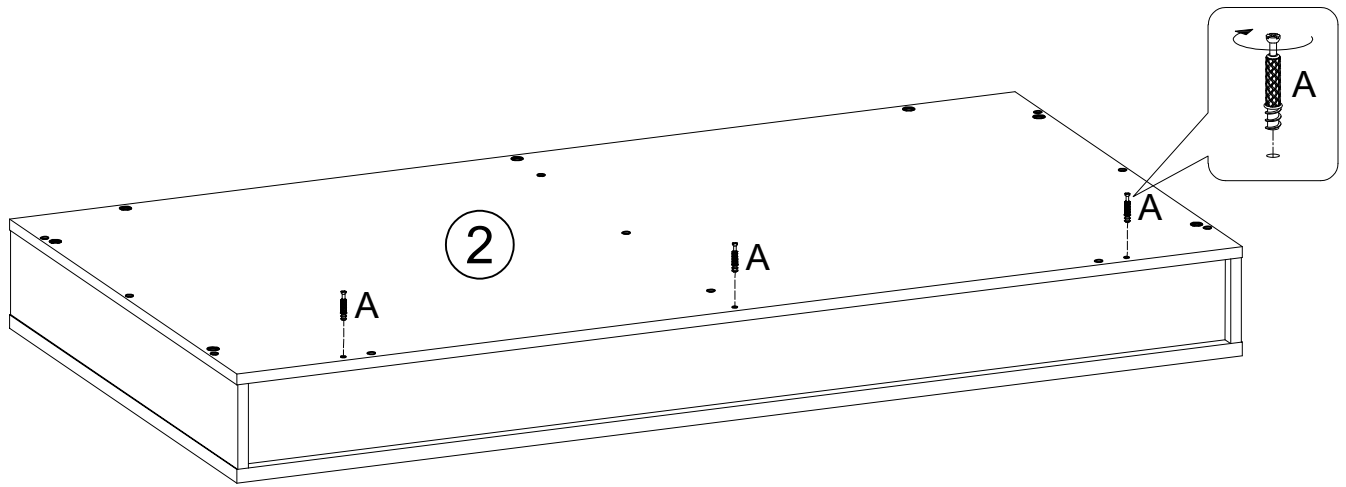
STEP 6

C-  X6 D-  X9



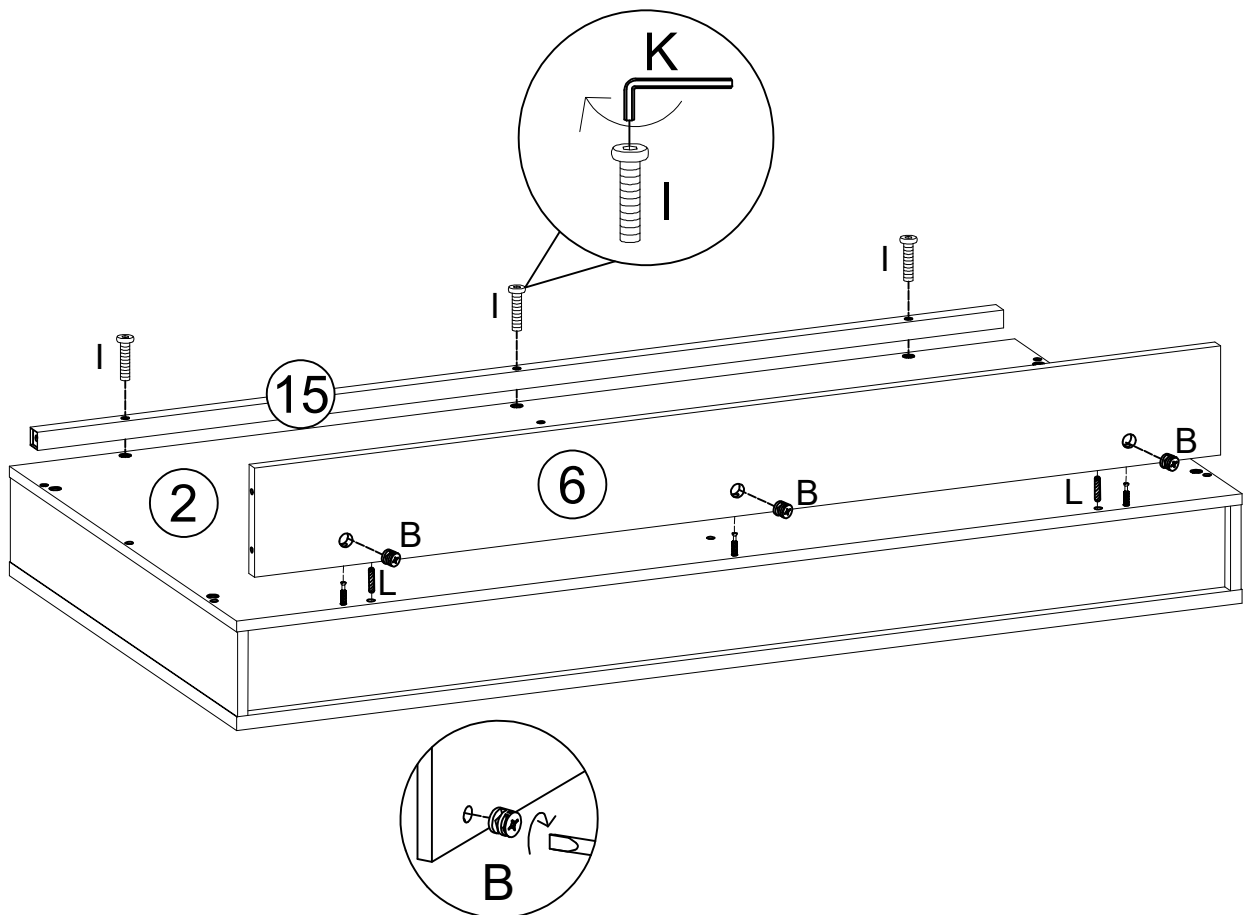
STEP 7

A-  X3



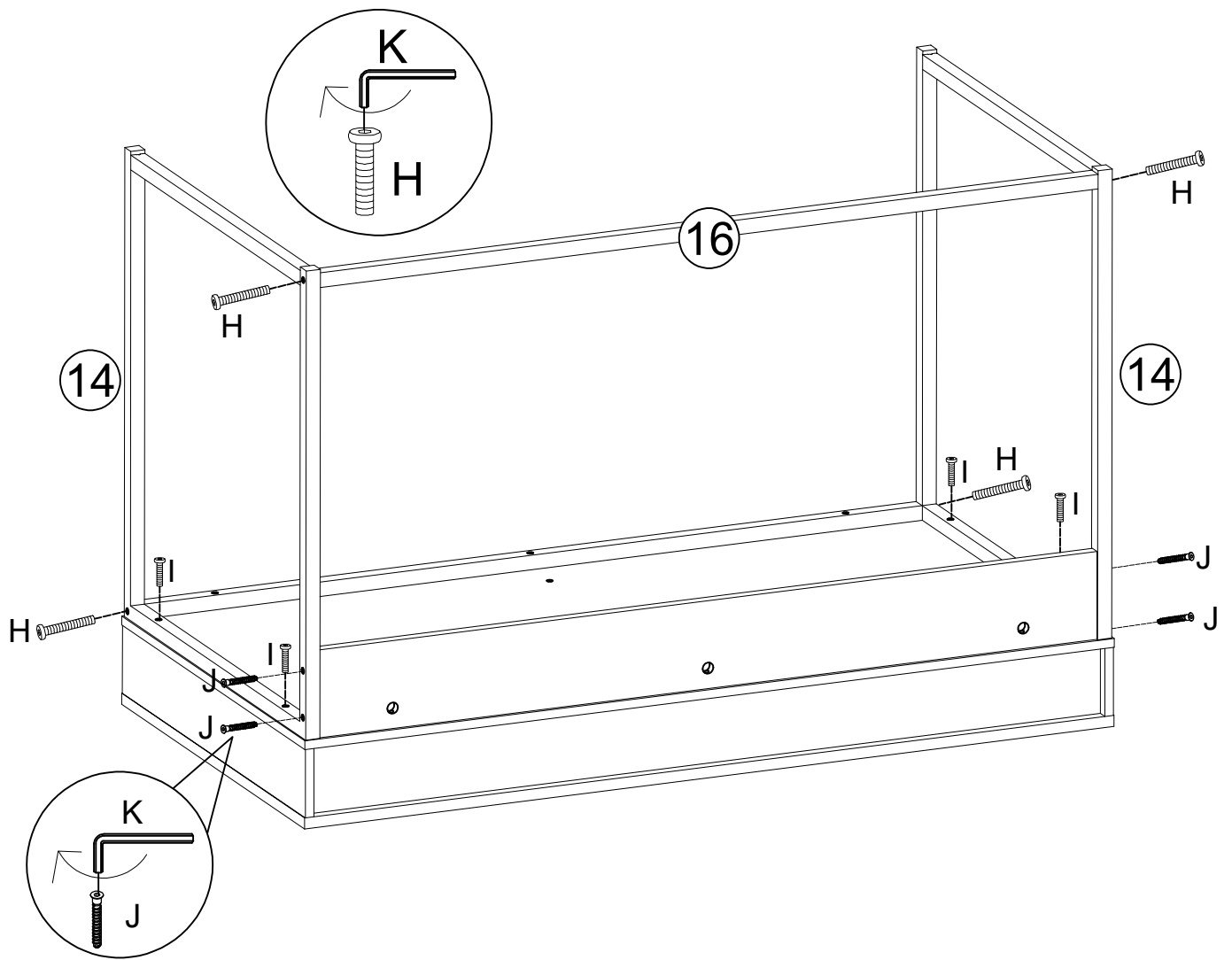
STEP 8

B-  X3 I-  X3 K-  X1 L-  X2


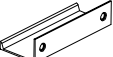



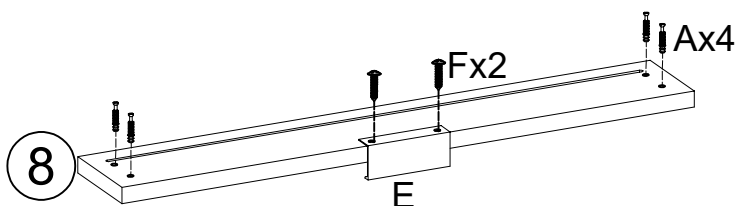
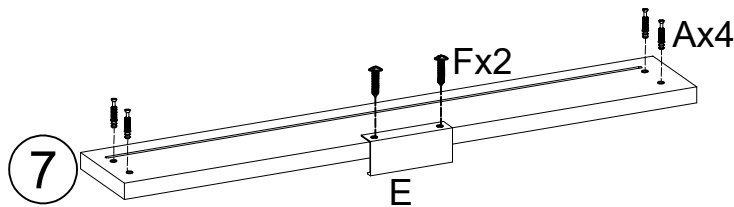
STEP 9

H-  x4 I-  x4 J-  x4 K-  x1

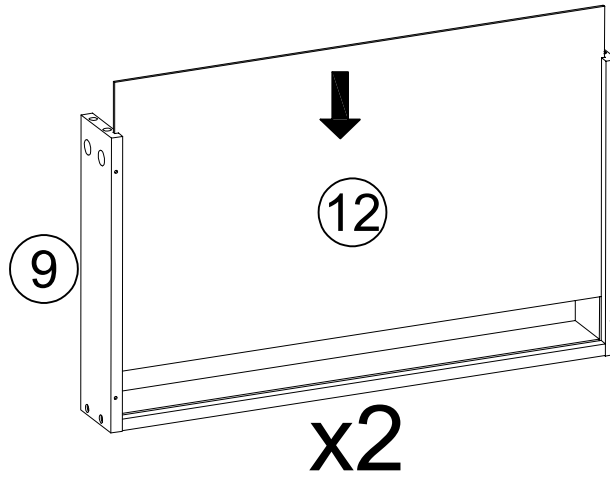
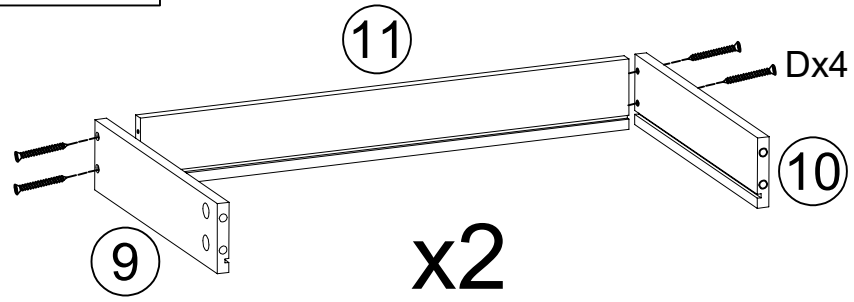


STEP 10

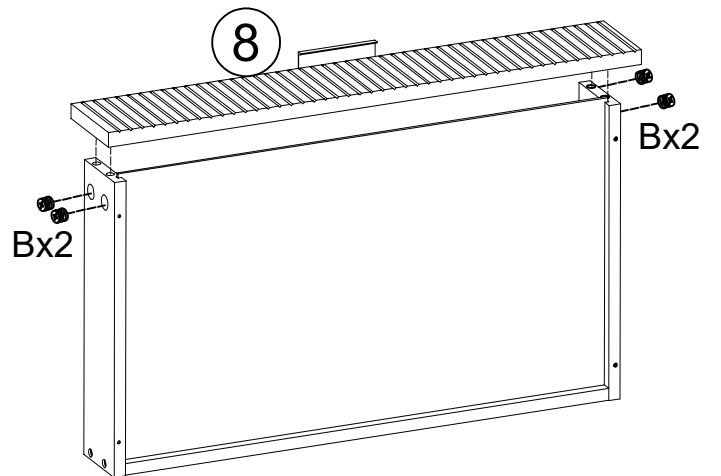
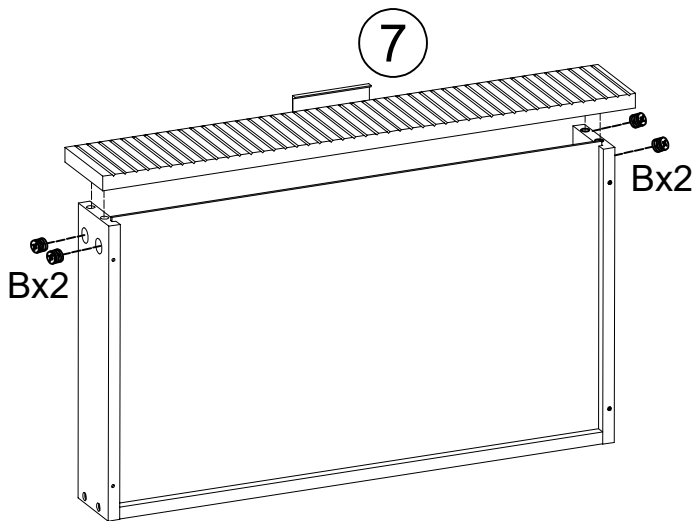
A-  x8 E-  x2 F-  x4






STEP 11 **D-**  **x8**

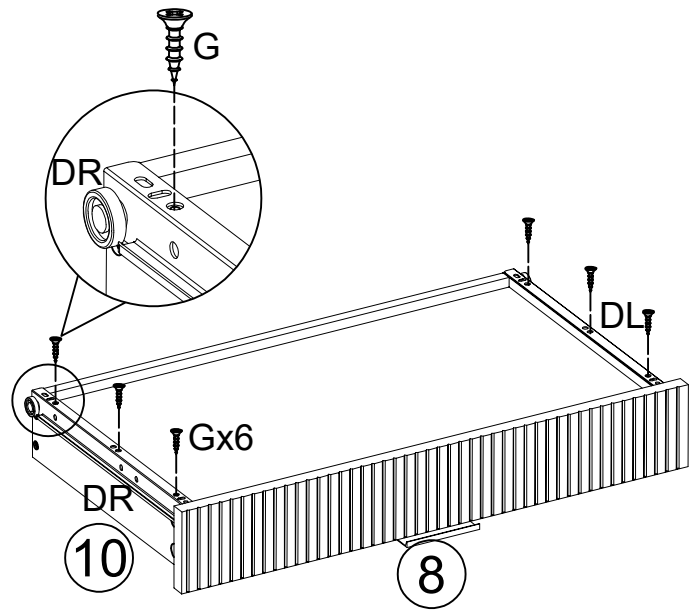
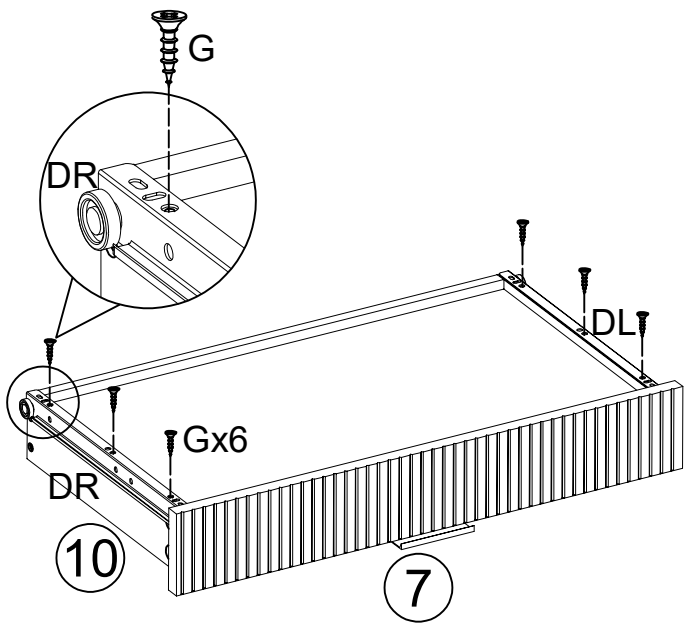


STEP 12 **B-**  **x8**



STEP 13

G-  X12 DL-  X2 DR-  X2



STEP 14

