

Assembly Instructions

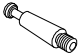

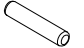

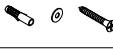



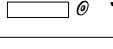
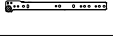
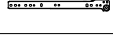
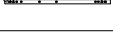
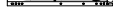
43333585 LYN CHEST OF DRAWERS

WARNING: DO NOT STAND, SIT OR LEAN ON THIS UNIT. DO NOT USE THIS UNIT AS A STEP LADDER OR AS A CHOPPING SURFACE. KEEP AWAY FROM CHILDREN AND BABIES. ADULT ASSEMBLY REQUIRED. USE ONLY ON A FLAT SURFACE. DO NOT USE THIS UNIT UNLESS ALL BOLTS AND SCREWS ARE FIRMLY SECURED.

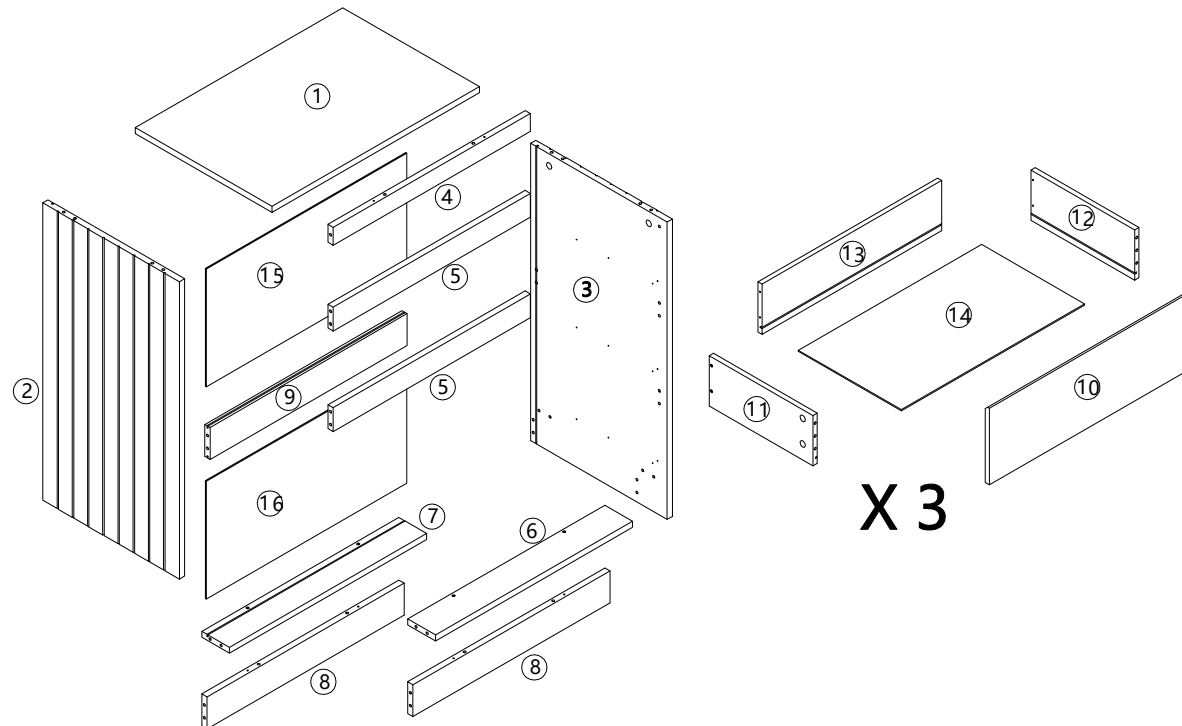
CARE INSTRUCTIONS: TO BE ASSEMBLED ON A CLEAN, DRY AND SMOOTH SURFACE. WIPE CLEAN WITH A SOFT DAMP CLOTH. NEVER USE SCOURERS, ABRASIVES OR CHEMICAL SOLVENTS. CHECK AND TIGHTEN ALL PARTS REGULARLY. KEEP AWAY FROM MOISTURE AND DIRECT SUNLIGHT. STORE IN A DRY PLACE. FOR INDOOR AND DOMESTIC USE ONLY.

MAXIMUM SAFE LOAD: top board:15kg, drawer: 7kg.

① Hardware List

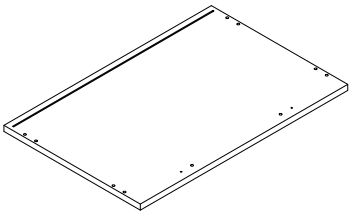
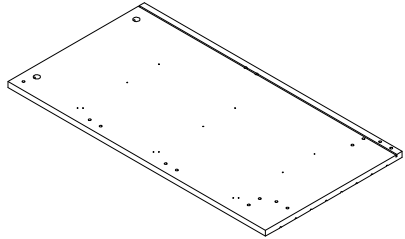
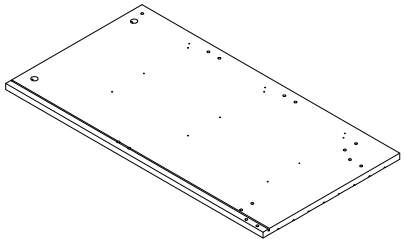
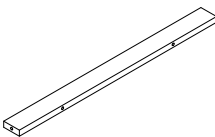
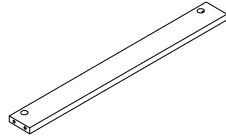
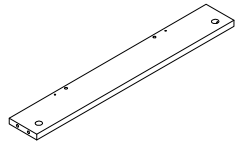
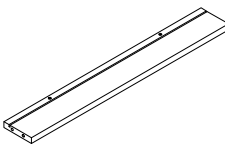
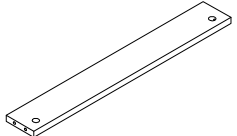
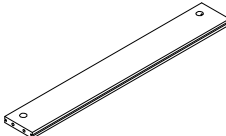
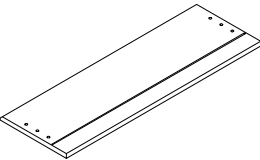
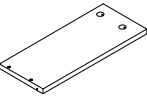
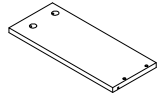
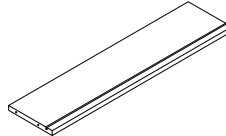
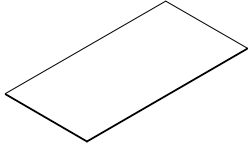
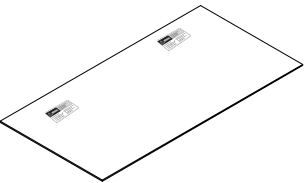
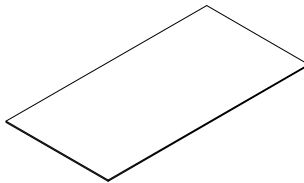
	A	M6x35mm	30pcs
	B	Ø15x9.5mm	30pcs
	C	Ø6x30mm	32pcs
	D	M4x35mm	18pcs
	E	M4x35mm	2pcs
	F		8pcs
	G	M3x16mm	8pcs
	H	M3.5x12mm	42pcs
	I	M4x12mm	2pcs
	CL	300mm	3pcs
	CR	300mm	3pcs
	DL	300mm	3pcs
	DR	300mm	3pcs

②



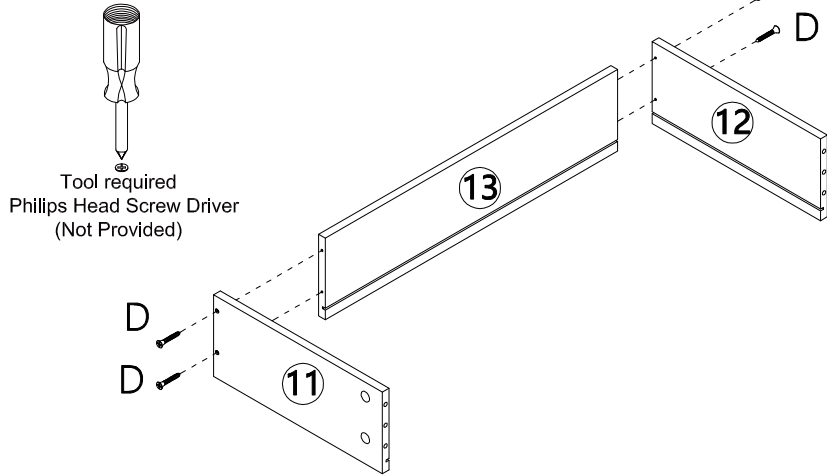
Do not tighten the screws fully during assembly. Fully tighten screws after the final assembly steps.

3

			
① 1PC	② 1PC	③ 1PC	④ 1PC
			
⑤ 2PCS	⑥ 1PC	⑦ 1PC	⑧ 2PCS
			
⑨ 1PC	⑩ 3PCS	⑪ 3PCS	⑫ 3PCS
			
⑬ 3PCS	⑭ 3PCS	⑮ 1PC	⑯ 1PC

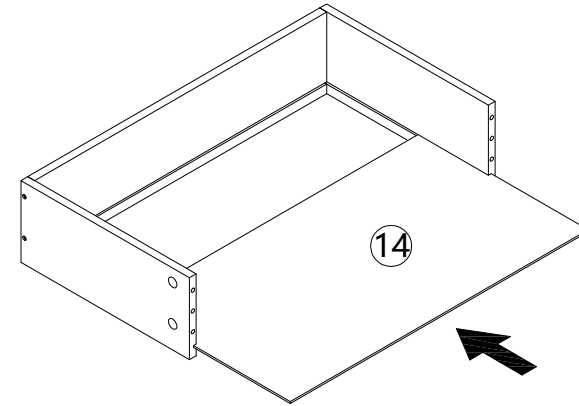
STEP 1:

D x 12



X 3

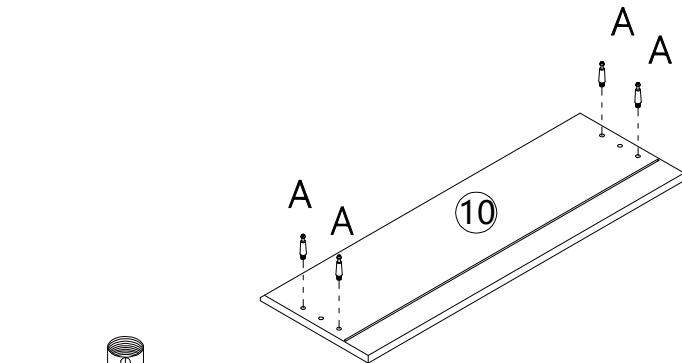
STEP 2:



X 3

STEP 3:

A x 12

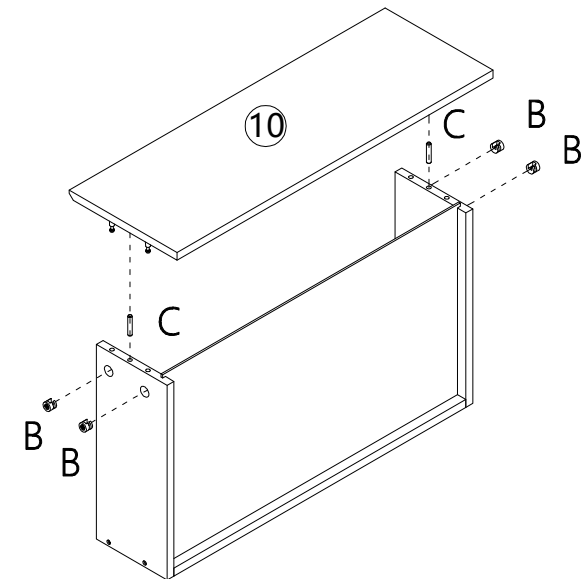


X 3

STEP 4:




B x 12

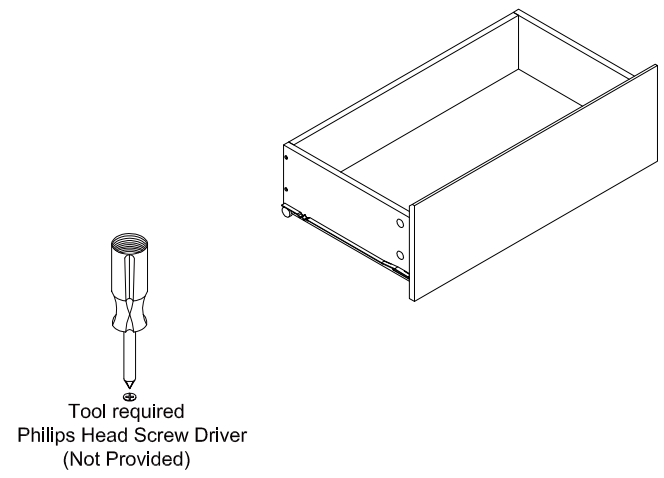
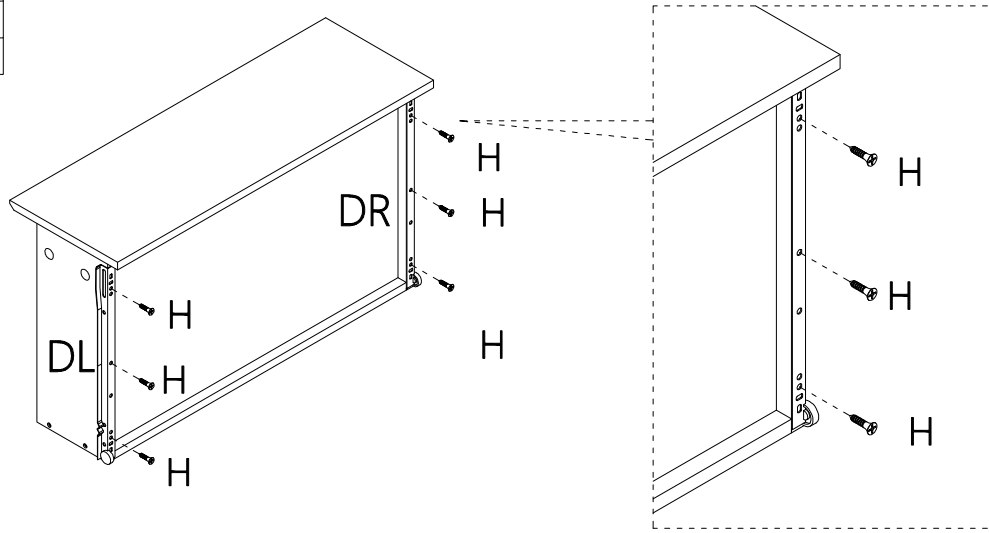
C x 6



X 3




STEP 5:

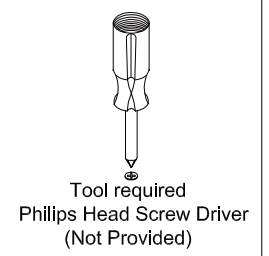
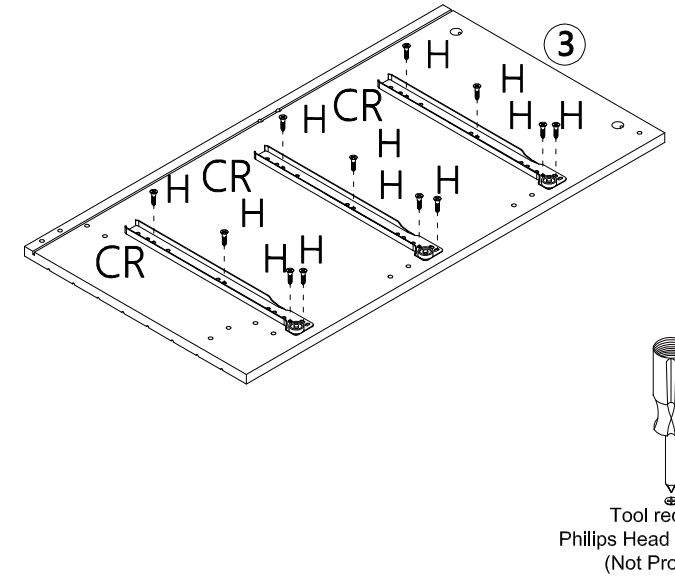
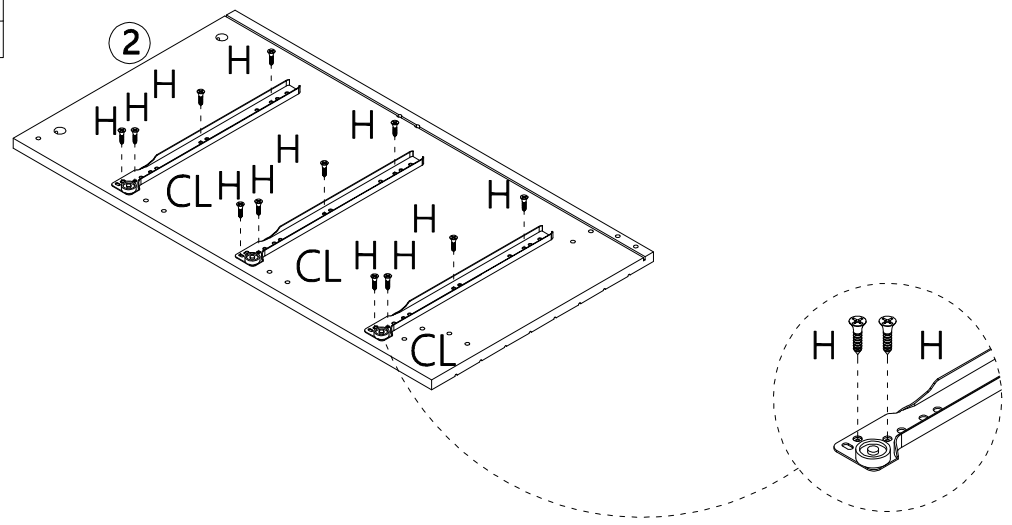
-  H x 18
-  DL x 3
-  DR x 3



X 3

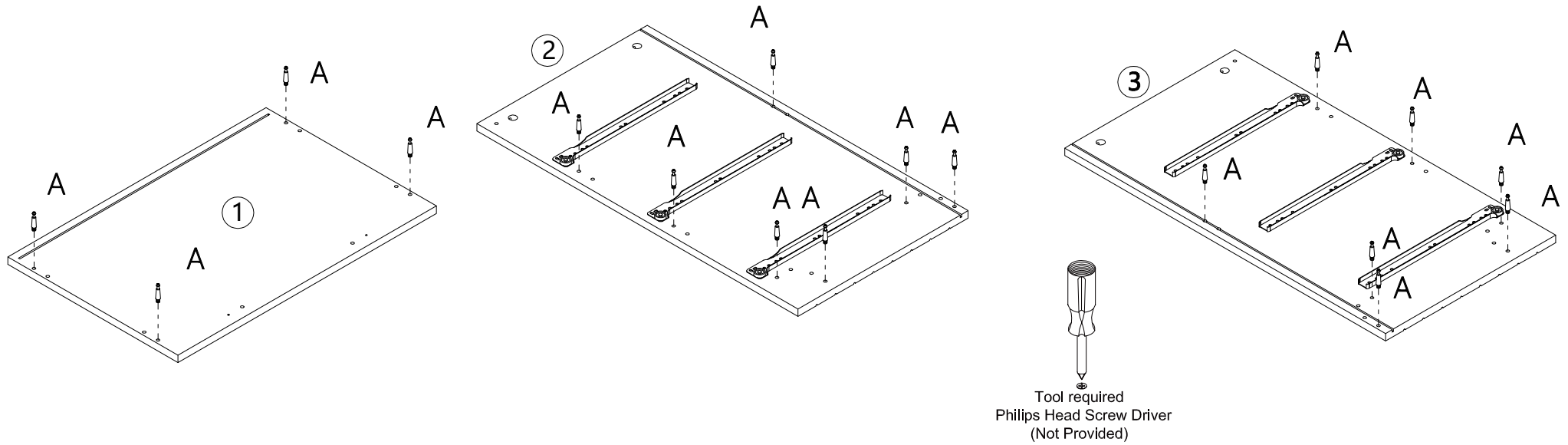
STEP 6:

-  H x 24
-  CL x 3
-  CR x 3





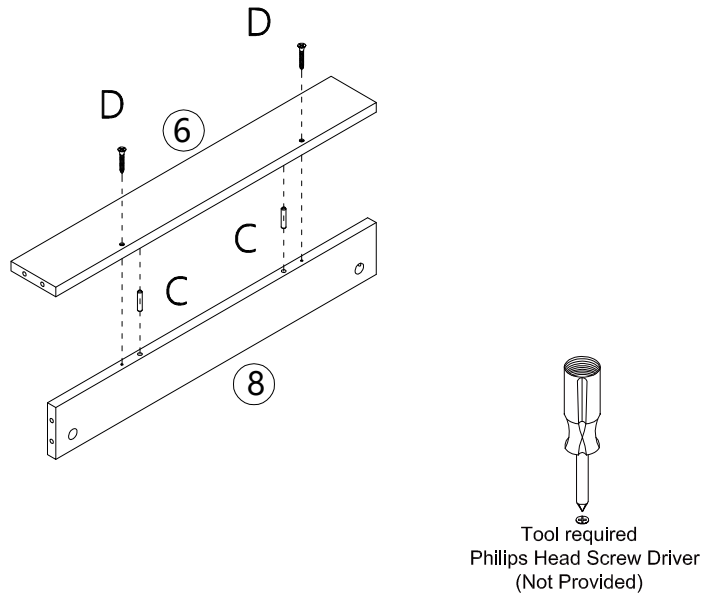
STEP 7:

 A x 18



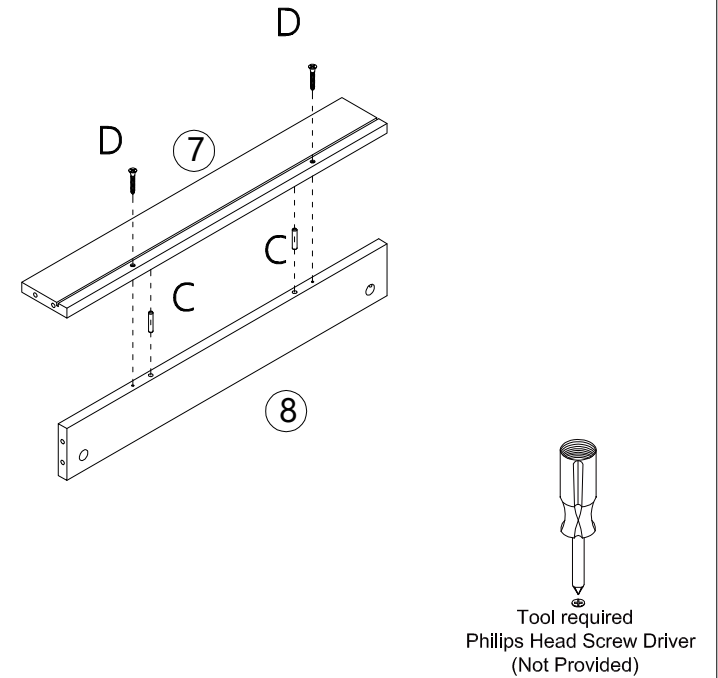
STEP 8:

 C x 2
 D x 2





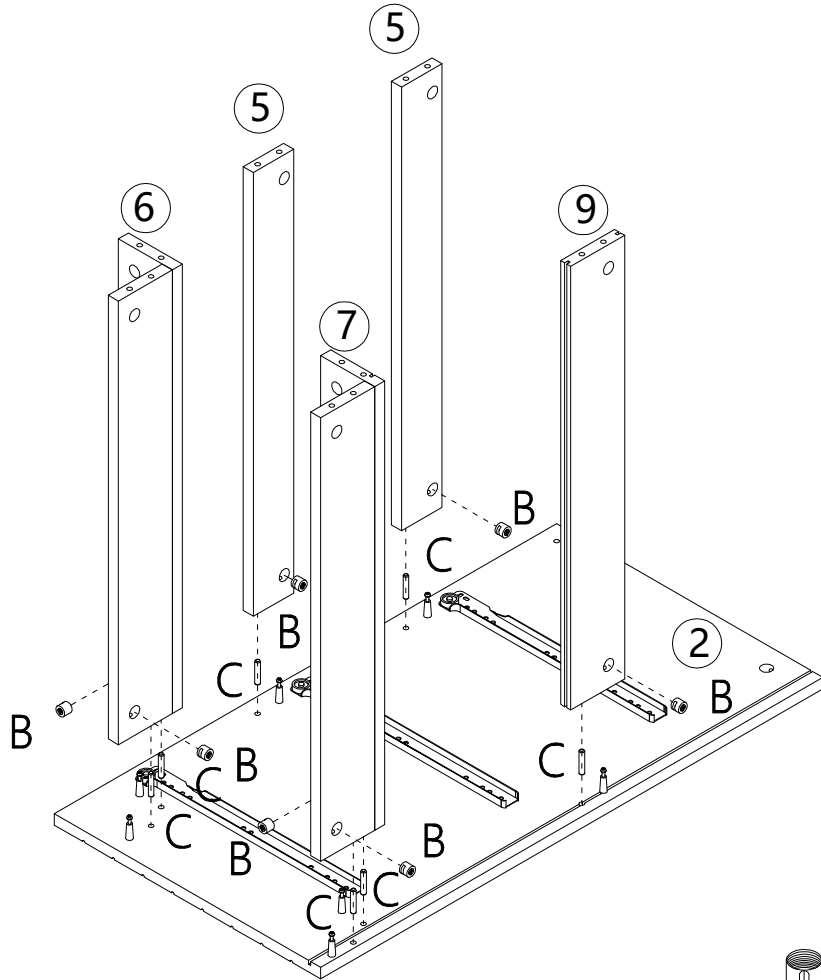
STEP 9:

 C x 2
 D x 2



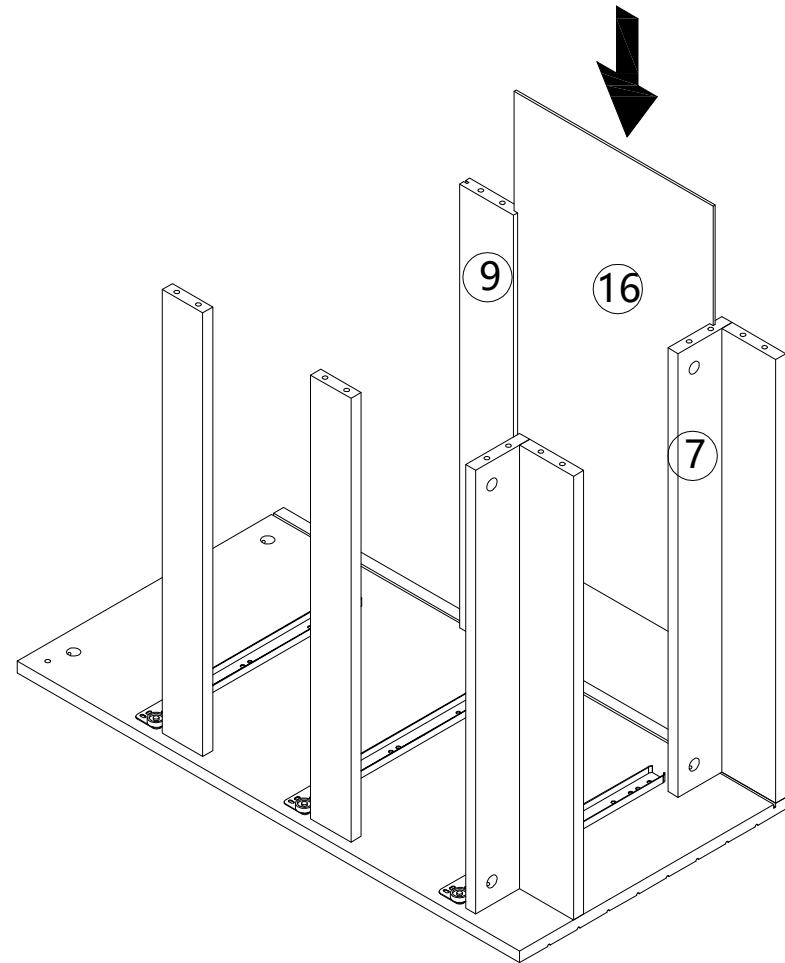
STEP 10:

-  B x 7
-  C x 7

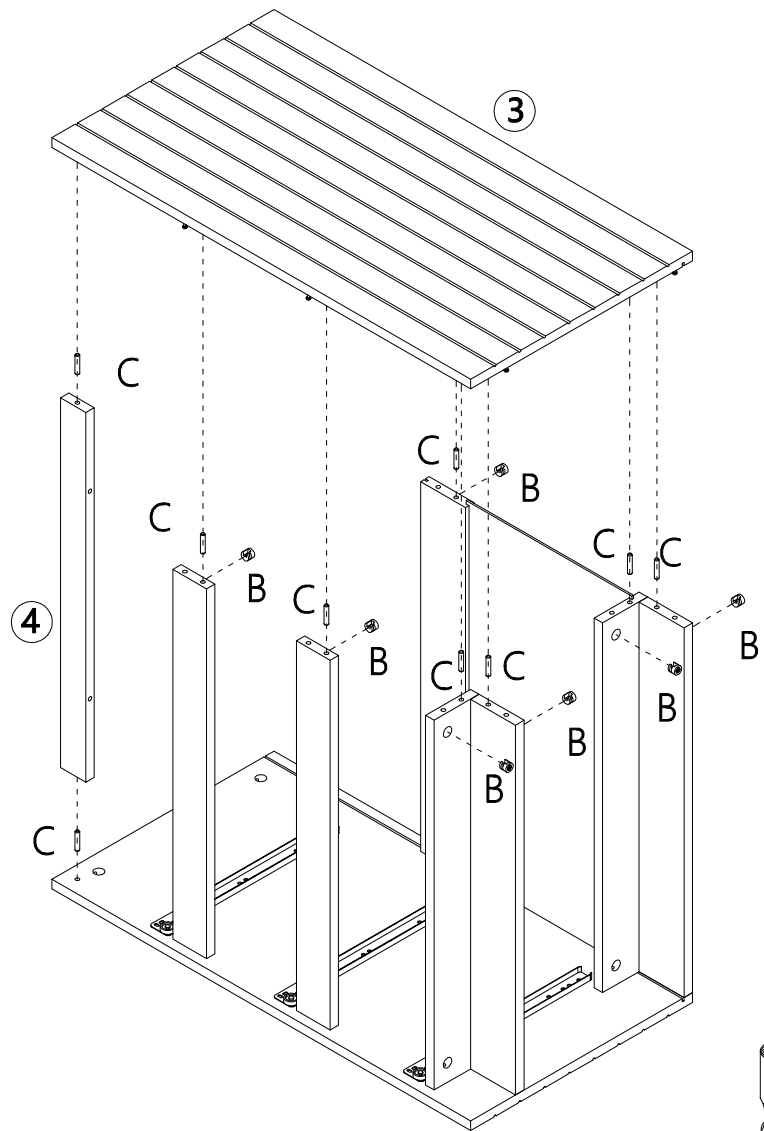
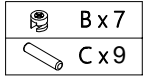


Tool required
Philips Head Screw Driver
(Not Provided)

STEP 11:

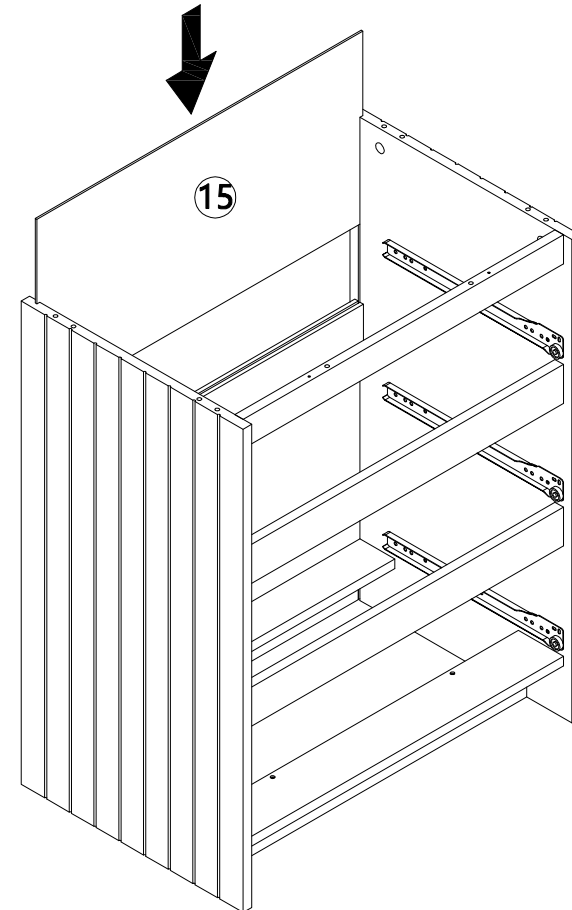


STEP 12:






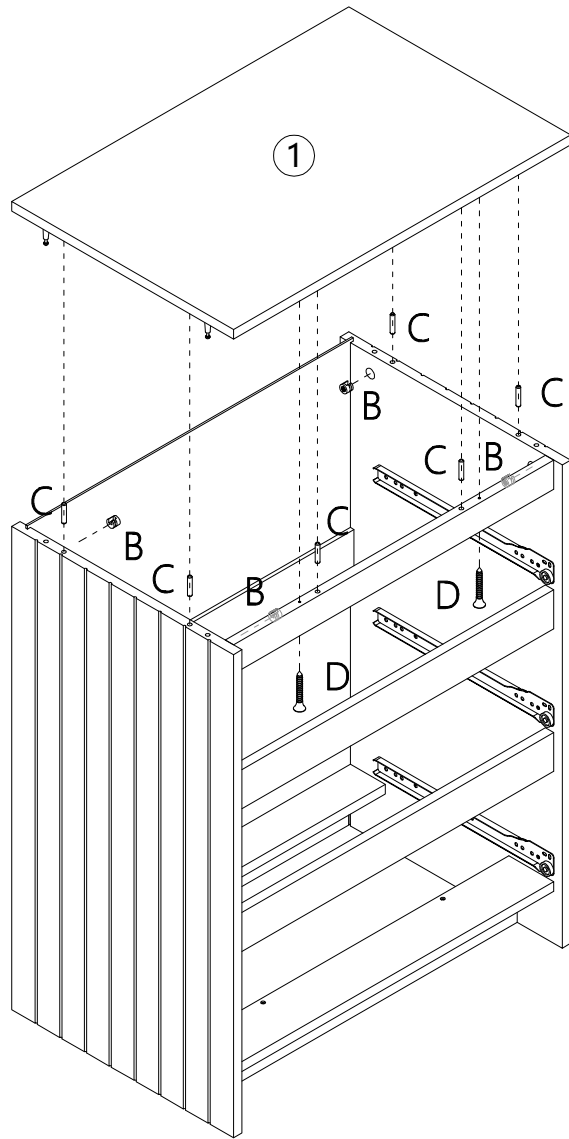
Tool required
Phillips Head Screw Driver
(Not Provided)

STEP 13:






STEP 14:

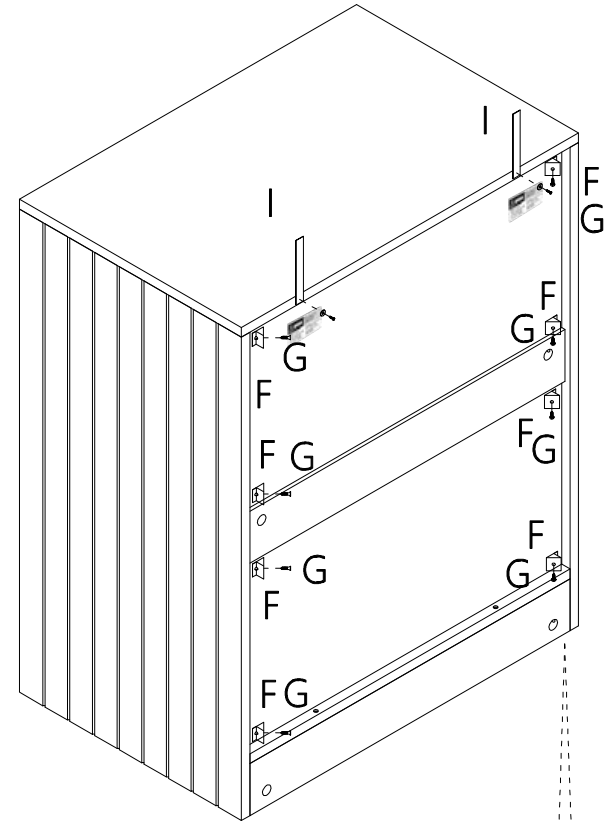
-  B x 4
-  C x 6
-  D x 2



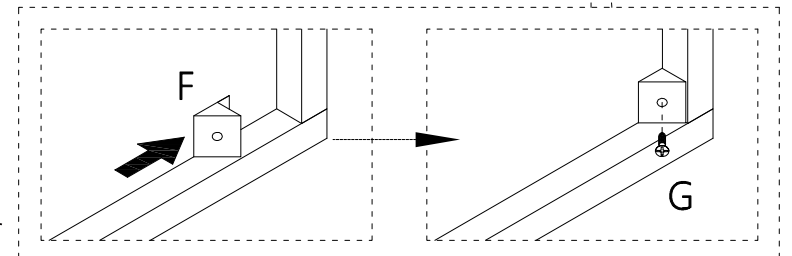
Tool required
Phillips Head Screw Driver
(Not Provided)

STEP 15:

-  F x 8
-  G x 8
-  I x 2

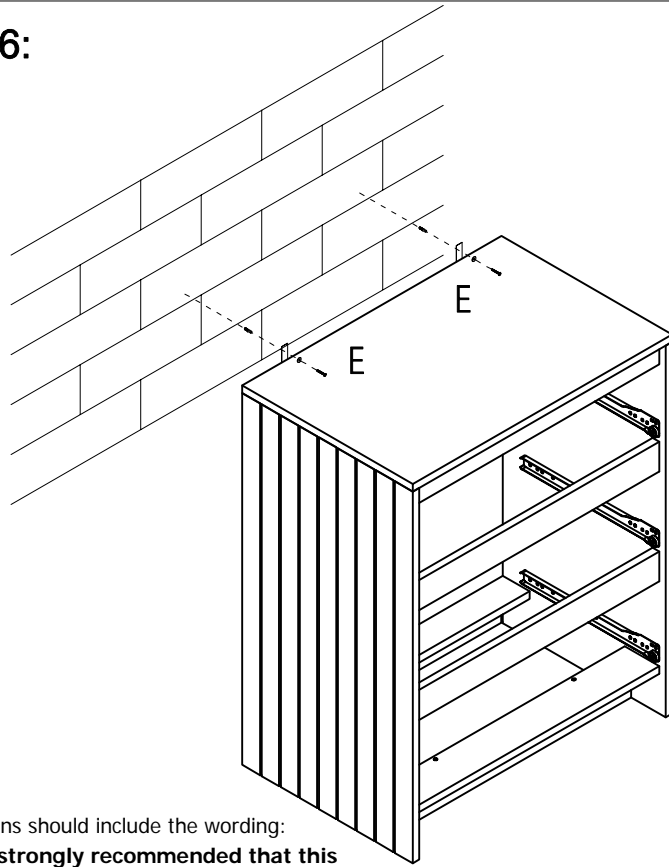


Tool required
Phillips Head Screw Driver
(Not Provided)



STEP 16:

 Ex 2



User instructions should include the wording:

- It is strongly recommended that this product is permanently fixed to the wall.
- Please seek professional advice if you are in doubt of what fixing device to use.
- Regularly check that anchors are securely maintained.
- Stability of tall items may be affected by thick pile carpet or uneven floors .
- Do not place unanchored televisions on furniture .

CAUTION: for your safety when attaching the anchor fixings, please note the following:

- Check any electrical wires or plumbing inside the wall before drilling any holes (if you are unsure please seek professional advice from a qualified tradesperson).



Tool required
Phillips Head Screw Driver
(Not Provided)



WARNING: PLEASE SECURE YOUR FURNITURE WITH THE SUPPLIED WALL FIXING. SCAN THE CODE FOR MORE INFORMATION.



STEP 17:

