

# Assembly Instruction

## 43331253 WHITE SLIM LINE TROLLEY








### CARE INSTRUCTIONS:

Load drawer evenly to prevent from tipping over.

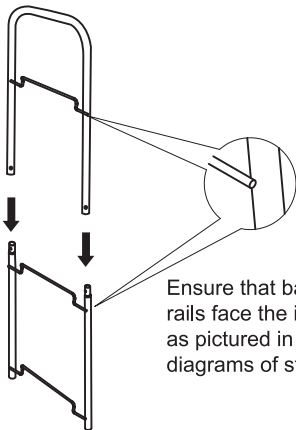
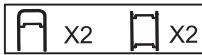
### WARNING:

This package contains small parts and sharp points, keep unassembled parts away from children and babies.

### Hardware list

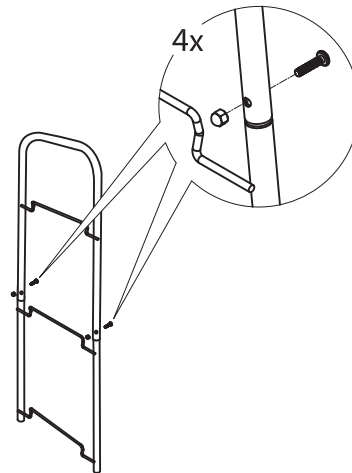
	A	Top tube	2PCS		E	Wheel with brake	2PCS
	B	Bottom tube	2PCS		F	Nut	4PCS
	C	Basket	3PCS		G	Screw	4PCS
	D	Wheel	2PCS				

#### STEP 1

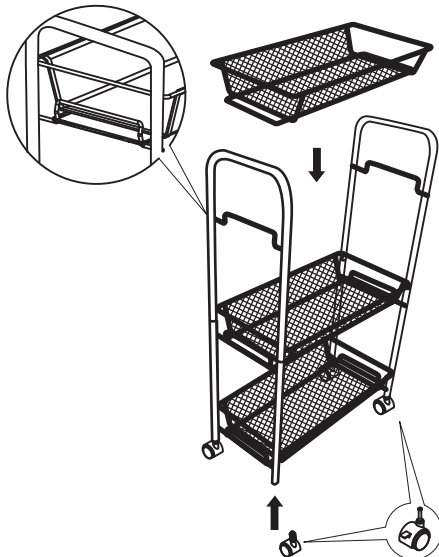
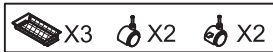


Ensure that basket securing rails face the inside of trolley as pictured in blowup diagrams of steps 1, 2 & 3

#### STEP 2



#### STEP 3



#### STEP 4

