

Assembly Instructions







43331031 KIDS SMALL 9 TUB STORAGE

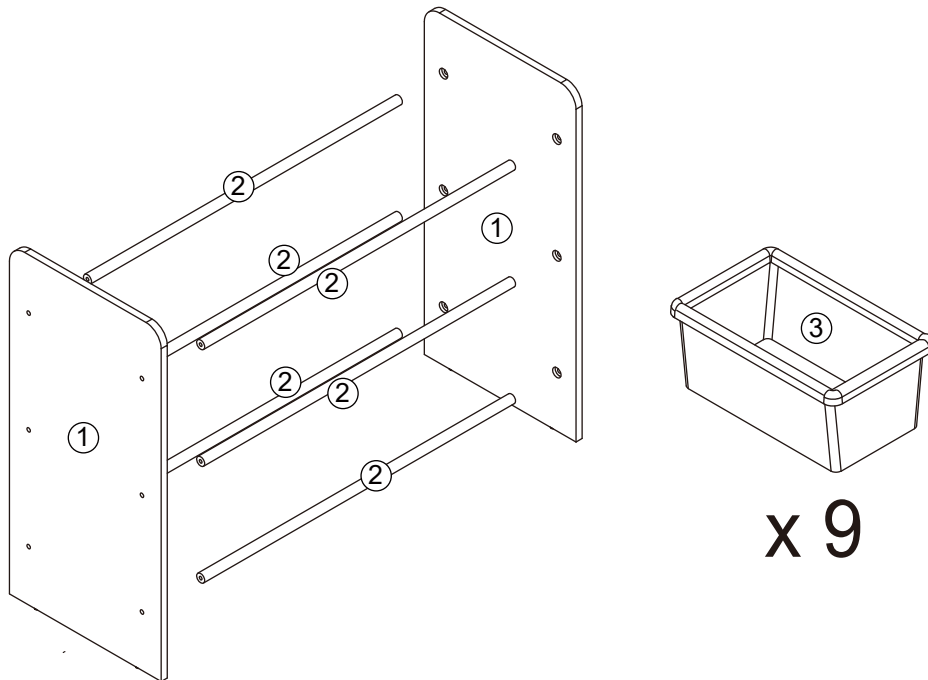
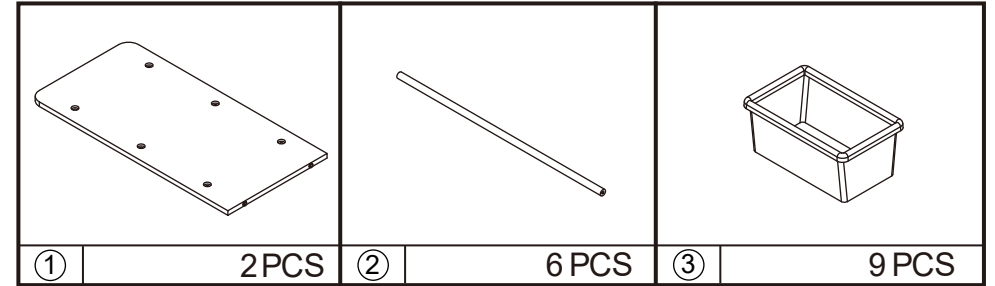
CARE INSTRUCTION: Do not stand, sit or lean on the unit. Do not use this unit as a step ladder. Ensure this unit is used only on a flat surface. Do not use this unit unless all bolts and screws are firmly secured. Do not place hot objects such as coffee cups directly on the surface of this furniture item. This item is for storage purpose only. Failure to follow these warnings could result in serious injury. Contains small parts. It is to be assembled by an adult.

WARNINGS: Wipe clean with a soft damp cloth. Never use scourers, abrasives or chemical solvents. Keep away from moisture and direct sunlight. Store in a dry place for indoor use only.

MAXIMUM TOTAL LOADING WEIGHT: 2KGS FOR EACH TUB, MAXIMUM LOADING 18KGS.

Hardware list

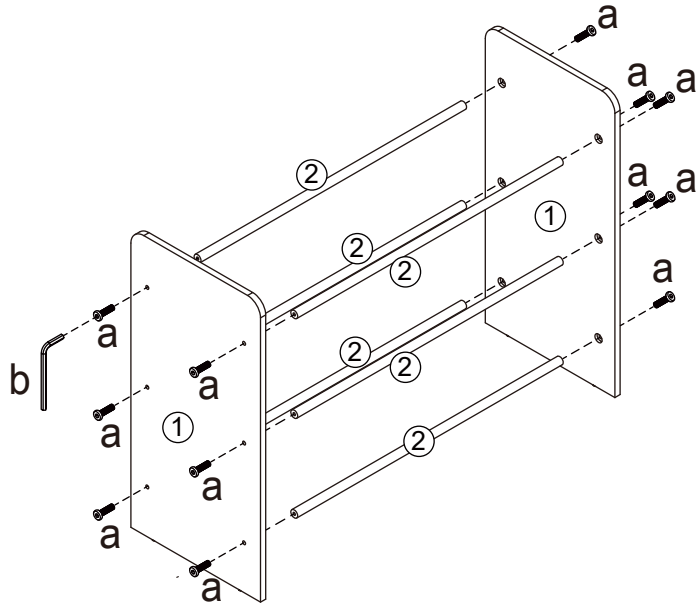
	a	6X25mm	12PCS		d		1PC
	b		1PC		e		1PC
	c	4X35mm	1PC		f		1PC



DO NOT TIGHTEN THE SCREWS UNTIL THE PRODUCT IS FULLY ASSEMBLED.

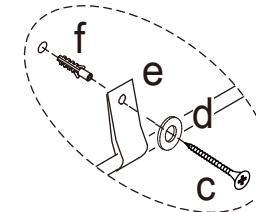
STEP 1

 X12

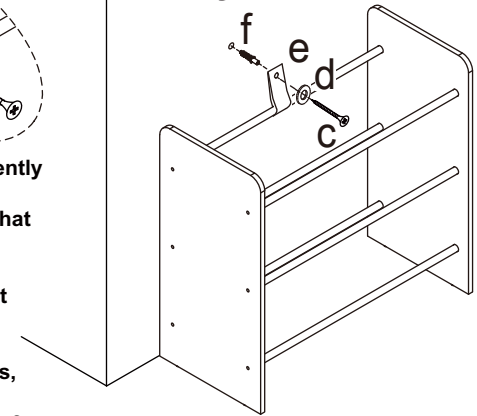


STEP 2

 X1  X1  X1  X1



Wall



Warning:

- It is strongly recommended that this product is permanently fixed to the wall.
- Please seek professional advice if you are in doubt of what fixing device to use.
- Regularly check that anchors are securely maintained.
- Stability of tall items may be affected by thick pile carpet or uneven floors.
- Do not place unanchored televisions on cabinet.

Caution: for your safety when attaching the anchor fixings, please note the following:

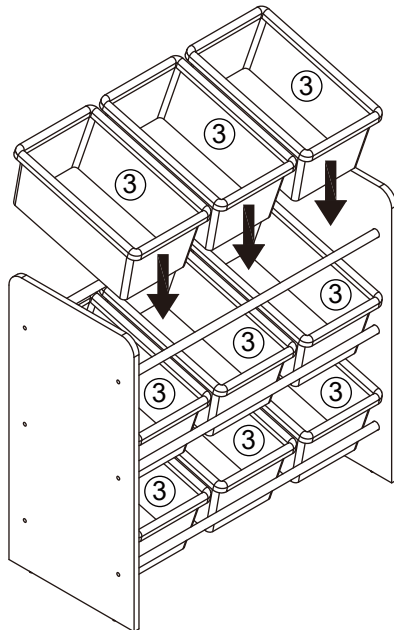
- Check any electrical wires or plumbing inside the wall before drilling any holes (if you are unsure please seek professional advice from a qualified tradesperson).



WARNING: PLEASE SECURE YOUR FURNITURE WITH THE SUPPLIED WALL FIXING. SCAN THE CODE FOR MORE INFORMATION.



STEP 3



STEP 4

