

# anko

**Digital Shaver  
RSCW-7699  
User Manual**



**PLEASE READ AND SAVE THESE  
INSTRUCTIONS FOR FUTURE REFERENCE**

## IMPORTANT SAFETY GUARDS

To ensure proper operation of this appliance, please read this instruction manual completely and carefully before using the appliance and keep it for future reference.

### WARNING!

1. Only use the appliance as described in this manual.
2. This appliance contains batteries that are non-replaceable.
3. To protect against the risk of electric shock, DO NOT immerse the appliance, USB cable in water or other liquid.
4. DO NOT use or store the product near sinks, bath or showers containing water or near running water.
5. Always check the appliance for damage prior to use. If any damage is observed, do not use the appliance.
6. The appliance is intended for indoor use only.
7. Always switch the appliance OFF after use.
8. This appliance has no user serviceable parts. Do not attempt to access the internal components in the appliance.
9. This appliance is for personal use only, not designed for commercial use.
10. Do not use it outdoors.
11. **Do not use** the appliance if it is not working properly, if it has been dropped or if it has been immersed in any liquid.
12. Before using the appliance, ensure that the trimmer head is securely fitted and not damaged.
13. Do not use the appliance on children.
14. The appliance is not to be used by persons (including children) with reduced physical, sensory or mental capabilities, or lack of experience and knowledge, unless they have been given supervision or instructions concerning use of the appliance by a person responsible for their safety.
15. Children should be supervised to ensure that they do not play with the appliance.
16. Only Charge the Appliance with the USB cable that was supplied with the appliance.
17. Only Charge the Appliance from an Extra Low Voltage Battery Charger (not supplied) with an output rating 5Vd.c. 1A, same as indicated on the appliance's rating label.
18. When charging the appliance, the appliance must be switched OFF.
19. Use only attachments provided.
20. This product contains sharp blades, please take utmost care during handling and use.
21. Do not replace the batteries with non-rechargeable batteries.
22. To avoid personal injury, do not use the appliance if has a damaged trimmer head or blade.
23. The appliance must be used only with provided attachments.



**WARNING: Do not recharge non-rechargeable batteries.**



**WARNING: Before charging the product, please make sure your hands are dry.**

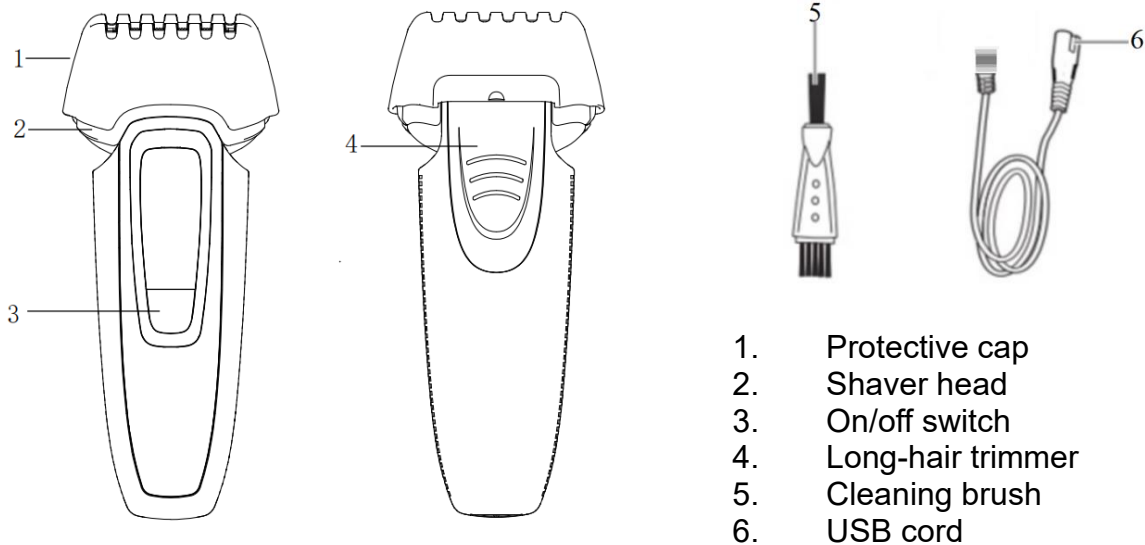


**WARNING: Only use the USB cable supplied with the appliance. Use of other cable may cause electrical failure and/or fire.**

### PERSONAL SAFETY




- Never use the appliance on any part of the body other than trimming the hair and beard.
- **IMPORTANT! Do not use the appliance if the trimmer head is split or broken.**
- Never leave the appliance unattended while switched on.
- Do not touch the blades as they are very sharp.
- Always ensure that the hands are dry before operating or when switching it ON or OFF.

# KNOW YOUR DIGITAL SHAVER



1. Protective cap
2. Shaver head
3. On/off switch
4. Long-hair trimmer
5. Cleaning brush
6. USB cord

## LED display

<b>00/10/20/...../100</b> <b>Number display</b>	<ul style="list-style-type: none"> <li>The number shows the percentage of battery capacity.</li> </ul>
 <b>Lock Icon</b>	<ul style="list-style-type: none"> <li>Long-press the on/off switch for 3 seconds, the blue lock icon flashes and the shaver is locked.</li> <li>Long-press the on/off switch for another 3 seconds to unlock the shaver.</li> <li>The shaver will unlock automatically when connected to power source for charging.</li> </ul>
 <b>Water Tap Icon</b>	<p>The blue water tap icon will appear to remind you to clean the shaver head when the total use time has reached 30 minutes.</p>
 <b>Plug Icon</b>	<p>The plug icon illuminates red when the shaver is charging.</p>

## CHARGING

- Please make sure the shaver is switched OFF before charging.
- Fully charge the shaver for 90 minutes before first use.
- When charging, red plug icon light up, digits runs 00/05/10/15/20/25/30/35/40/45/50/55/60/65/70/75/80/85/90/95/100%.

NOTE: Normal charging time of the shaver is 90 minutes. Do not charge for more than 90 minutes.

- When fully charged, the number display shows 100 and the shaver can continuously work for approx. 60 minutes.
- Red plug icon starts to flash when the battery is low.

**IMPORTANT! Charge the battery only with the USB cord provided.**

## BATTERY CARE

To ensure maximum life of the rechargeable battery in your shaver, follow these guidelines:

- Do not recharge the shaver between sessions. Wait until the battery is fully exhausted before recharging.
- Discharge the battery completely at least twice a year (switch ON and run until the shaver stops).
- If the shaver has not been used for a long period of time, discharge the battery completely, then fully charge it for 1.5 hours before use.
- Never charge the shaver for more than 1.5 hours.
- Do not charge the shaver when the temperature is below 0°C or above 40°C.
- Avoid recharging the shaver in direct sunlight or near a radiating heat source.

## HOW TO USE YOUR DIGITAL SHAVER

We recommend a dry shave before you wash. After washing, your skin is slightly swollen. As a result, shavers are often unable to reach the entire length of your beard hair so the shave will be less thorough.

### Normal operation

1. Remove the protective cap.
  2. Press the on/off switch to turn on the shaver.
  3. Hold the shaver at right angles (90°) to your skin.
  4. Stretch your skin and shave against the direction of your beard growth.
- NOTE: Applying excessive pressure does not provide a closer shave.**
5. Switch OFF the shaver by press on/off switch.
  6. Put the protective cap on the shaver every time after use to prevent damage.

### Using the trimmer

1. Push upwards the long hair trimmer all the way out until it audibly locks in place.
  2. Press on/off switch to turn on the shaver.
  3. Slowly guide the trimmer up to the hair you intend to cut.
  4. Always use short stroke to cut your hair.
  5. Switch the shaver OFF by press the On/Off switch.
  6. Push the trimmer downwards until it go back in place.
- NOTE: The trimmer always generates a straight cutting edge. If you do not want a straight cutting edge, you must hold the shaver at an angle. For hard-to-reach areas or for very precise cuts, use a comb to check the cut length.

## CLEANING AND MAINTENANCE

1. Make sure the shaver is disconnected from the USB cord and power switch is set to OFF.
2. Push the release buttons at both sides to release the shaving foil.
3. Wash the shaving foil with running water. Wipe off any drops of water with a dry cloth and allow it dry completely.
4. Push upwards the long hair trimmer all the way out.

**Caution! Do not touch the metal parts of the shaving blade to prevent injury.**

5. Rinse off the top part of the shaver with running water.
6. Switch the shaver ON with the foil frame open for approx. 5-10 seconds to dispel any drops of water from the shaver blades.
7. Wipe off any drops of water on the shaver with a lint-free cloth or paper towel and allow it dry completely.
8. Push the trimmer downwards until it goes back in place.
9. Fix the shaving foil on to the shaver head.
10. Oil the shaving foils.
11. Place the protective cap on the shaver.
12. The shaver is now ready for use again.

Note: For daily cleaning after dry shave, just clean the shaving foil and shaving blade with the brush. Switch ON the shaver for approx. 5-10seconds to dispel any debris from the shaver blades with the foil frame open. Fix all the parts in place after cleaning.

## BATTERY DISPOSAL

If the shaver is to be disposed the batteries should be removed from the appliance before it is scrapped. The shaver must be disconnected from the charger when removing the battery. The battery should be disposed safely. Used batteries should be taken to a recycling facility and not disposed of with household waste.

**IMPORTANT: Always fully discharge the batteries before removal and ensure the charger is unplugged.**

## TECHNICAL DATA

Working time	Approx. 60 minutes
Charging time	Approx. 90 minutes
Input	5Vd.c 1.0A
Battery type	Li-ion, 3.7V, 500mAh x1 cell

## **12 Month Warranty**

Thank you for your purchase.

Your new product is warranted to be free from defects in materials and workmanship for the period stated above, from the date of purchase, provided that the product is used in accordance with accompanying recommendations or instructions where provided. This warranty is in addition to your rights under the Australian Consumer Law.

For New Zealand customers, this warranty is in addition to statutory rights observed under New Zealand legislation.

We will provide you with your choice of a refund, repair (where possible) or exchange (availability dependent) for this product if it becomes defective within the warranty period. The business will bear the reasonable expense of claiming the warranty.

This warranty will no longer apply where the defect is a result of alteration, accident, misuse, abuse or neglect.

Please retain your receipt as proof of purchase and contact our Customer Service Centre as listed below, for the entity you purchased this product from, for any difficulties with your product. Warranty claims and claims for expense incurred in returning this product can be addressed to the respective Customer Service Centre.

Our goods come with guarantees that cannot be excluded under the Australian Consumer Law. You are entitled to a replacement or refund for a major failure and compensation for any other reasonably foreseeable loss or damage. You are also entitled to have the goods repaired or replaced if the goods fail to be of acceptable quality and the failure does not amount to a major failure.

<b>Contact for Kmart purchases</b>	<b>Contact for Target purchases</b>
Kmart Australia Ltd. C/- Customer Service Centre 690 Springvale Road, Mulgrave Vic 3170 Customer Service: 1800 124 125 (Australia) or 0800 945 995 (New Zealand) or via Customer Help at <a href="http://kmart.com.au">kmart.com.au</a>	Target Australia Pty Ltd C/- Customer Service Centre 2 Kendall Street, Williams Landing, Vic, 3027 Customer Service: 1300 753 567 or via Customer Help at <a href="http://target.com.au/help/contact-us">target.com.au/help/contact-us</a>