

Assembly Instructions

43274901 BAMBOO AND WHITE OVER TOILET SHELF







CARE INSTRUCTION: Wipe clean with a damp cloth. Keep away from water and direct sunlight. For indoor and domestic use. Check and tighten all parts regularly.







WARNINGS: Do not stand, sit, or lean on the product. Do not drag the product. Use only on a flat surface. Do not use until all screws, bolts and knobs are firmly secured.

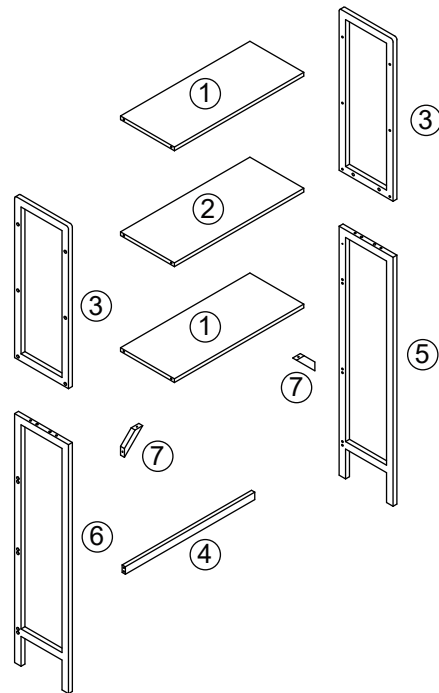
This product contains small parts and sharp points, keep away from children and babies. Adult assembly required. Failure to follow these warnings could result in serious injury.

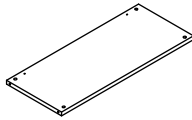
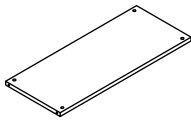
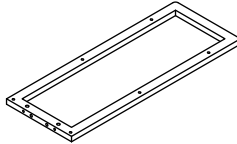
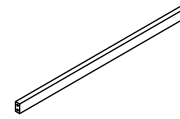
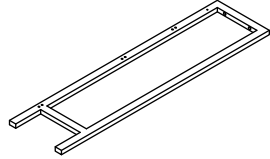
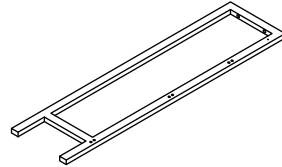
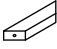
MAXIMUM TOTAL LOADING WEIGHT: 3KGS FOR EACH SHELF, 6KGS IN TOTAL.

Hardware list

	a	5X50mm	16PCS
	b	4X25mm	4PCS
	c	8X30mm	4PCS
	d	6X40mm	4PCS
	e		4PCS
	f		12PCS

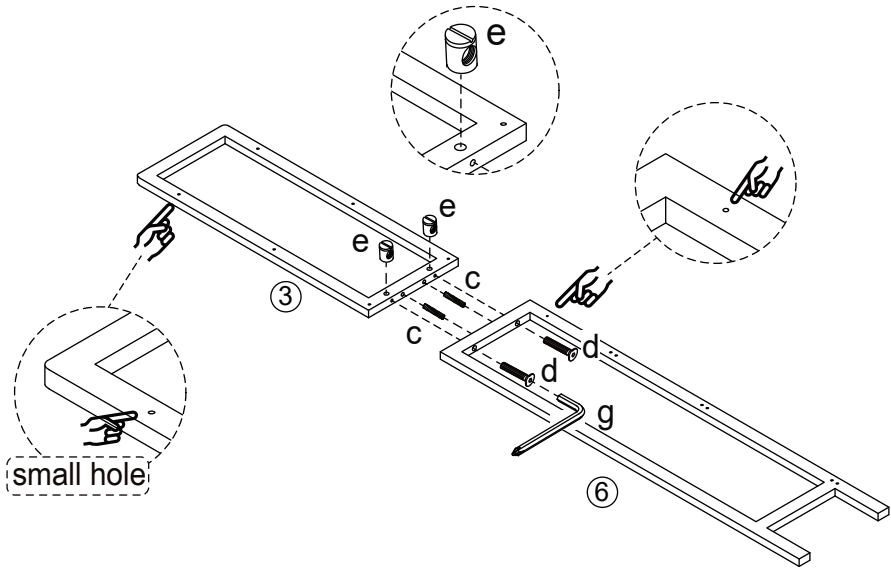
	g		1PC
	h	4X40mm	2PCS
	i	8X30mm	2PCS
	j	4X15mm	2PCS
	k		2PCS
	l		4PCS



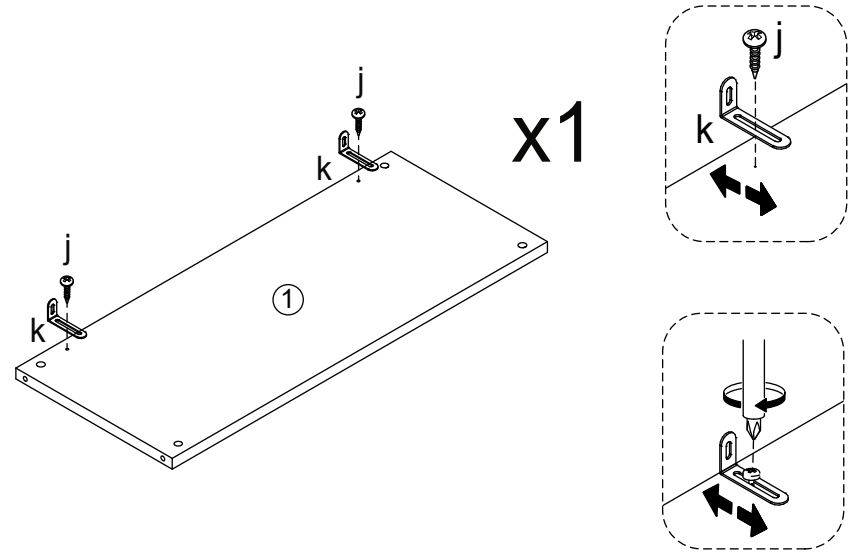
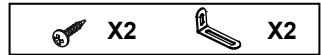
		
① 2 PCS	② 1 PC	③ 2 PCS
		
④ 1 PC	⑤ 1 PC	⑥ 1 PC
		
⑦ 2 PCS		

DO NOT TIGHTEN THE SCREWS UNTIL THE PRODUCT IS FULLY ASSEMBLED.

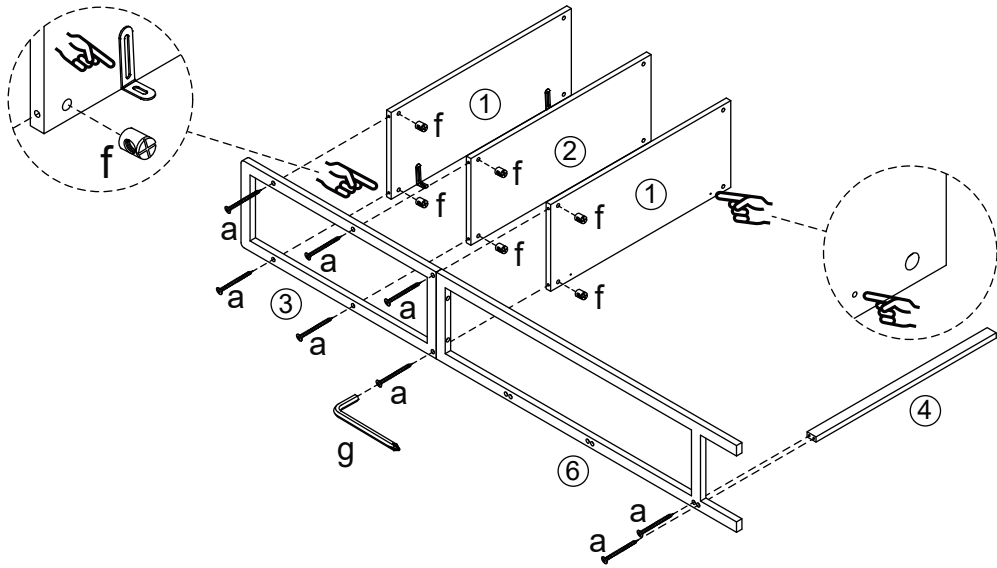
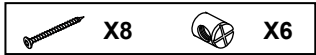
STEP 1



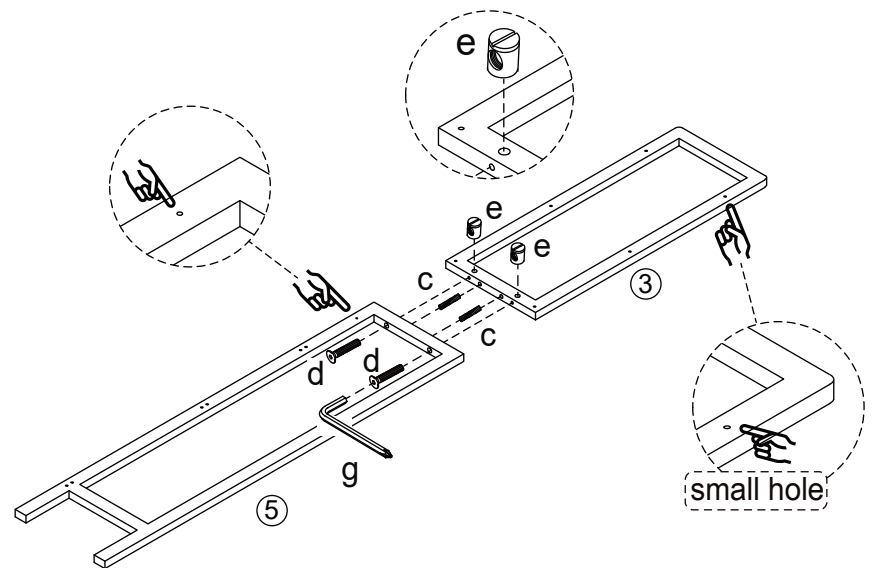
STEP 2



STEP 3

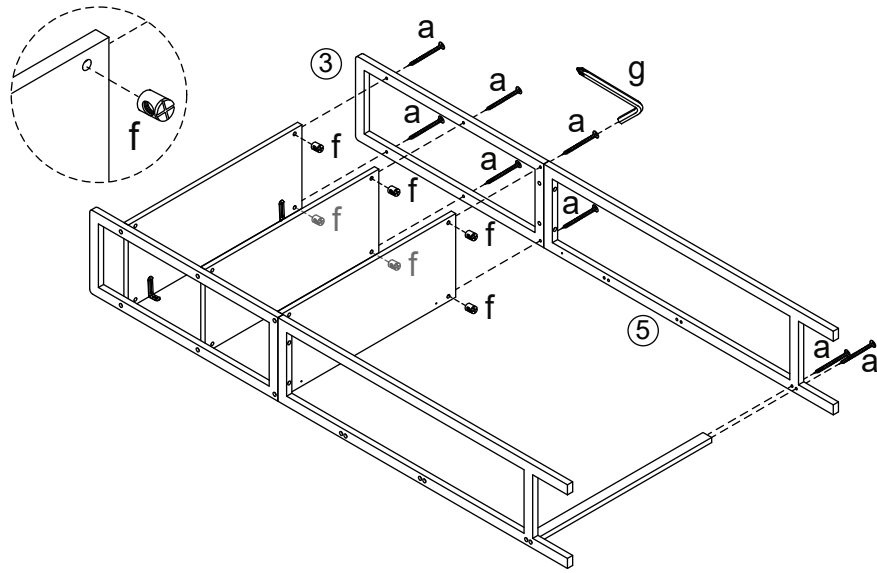


STEP 4



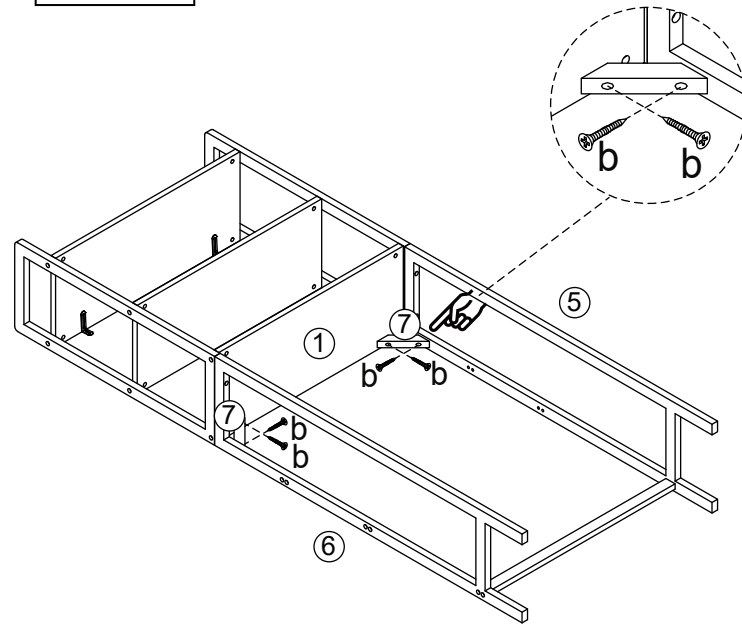
STEP 5

 X8  X6



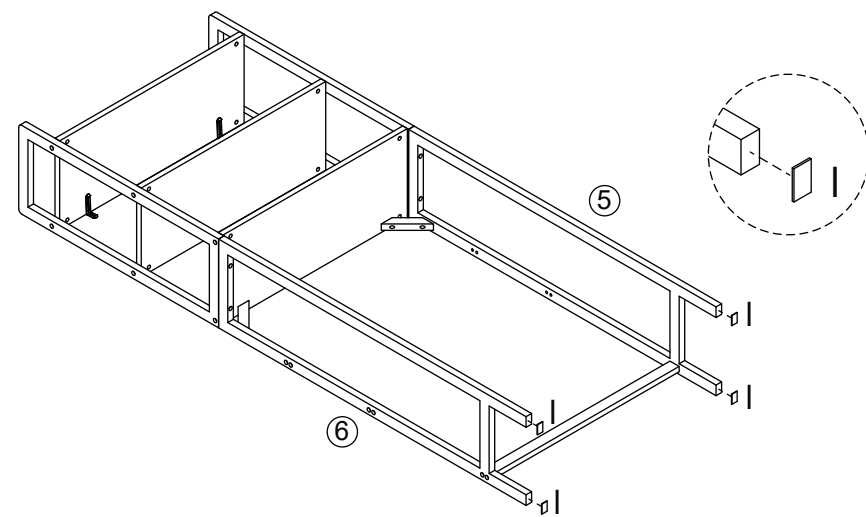
STEP 6

 X4





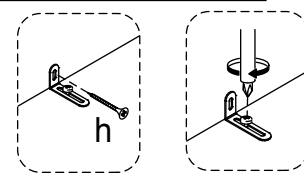
STEP 7

 X4



STEP 8

 X2  X2



Warning:

- It is strongly recommended that this product is permanently fixed to the wall.
- Please seek professional advice if you are in doubt of what fixing device to use.
- Regularly check that anchors are securely maintained.
- Stability of tall items may be affected by thick pile carpet or uneven floors.
- Do not place unanchored televisions on cabinet.

Caution: for your safety when attaching the anchor fixings, please note the following:

- Check any electrical wires or plumbing inside the wall before drilling any holes (if you are unsure please seek professional advice from a qualified tradesperson).



TOPPLING HAZARD

WARNING: PLEASE SECURE YOUR FURNITURE WITH THE SUPPLIED WALL FIXING. SCAN THE CODE FOR MORE INFORMATION.



