

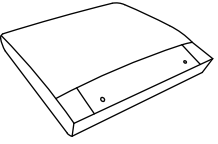
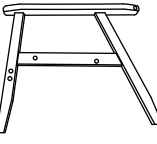
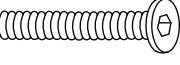
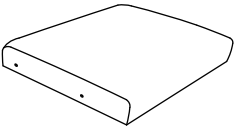
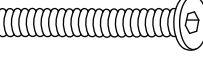

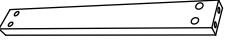

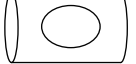
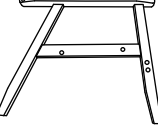


# Assembly Instructions

## 43270866 TIMBER BOUCLE CHAIR

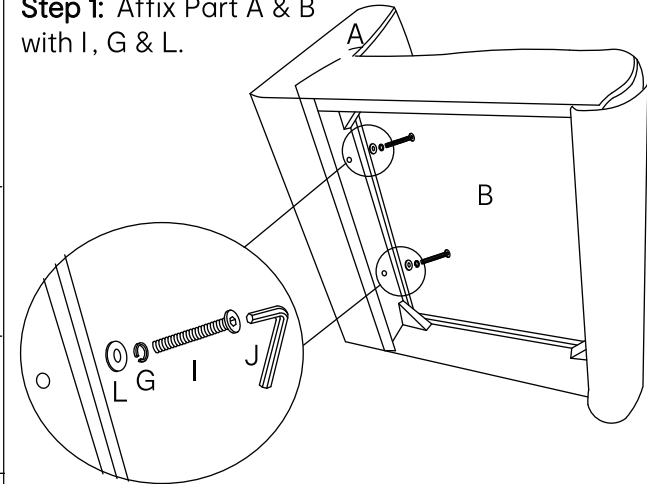
**CARE INSTRUCTIONS:** WIPE CLEAN WITH A SOFT DAMP CLOTH. DO NOT USE ABRASIVE MATERIAL AND SOLVENTS. SPOT CLEAN IF NEEDED. KEEP AWAY FROM WATER AND DIRECT SUNLIGHT. STORE IN A DRY PLACE. CHECK AND TIGHTEN ALL PARTS REGULARLY. FOR INDOOR AND DOMESTIC USE ONLY.

**WARNING:** DO NOT STAND ON THIS CHAIR. USE ONLY ON A FLAT SURFACE. SUITABLE FOR ONE PERSON USE ONLY. DO NOT USE UNTIL ALL SCREWS, BOLTS AND KNOBS ARE FIRMLY SECURED. THIS PRODUCT CONTAINS SMALL PARTS AND SHARP POINTS, KEEP AWAY FROM CHILDREN AND BABIES. ADULT ASSEMBLY REQUIRED. DO NOT TIGHTEN THE SCREWS FULLY DURING ASSEMBLY. FULLY TIGHTEN SCREWS AFTER THE FINAL ASSEMBLY STEPS. DO NOT TIGHTEN THE SCREWS FULLY DURING ASSEMBLY. FULLY TIGHTEN SCREWS AFTER THE FINAL ASSEMBLY STEPS. FAILURE TO FOLLOW THESE WARNINGS COULD RESULT IN SERIOUS INJURY.

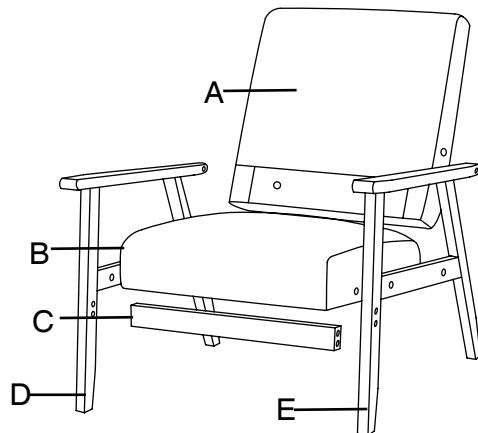
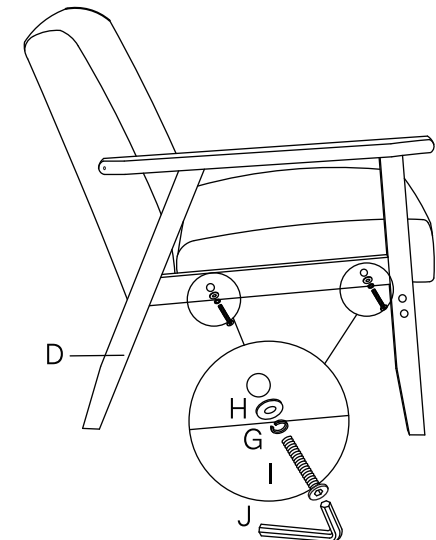
**MAXIMUM SAFE LOAD: 100KG.**

Ax1 	Ex1 	Ix6  M8 x 50
Bx1 	Fx6  M8 x 60	Jx1 
Cx1 	Gx12 	Kx4 
Dx1 	Hx10  M8*Φ14	Lx2  M8*Φ22

**Step 1:** Affix Part A & B with I, G & L.

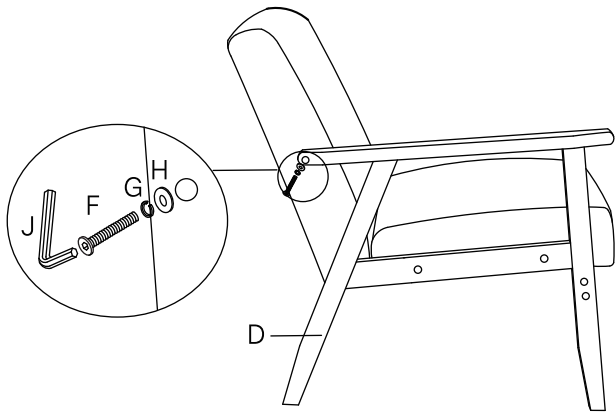


**Step 2:** Affix Part D as per diagram with G,H,I.

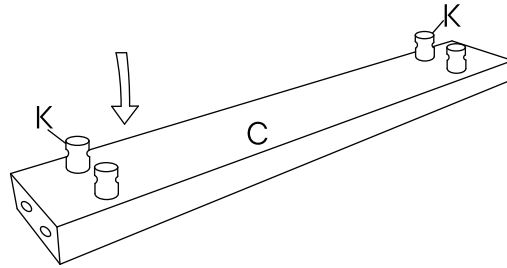


Do not tighten the screws fully during assembly.  
Fully tighten screws after the final assembly steps

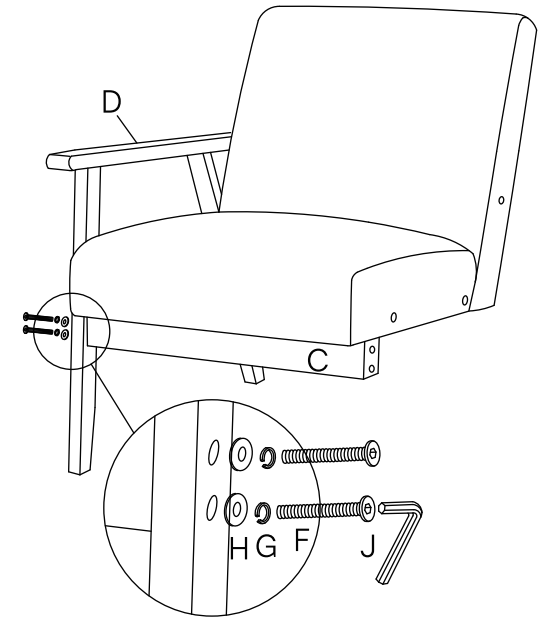
**Step 3:** Affix Part D as per diagram with G,H,F.



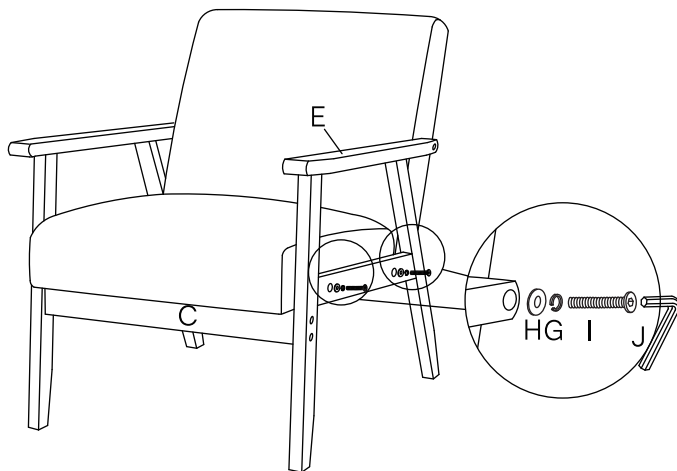
**Step 4:** Put Part K into part C (as per below diagram).



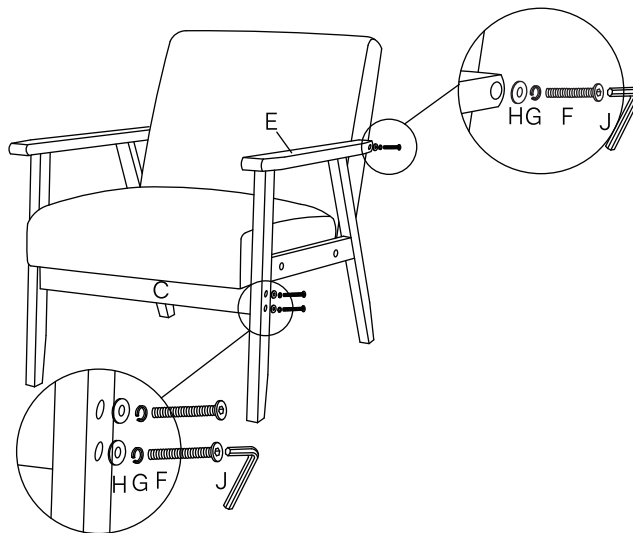
**Step 5:** Affix Part C into Part D as per diagram.



**Step 6:** Affix Part E as per diagram with H,G&I.



**Step 7:** Affix Part E as per diagram with H,G&F.



**Step 8:** Tighten all screws then assembly is complete.

