

Assembly Instructions

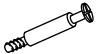







43267286 SORENTO BEDSIDE TABLE





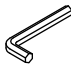
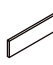
CARE INSTRUCTION: Wipe clean with a soft damp cloth. Do not use abrasive material and solvents. Store in a dry place. Check and tighten all parts regularly. For indoor and domestic use.

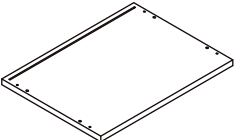
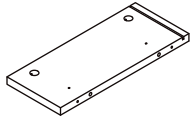
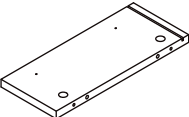
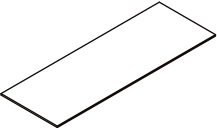
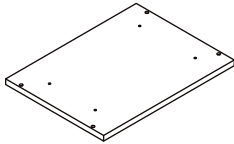
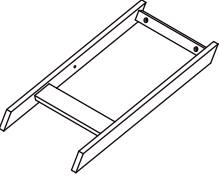
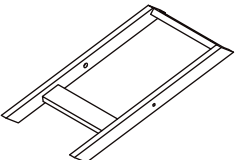
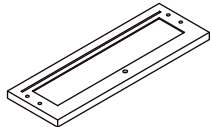
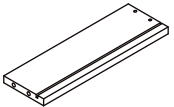
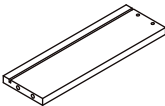
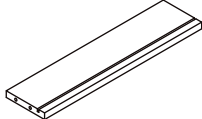
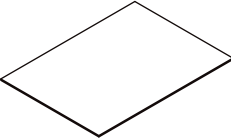
WARNINGS: Do not stand, sit, or lean on the product. Do not drag the product. Use only on a flat surface. Do not use until all screws, bolts and knobs are firmly secured. This product contains small parts and sharp points, keep away from children and babies. Adult assembly required. Failure to follow these warnings could result in serious injury.

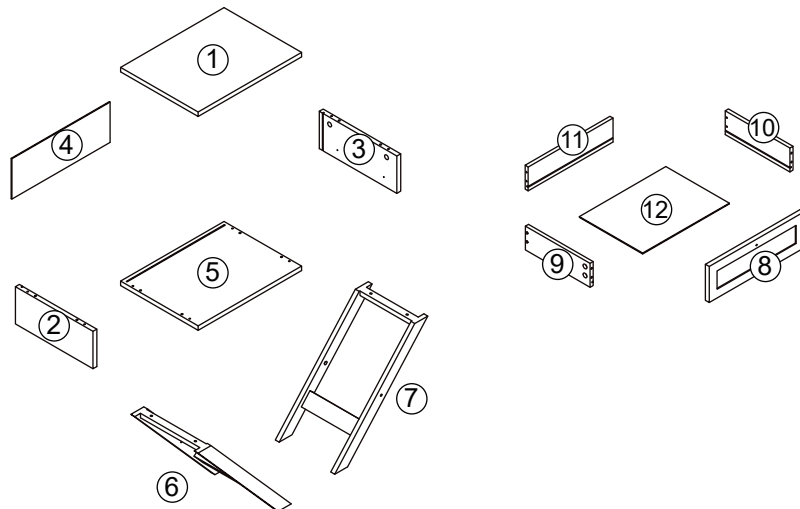
MAXIMUM TOTAL LOADING WEIGHT: 3KGS FOR TOP OF TABLE, 2KGS FOR DRAWER.

Hardware list

	a		8PCS
	b		8PCS
	c	6X30mm	8PCS
	d	3X12mm	8PCS
	e	4X35mm	8PCS
	f	4X18mm	1PC
	g		1PC
	h	6X25mm	6PCS

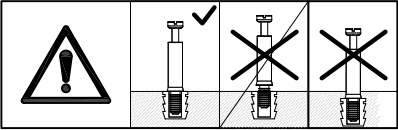
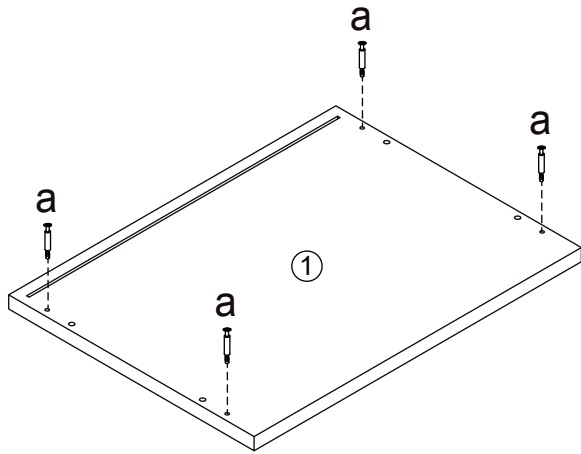
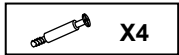
	i		1PC
	j		1PC
	k		1PC
	l		1PC
	m		1PC
	n		4PCS

	①	1 PC		②	1 PC		③	1 PC
	④	1 PC		⑤	1 PC		⑥	1 PC
	⑦	1 PC		⑧	1 PC		⑨	1 PC
	⑩	1 PC		⑪	1 PC		⑫	1 PC

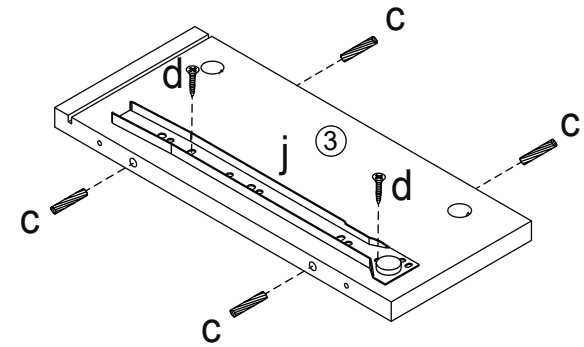
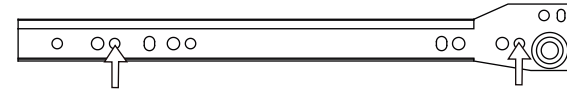


DO NOT TIGHTEN THE SCREWS UNTIL THE PRODUCT IS FULLY ASSEMBLED.

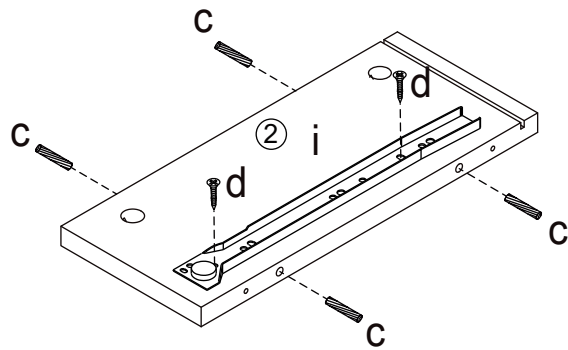
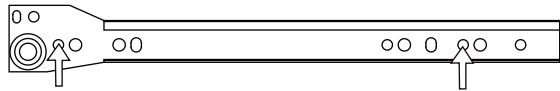
STEP 1



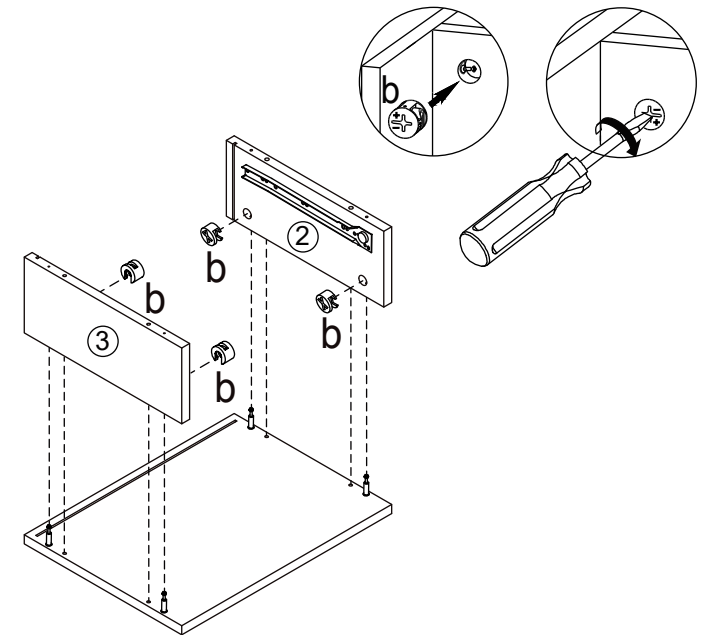
STEP 2



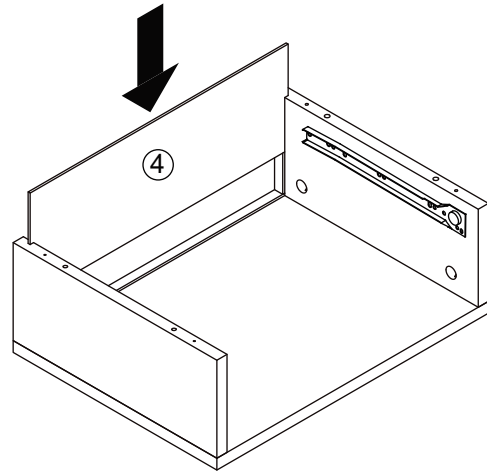
STEP 3



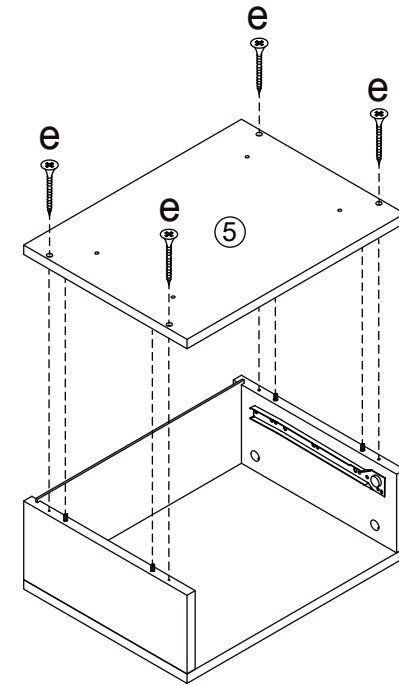
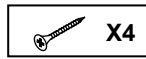
STEP 4



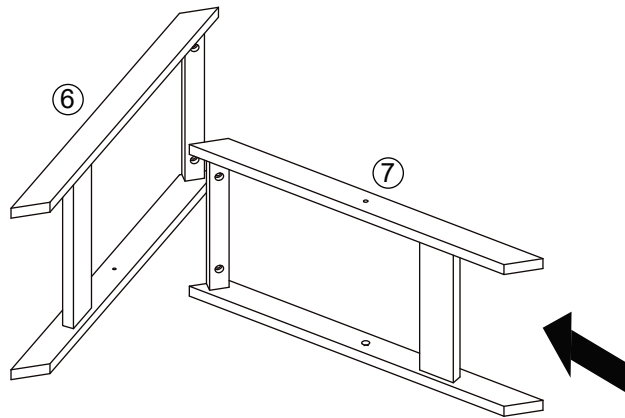
STEP 5



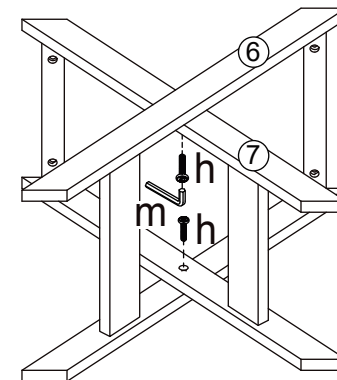
STEP 6



STEP 7



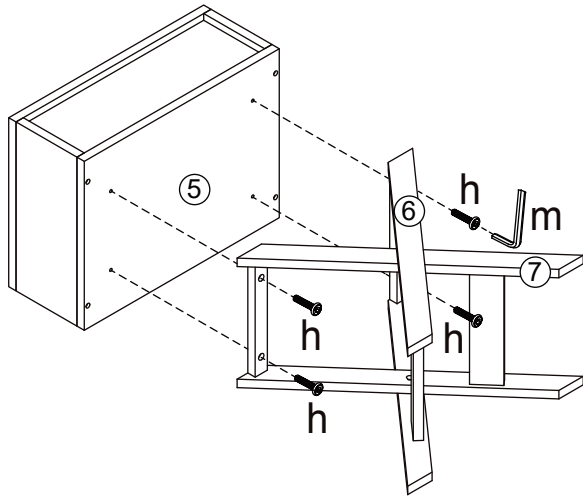
STEP 8



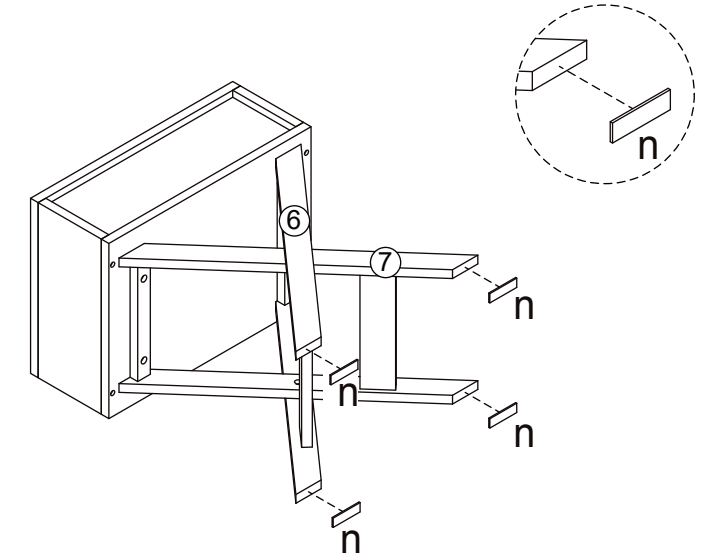
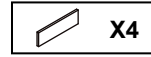
STEP 9



x4



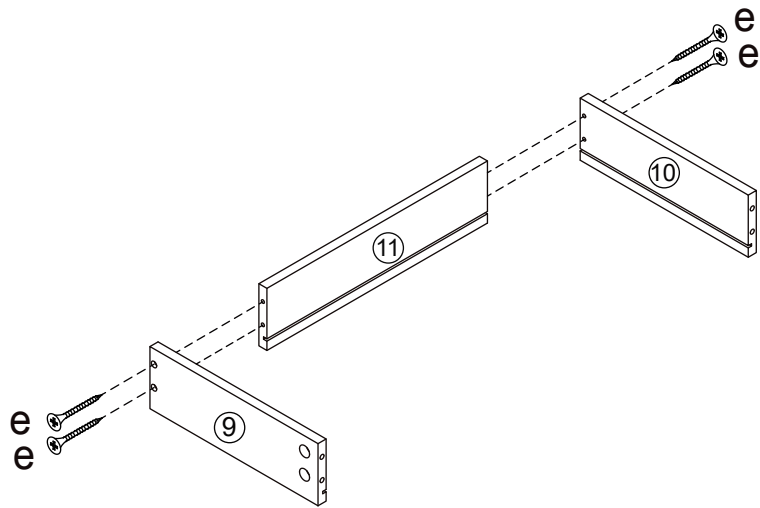
STEP 10



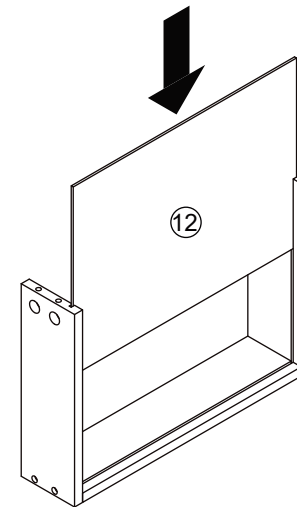
STEP 11



x4

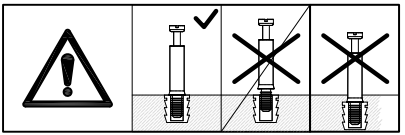
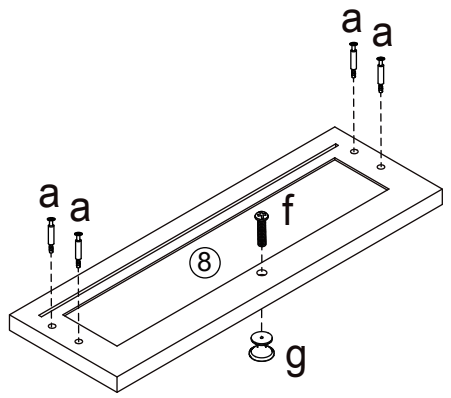


STEP 12




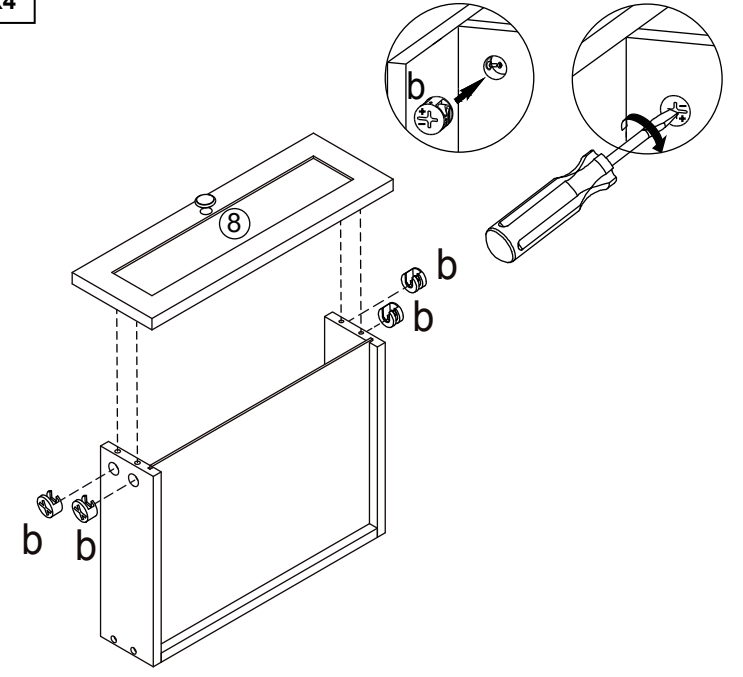
STEP 13

-  x4
-  x1
-  x1






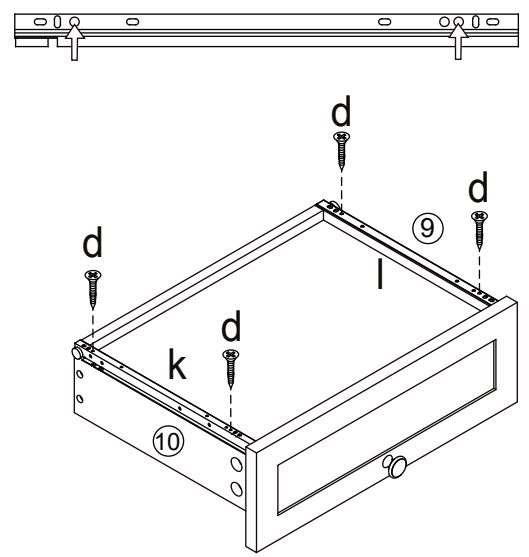
STEP 14

-  x4



STEP 15

-  x4
-  x1
-  x1



STEP 16

