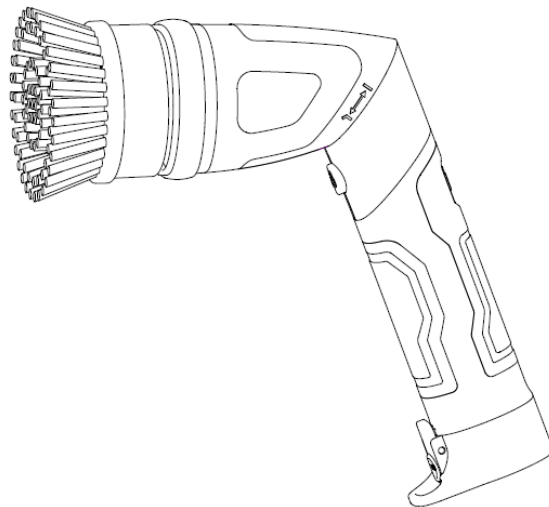


anko

Handheld Scrubbing Brush

B-817

User Manual



**PLEASE READ AND SAVE THESE
INSTRUCTIONS FOR FUTURE REFERENCE**

IMPORTANT SAFEGUARDS

When using any electrical product, always follow these basic safety precautions:



READ ALL INSTRUCTIONS BEFORE USE.

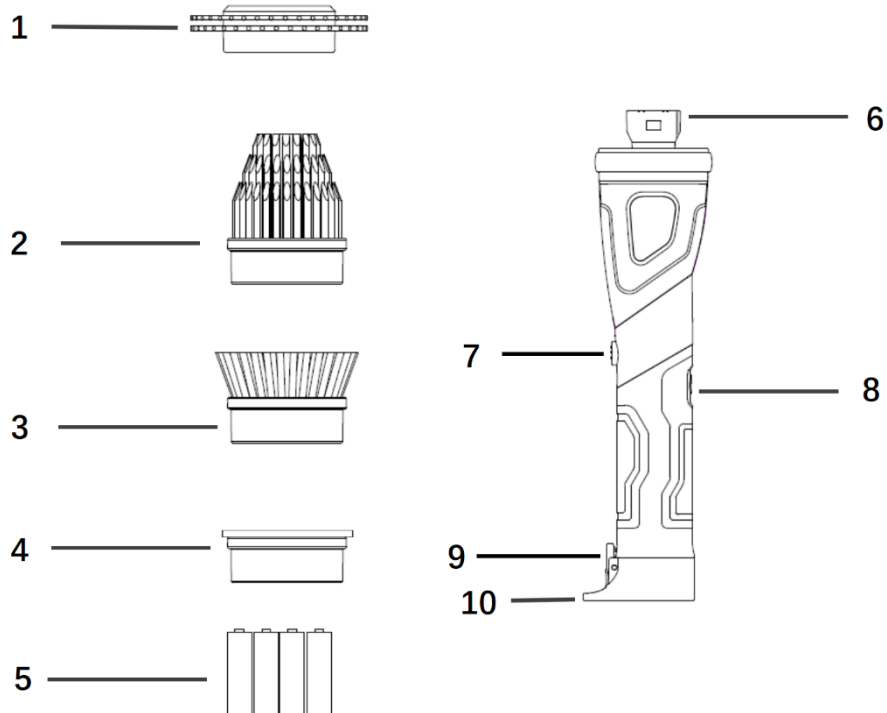
1. Please read all instructions carefully before using this product.
2. Do not immerse the main unit in water or other liquids to avoid damage to the motor.
3. This appliance is not intended for use by persons (including children) with reduced physical, sensory or mental capabilities, or lack of experience and knowledge, unless they have been given supervision or instructions concerning use of the appliance by a person responsible for their safety.
4. Children should be supervised to ensure that they do not play with the appliance.
5. Use of accessories not recommended or supplied with the product may cause personal injury.
6. For electrical safety, any repairs to the product should be carried out by a qualified electrical person only or the product must be disposed.
7. This appliance must be always used in accordance with the user instructions supplied with the product and must not be used for other purposes.
8. Switch OFF the appliance before changing accessories.
9. Before use the product, please check if the brush is fixed in place.
10. Do not direct the brush at people to avoid injury.
11. Do not operate the product near the any explosive flammable object or liquid.
12. Keep hair, loose clothing, jewelry etc. and all parts of body away from moving parts.
13. Always wear eye protection when using the scrubber with irritating substances. You may also use rubber gloves.

CAUTION!

- This product is for household use only and not designed for commercial use.
- Do not expose the product to high temperatures, strong magnetic fields, near flammable and explosive gases (such as natural gas, methane, etc.) to avoid accidents such as abnormal operation or fire.
- Cleaning and user maintenance shall not be made by children without supervision.
- **WARNING: Keep the appliance dry.**
- Non-rechargeable batteries are not to be recharged.
- Batteries are to be inserted with the correct polarity.
- Exhausted batteries are to be removed from the appliance and safely disposed of.
- If the appliance is to be stored unused for a long period, the batteries should be removed.
- The supply terminals are not to be short-circuited.
- Type of Battery: 1.5V AA
- Open the cover, insert the battery with correct polarity, then closed the cover correctly.





**SAVE THESE INSTRUCTIONS
FOR FUTURE REFERENCE**

KNOW YOUR HANDHELD SCRUBBING BRUSH



1. Crevice brush
2. Cone brush
3. Flat brush
4. Nylon pad brush
5. 4*1.5V dry battery

6. Driving shaft
7. Rotating button
8. On/Off button
9. Battery cover button
10. Hook

	Crevice brush: ideal for cleaning hard-to-reach spots such as gaps, corners and joints.
	Nylon pad brush: ideal for cleaning pots as well as cooker and hob surfaces
	Flat brush: Ideal for large jobs with lots of flat surface area such as floor and wall.
	Cone brush: Great for cleaning uneven surface areas, such as wash basins, taps and fittings.

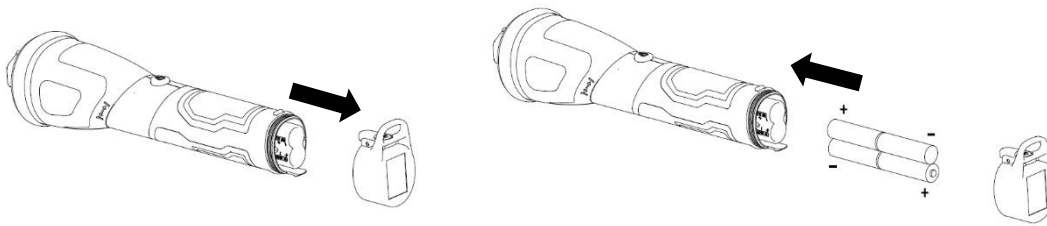
IMPORTANT!

Please make sure that your appliance is received with the right components shown above. Check everything carefully before use. If any part is missing or damaged, do not use. Return the product to Kmart for replacement.

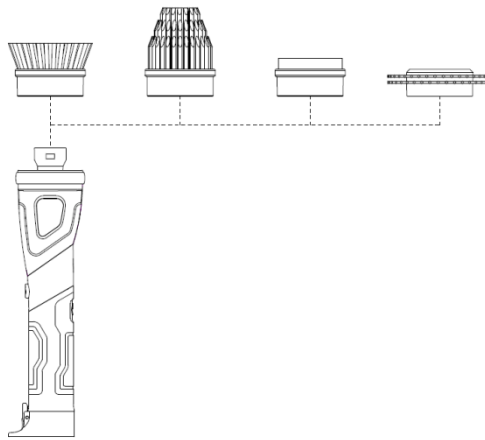
When using the appliance for the first time, carefully remove all internal and external packaging, protective film and accessories.

USING YOUR HANDHELD SCRUBBING BRUSH

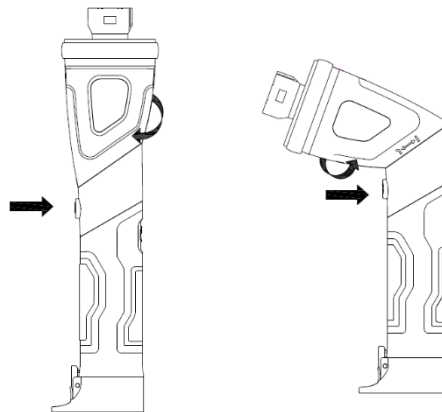
1. Press the battery cover button to remove the lid.
2. Assemble 4pcs 1.5V dry batteries (alkaline batteries recommended) into the product, cover the lid.



3. Firmly hold the product and press the selected scrubber head on until secured.



4. To choose a comfortable position to use the scrubbing brush, push and hold the rotating button, rotate 180° until you hear a click sound, then release the button.



5. Press the On/off button, the scrubbing brush start to work. Press the On/off button again to turn off the scrubbing brush.

Tips for better performance:

- This appliance can work with different kinds of cleaners such as spray, foam, gel, liquid, as well as bleach. Frictional cleansers should not be used.
- **⚠ Warning! Please wear gloves and glasses for personal protection.**
- If you are not sure the surface can be used with the brush, you can test it on inconspicuous area first before proceeding.
- Please power off the appliance before removing from the cleaning surface to avoid spraying water.

- The scrubbing brush is powerful, excessive force is not required. It is better to brush in a circular motion for big areas. To avoid damage to the surface do not keep brushing in a small area or on the same spot for a long time.

CLEANING AND STORAGE

- Remove the batteries before cleaning the scrubbing brush or during storage.
- Clean the product regularly and clean the accessories after each use to maintain optimal performance and prolong the life of the product.
- Do not use a steel ball, abrasive cleaners or corrosive liquid (such as gasoline, acetone) to clean the product.
- The main unit can be wiped with mild detergent and soft sponge. Do not rinse, soak or spray water or other liquids into the product to avoid damage to the appliance.
- Soak the brushes in soapy water before rinsing.
- Ensure the product is clean and dry before storage.
- Store the product indoors in cool and dry location.

BATTERY DISPOSAL

Batteries contain substances harmful to our environment. Do not dispose the appliance with batteries inside. Remove the batteries and hand it over to your local council recycling point for environmental protection.

TECHNICAL SPECIFICATION

Input: 6Vd.c. (4x 1.5V AA Battery)

Water proof rating: IPX7

Operating temperature: 0°C to 35°C

Storage temperature: -10°C to 45°C

Atmospheric humidity: Max. 85% relative humidity

12 MONTH WARRANTY

Thank you for your purchase.

Your new product is warranted to be free from defects in materials and workmanship for the period stated above, from the date of purchase, provided that the product is used in accordance with accompanying recommendations or instructions where provided. This warranty is in addition to your rights under the Australian Consumer Law.

For New Zealand customers, this warranty is in addition to statutory rights observed under New Zealand legislation.

We will provide you with your choice of a refund, repair (where possible) or exchange (availability dependent) for this product if it becomes defective within the warranty period. The business will bear the reasonable expense of claiming the warranty.

This warranty will no longer apply where the defect is a result of alteration, accident, misuse, abuse or neglect.

Please retain your receipt as proof of purchase and contact our Customer Service Centre as listed below, for the entity you purchased this product from, for any difficulties with your product. Warranty claims and claims for expense incurred in returning this product can be addressed to the respective Customer Service Centre.

Our goods come with guarantees that cannot be excluded under the Australian Consumer Law. You are entitled to a replacement or refund for a major failure and compensation for any other reasonably foreseeable loss or damage. You are also entitled to have the goods repaired or replaced if the goods fail to be of acceptable quality and the failure does not amount to a major failure.

Contact for Kmart purchases	Contact for Target purchases
Kmart Australia Ltd. C/- Customer Service Centre 690 Springvale Road, Mulgrave Vic 3170 Customer Service: 1800 124 125 (Australia) or 0800 945 995 (New Zealand) or via Customer Help at kmart.com.au	Target Australia Pty Ltd C/- Customer Service Centre 2 Kendall Street, Williams Landing, Vic, 3027 Customer Service: 1300 753 567 or via Customer Help at target.com.au/help/contact-us