

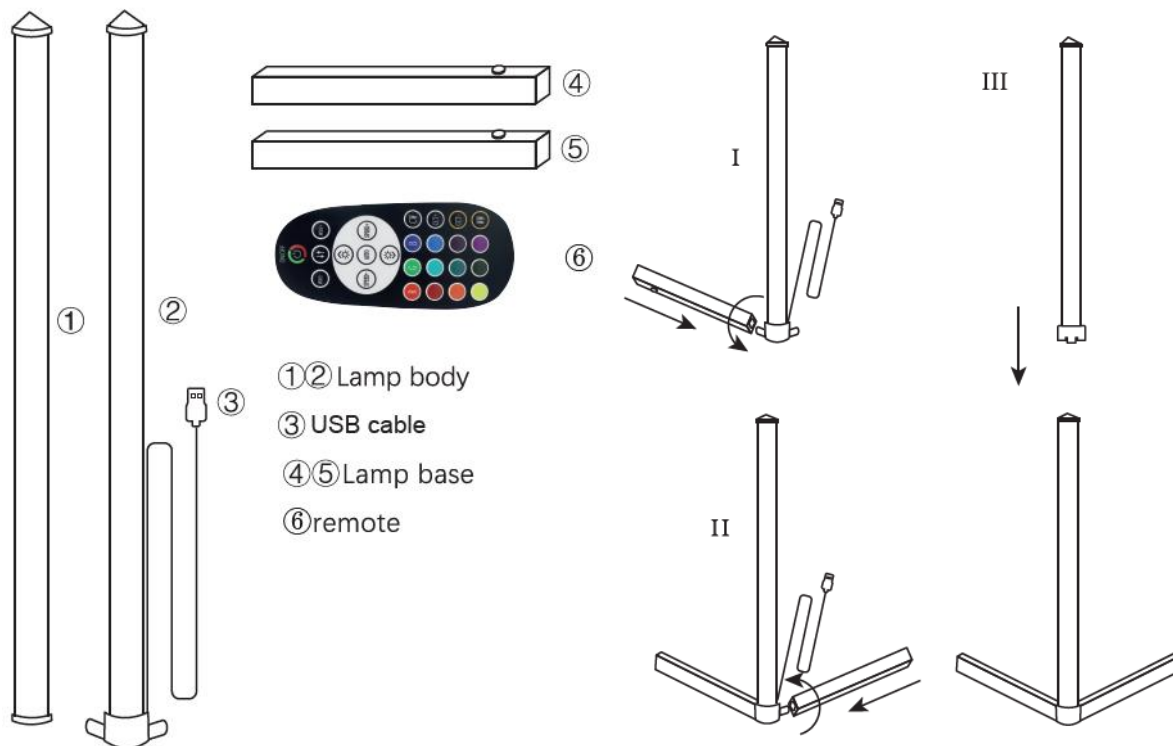
ANKO 1.4M RGB Pixel Corner Light

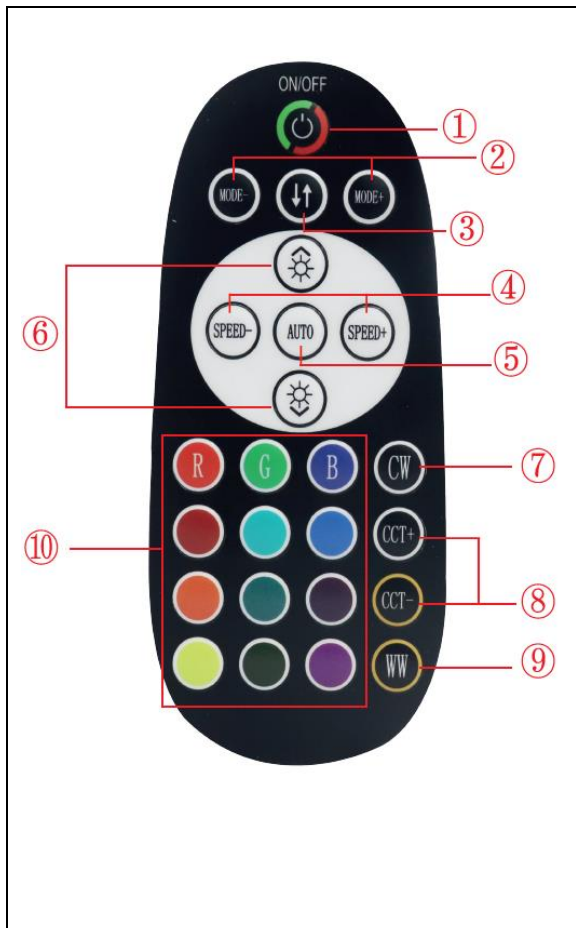
Read all instructions carefully, even if you are quite familiar with the product. Keep the user manual for future reference.

Care And Maintenance

- This is not a toy. Close attention is necessary when used nearby children.
- Clean the product with a soft, dry cloth. Do not use any form of abrasive cleaner or solvents to clean the unit.
- Caution: Never use a damaged product (e.g., worn & damaged cable, cracked casing).
- Use with standard 5V USB adaptor or phone charger (adaptor is not included)
- Do not place it next to high temperature objects such as heater, or use it in wet place such as bathroom
- Do not place the lamp on an uneven or inclined surface
- Please operate according to the instructions
- NON-replaceable LED inside
- Cut off the power supply before carrying out clean and maintaining process to prevent electric shock

Product Assembly





IR remote use 2 x AAA batteries (not included)

1. ON/OFF power button
2. Change lighting modes
3. Change LED movement direction
4. Increase and decrease dynamic speed
5. AUTO mode, Red Green Blue chasing
6. Brightness increase or decrease when lamp is in single color
7. Cool White
8. Increase or decrease white light colour temperature
9. Warm White
10. Single Color mode

Mode List

1	3 colour chasing
2	6 colour chasing
3	3 colour superimposed
4	6 colour superimposed
5	3 colour opening / closing
6	6 colour opening / closing
7	Full color flowing
8	7 colour jump

Battery replacement

To replace batteries:

1. Carefully open battery compartment and remove exhausted batteries.
2. Replace with new 2 x AAA batteries (Recommended Alkaline batteries) and refit base.

Battery usage

Do not mix old and new batteries. Replace all batteries of a set at the same time.
 Non-rechargeable batteries are not to be recharged.
 Rechargeable batteries are only to be charged under adult supervision
 Different types of batteries or new and used batteries are not to be mixed
 Insert batteries with the correct polarities.
 Exhausted batteries are to be removed from the product
 Remove batteries when not in use for a prolonged period of time.
 The supply terminals are not to be short-circuited
 Dispose of batteries immediately in accordance with your local council.

Product Specification

Size: 142 x 32.5 x 32.5cm
 Number of LED: 82
 Power input: 5V DC 1A
 Maximum Power: 5W
 Material: Aluminium alloy, PC plastic