

Assembly Instructions



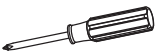
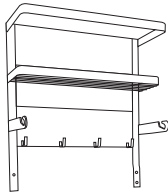
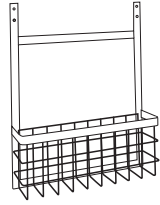
43234240 MAGNETIC LAUNDRY STATION

CARE INSTRUCTIONS: WIPE CLEAN WITH A SOFT DRY OR DAMP CLOTH. CHECK AND TIGHTEN ALL PARTS REGULARLY.

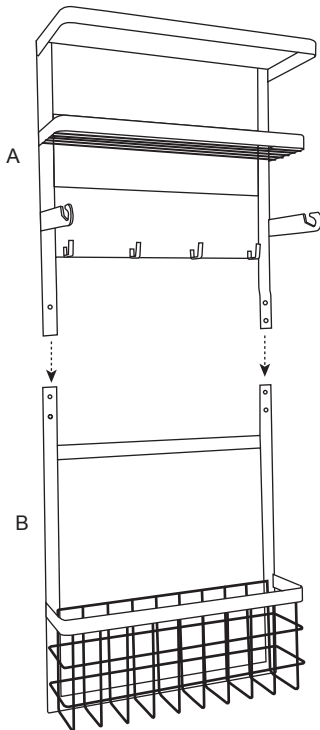
WARNING: THIS PACKAGE CONTAINS SMALL PARTS, KEEP UNASSEMBLED PARTS AWAY FROM CHILDREN AND BABIES.

MAXIMUM LOADING WEIGHT: 5KG.

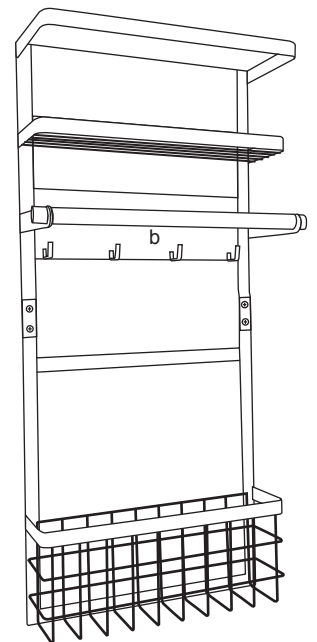
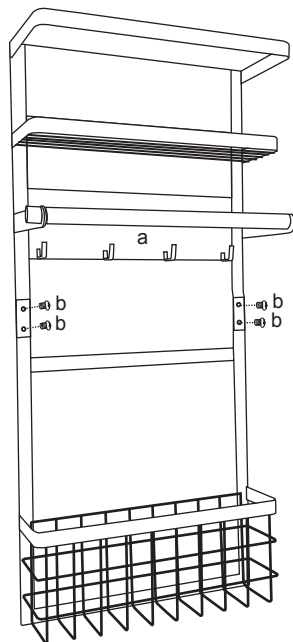
Hardware list

	a	Dia1.5x31cm	1PC
	b	M4x4mm	4PCS
	Tool required Philips Head Screw Driver (Not Provided)		
			
A	1 PC	B	1PC

STEP 1



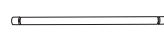
STEP 2



Ax1



Bx1



ax1



bx4