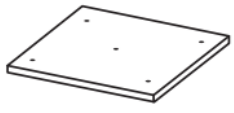
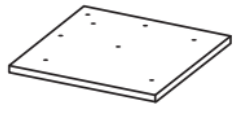
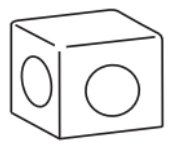
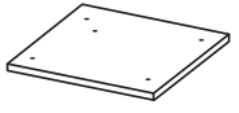
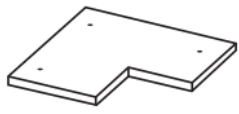
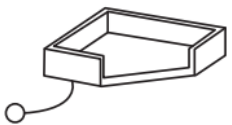
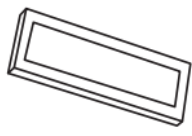


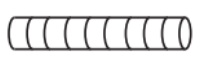
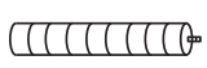
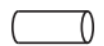
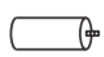
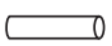
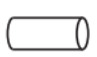










anko

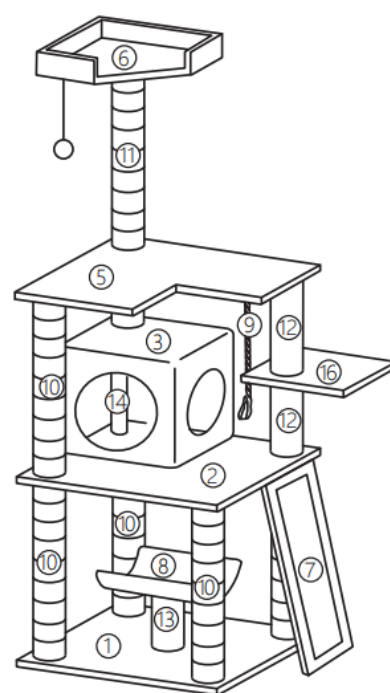
Cat Tower Tall Compartment



Contents

① ×1 	② ×1 	③ ×1 	④ ×1 
⑤ ×1 	⑥ ×1 	⑦ ×1 	⑧ ×1 
⑨ ×1 	⑩ ×5 	⑪ ×1 	⑫ ×2 
⑬ ×1 	⑭ ×4 	⑮ ×1 	⑯ ×1 

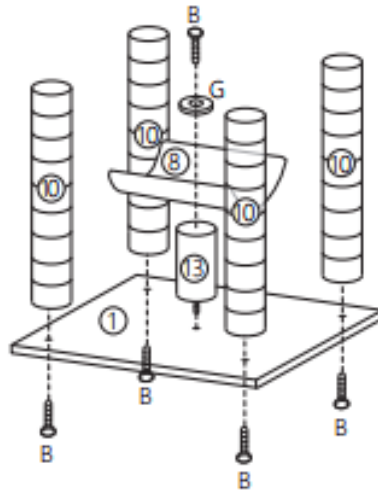
Accessories	Size	Quantities
 A	m5	1
 B	10×40mm	10
 C	10×80mm	4
 D	6×16mm	4
 E	6×35mm	8
 F	\	2
 G	\	1



Instructions

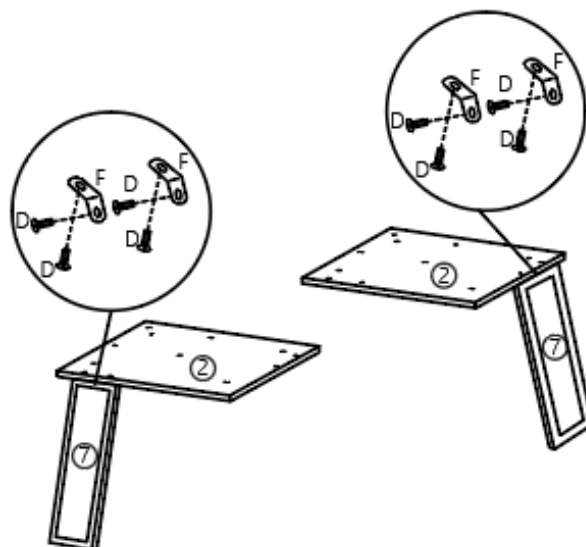
Step 1.

Screw pole No.13 to board No.1 like in the diagram below. Attach hammock No.8 to pole No.13, by using washer G, screw B and provided allen key. Screw poles No.10 into board No.1 using screws B and provided allen key.



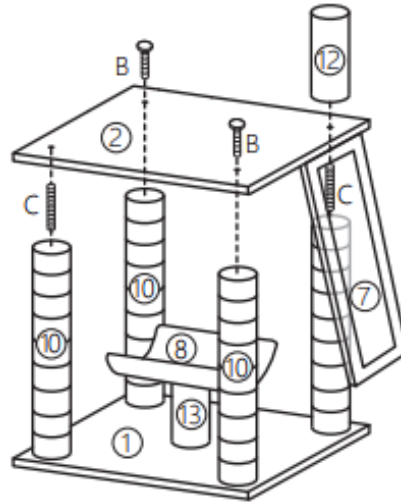
Step 2.

Using the angle iron parts F and screws D, screw the scratch board No.7 to board No.2. There are two positions in which this can be installed. Please refer to the image below:



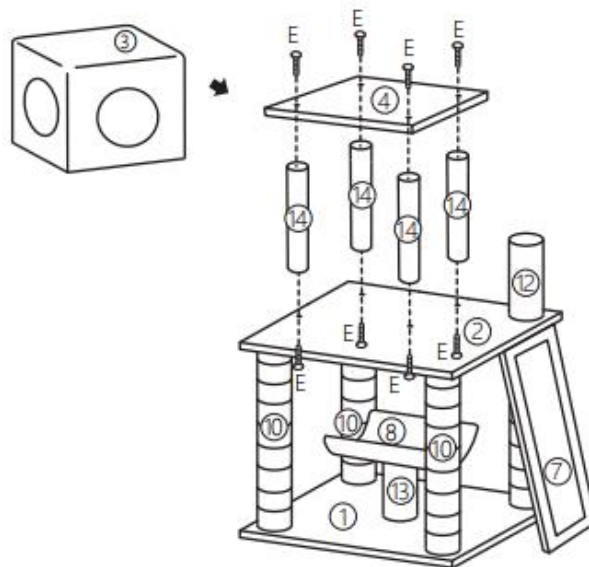
Step 3.

Connect board No.2 to assembled base using screws C and B. Screw pole No.12 onto bolts C. Refer to the image below:



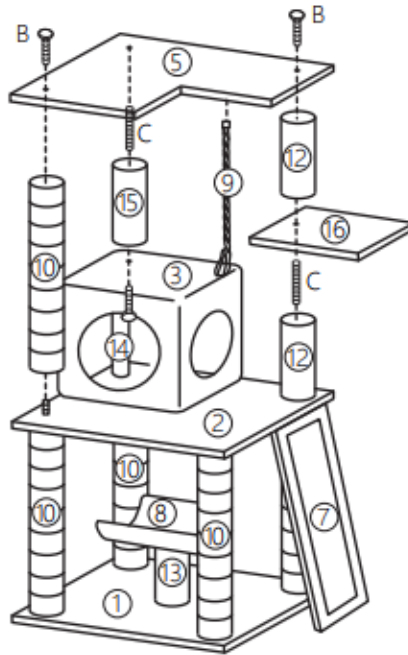
Step 4.

Screw poles No.14 onto board No.2. Connect board No.4, using screws E and allen key. Pull lamb wool cover No.3 onto board No.4, creating a soft cave. Refer to image below:



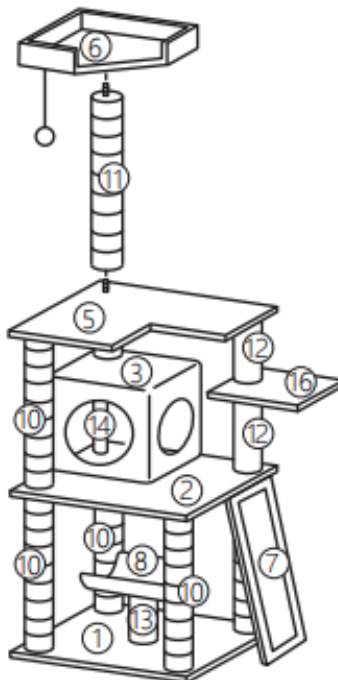
Step 5.

Screw pole No.10 onto bolt C. Using the allen key and screw B, screw pole No. 15 onto the top of cat house. Insert screw C into pole No.12, then attach board No.16 onto screw C . Screw pole No.12 onto the top of board No.16 with screw C. Place screw C into pole No.15, Slide board No.5 onto pole No.15. Secure with screws B through board No.5, into poles No.10 and No.12. Screw rope No.9 under board No.5. Refer to image below:



Step 6.

Add pole No.11 onto screw C which is connected to board No.5, screw top board No.6 onto pole No.11.



WARNING: Pet toy – Not intended for children.

It is the responsibility of the pet owner if this toy is suitable for their pet's style of play.

No pet toy is indestructible and can be damaged during play.

For your pet's safety, inspect regularly and remove if damaged.

Always supervise your pet during play.