

Assembly Instructions

43111428 NOOK BOOKSHELF

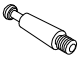




WARNING: DO NOT STAND, SIT OR LEAN ON THE UNIT. DO NOT USE THIS UNIT AS A STEP LADDER. ENSURE THIS UNIT IS USED ONLY ON A FLAT SURFACE. DO NOT USE THIS UNIT UNLESS ALL BOLTS AND SCREWS ARE FIRMLY SECURED. DO NOT PLACE HOT OBJECTS SUCH AS COFFEE CUPS DIRECTLY ON THE SURFACE OF THIS FURNITURE ITEM. THIS ITEM IS FOR STORAGE PURPOSE ONLY. CONTAINS SMALL PARTS. IT IS TO BE ASSEMBLED BY AN ADULT. FAILURE TO FOLLOW THESE WARNINGS COULD RESULT IN SERIOUS INJURY.



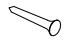
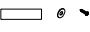
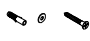
CARE INSTRUCTION: WIPE CLEAN WITH A SOFT DAMP CLOTH. NEVER USE SCOURERS, ABRASIVES OR CHEMICAL SOLVENTS. KEEP AWAY FROM MOISTURE AND DIRECT SUNLIGHT. STORE IN A DRY PLACE FOR INDOOR USE ONLY.

MAXIMUM SAFE LOAD: 5KG FOR SHORT SHELF, 10KG FOR LONG SHELF

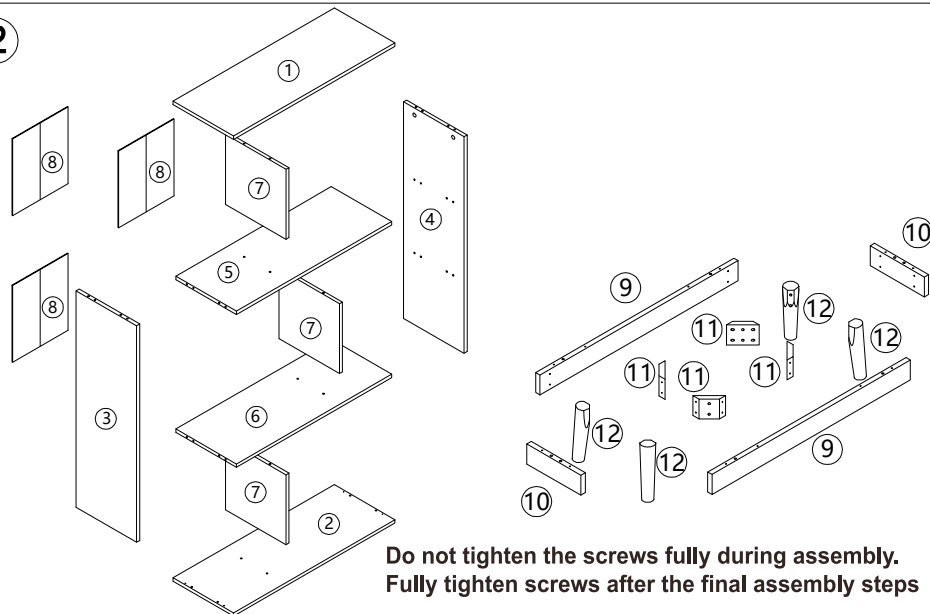
①

Hardware List

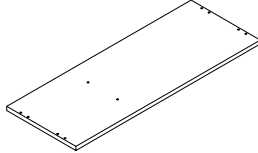
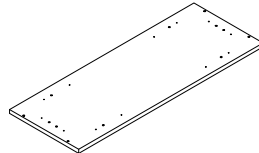
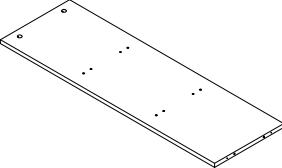
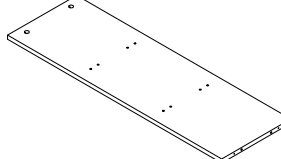
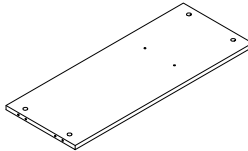
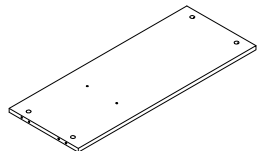
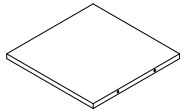
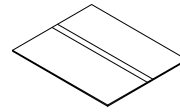
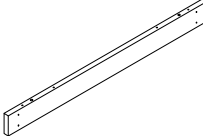
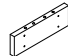
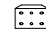
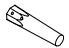
	A	M6x35mm	12pcs
	B	Ø15x9.5mm	12pcs
	C	Ø6x30mm	36pcs
	D	M4x35mm	4pcs
	E	M4x55mm	12pcs

	F	M4x25mm	16pcs
	G	M6x55mm	8pcs
	H	M2x16mm	30pcs
	I	M4x12mm	2pcs
	J	M4x35mm	2pcs

②

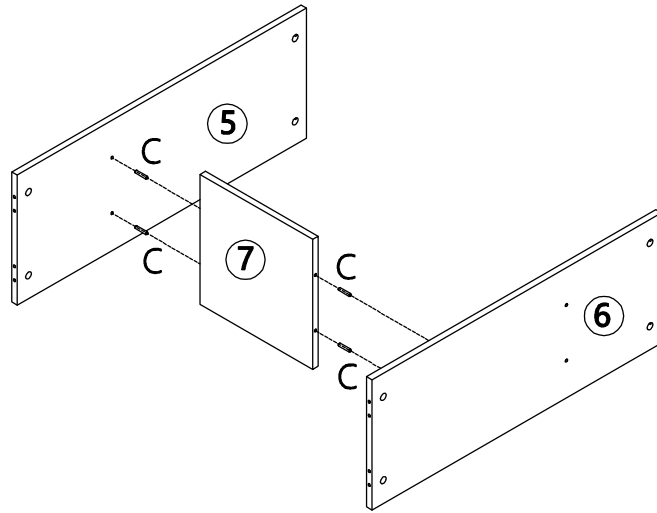


③

	①	1PC		②	1PC		③	1PC
	④	1PC		⑤	1PC		⑥	1PC
	⑦	3PCS		⑧	3PCS		⑨	2PCS
	⑩	2PCS		⑪	4PCS		⑫	4PCS

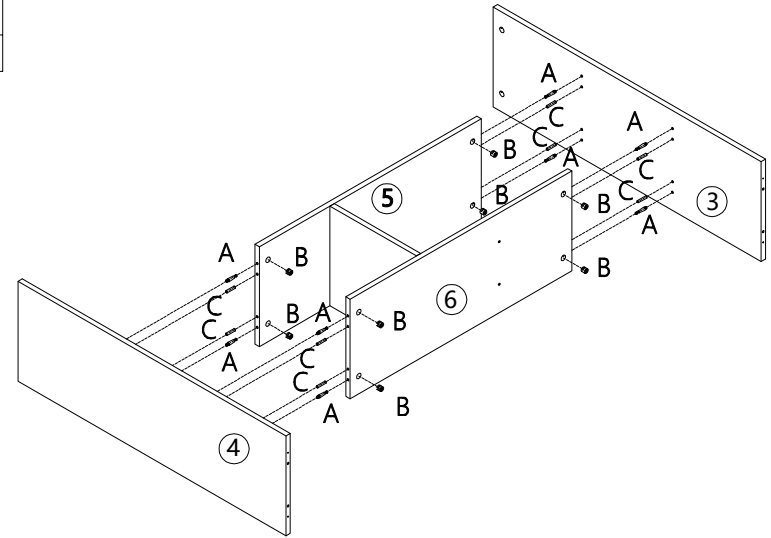
STEP 1:

C x4



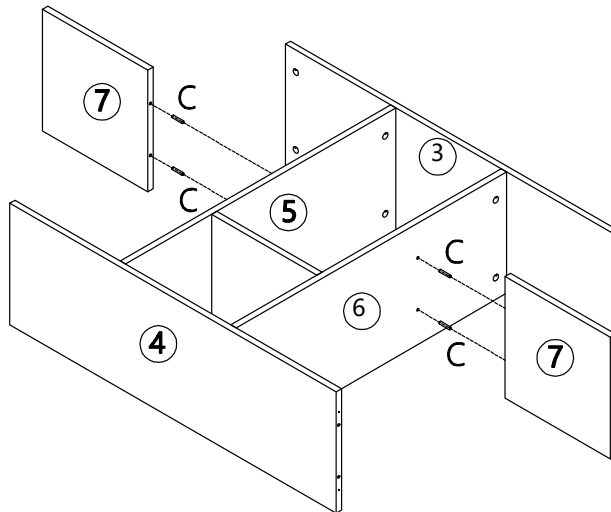
STEP 2:

A x8
B x8
C x8



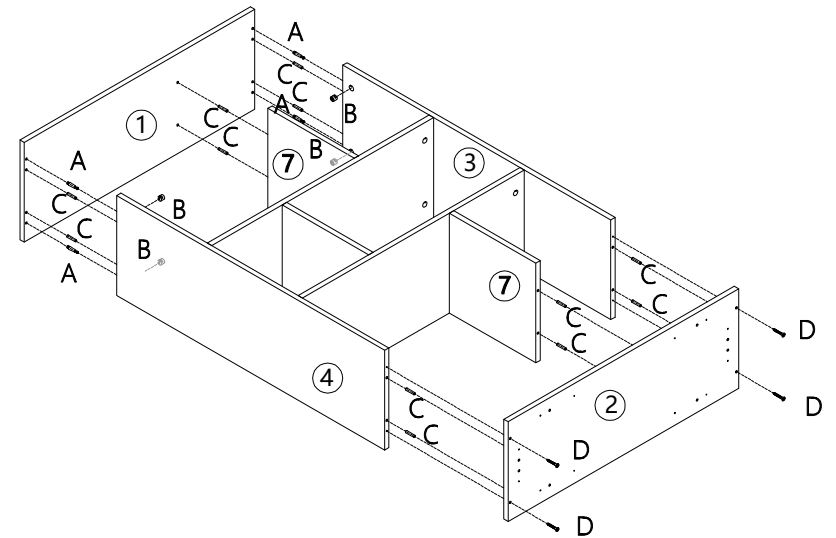
STEP 3:

C x4



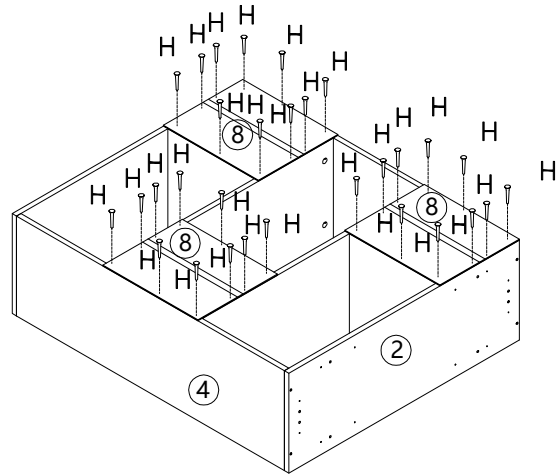
STEP 4:

A x4
B x4
C x12
D x4



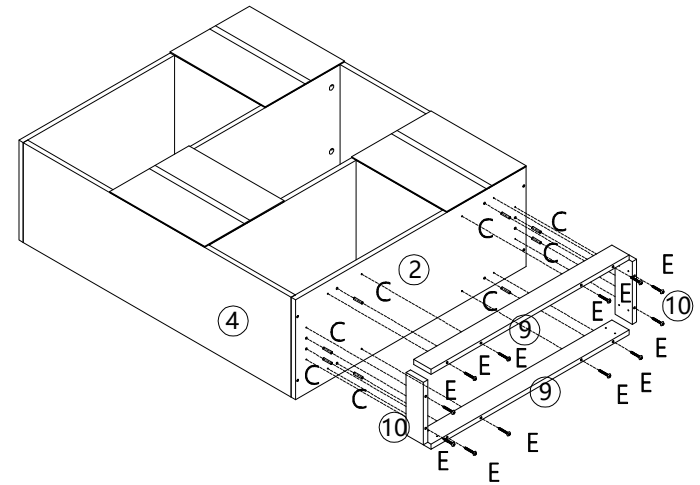
STEP 5:

H x30



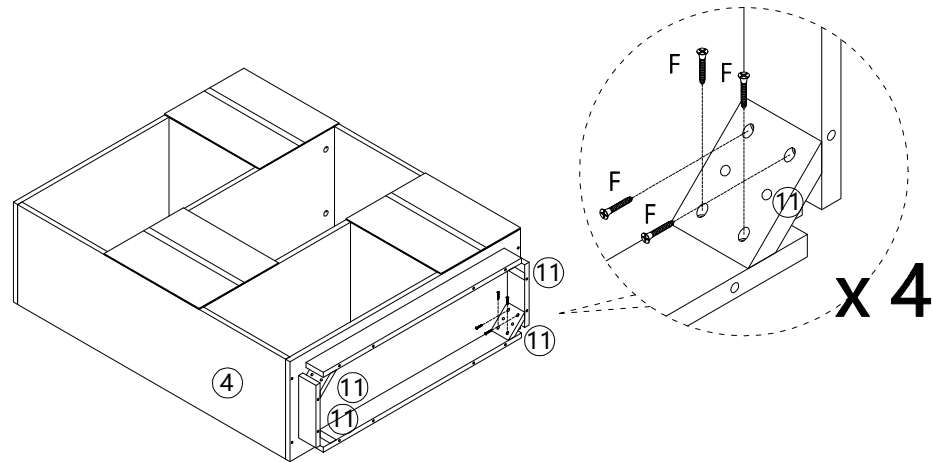
STEP 6:

C x8
E x12



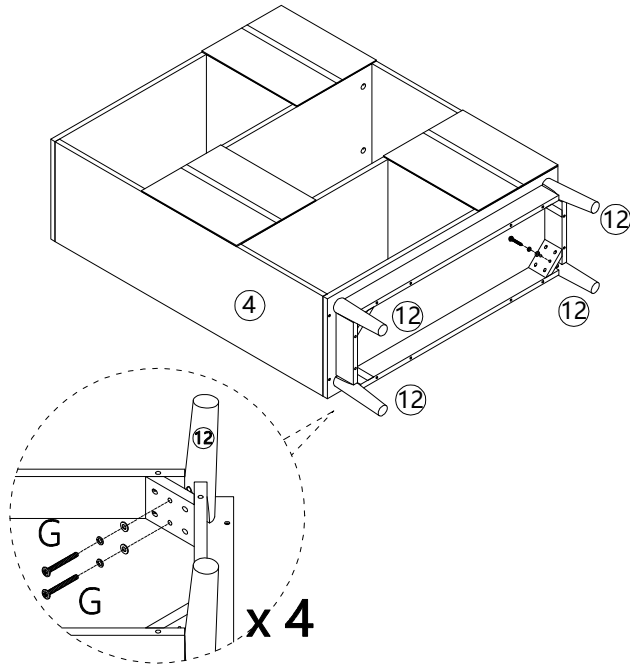
STEP 7:

F x16




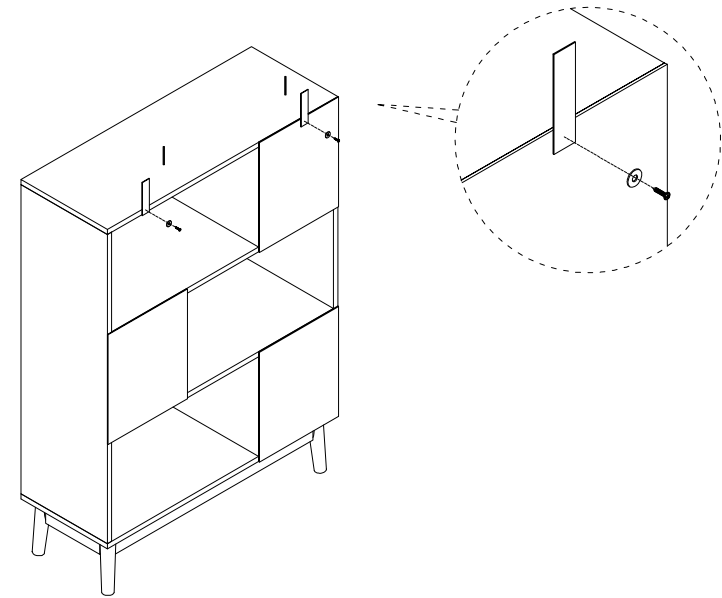
STEP 8:

 G x8



STEP 9:

 I x2



STEP 10:

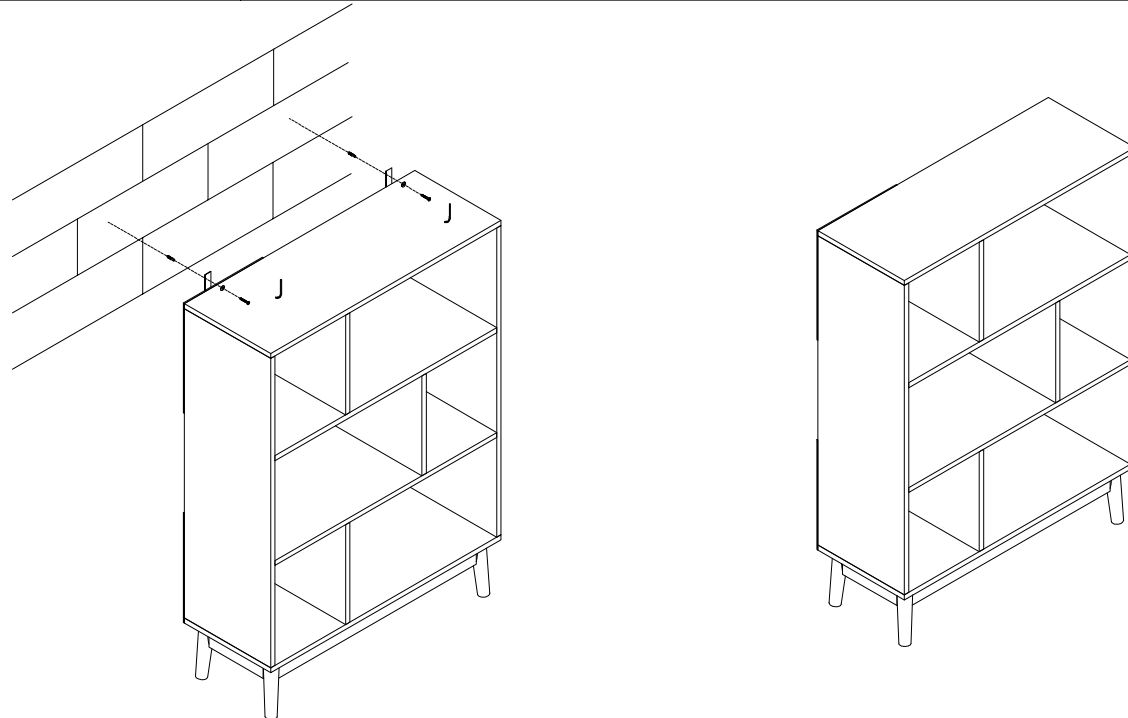
 J x2

User instructions should include the wording:

- **It is strongly recommended that this product is permanently fixed to the wall.**
- **Please seek professional advice if you are in doubt of what fixing device to use.**
- **Regularly check that anchors are securely maintained.**
- **Stability of tall items may be affected by thick pile carpet or uneven floors .**
- **Do not place unanchored televisions on furniture .**

CAUTION: for your safety when attaching the anchor fixings, please note the following:

- **Check any electrical wires or plumbing inside the wall before drilling any holes (if you are unsure please seek professional advice from a qualified tradesperson).**



TOPPLING HAZARD

WARNING: PLEASE SECURE YOUR FURNITURE WITH THE SUPPLIED WALL FIXING. SCAN THE CODE FOR MORE INFORMATION.

