

Assembly Instructions

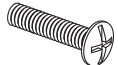


4311138 OVER DOOR TOWEL RACK BLACK



CARE INSTRUCTIONS:

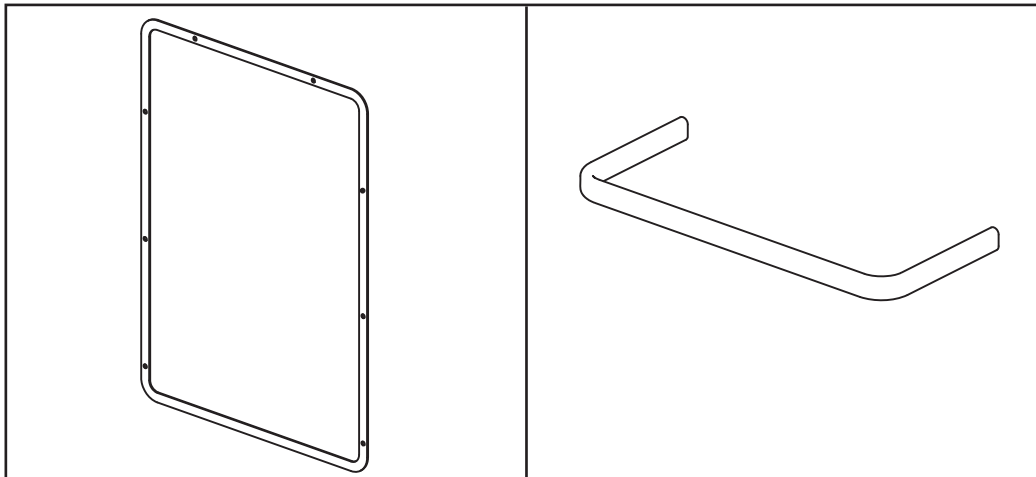
WIPE CLEAN WITH A SOFT DRY OR DAMP CLOTH.

MAXIMUM SAFE LOAD: 1KG FOR EACH TIER.

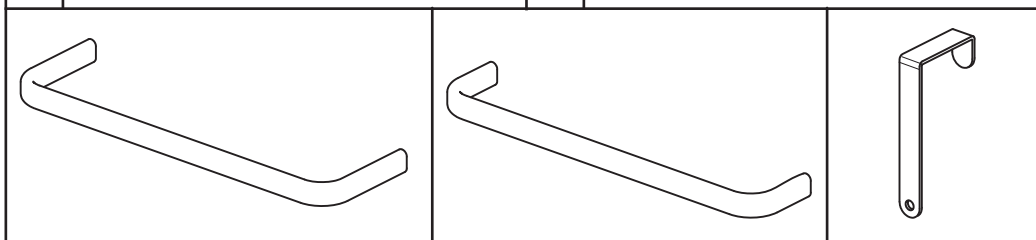
Hardware list

	A	Screw	6PCS
	B	Screw	2PCS
	C	Nut	2PCS

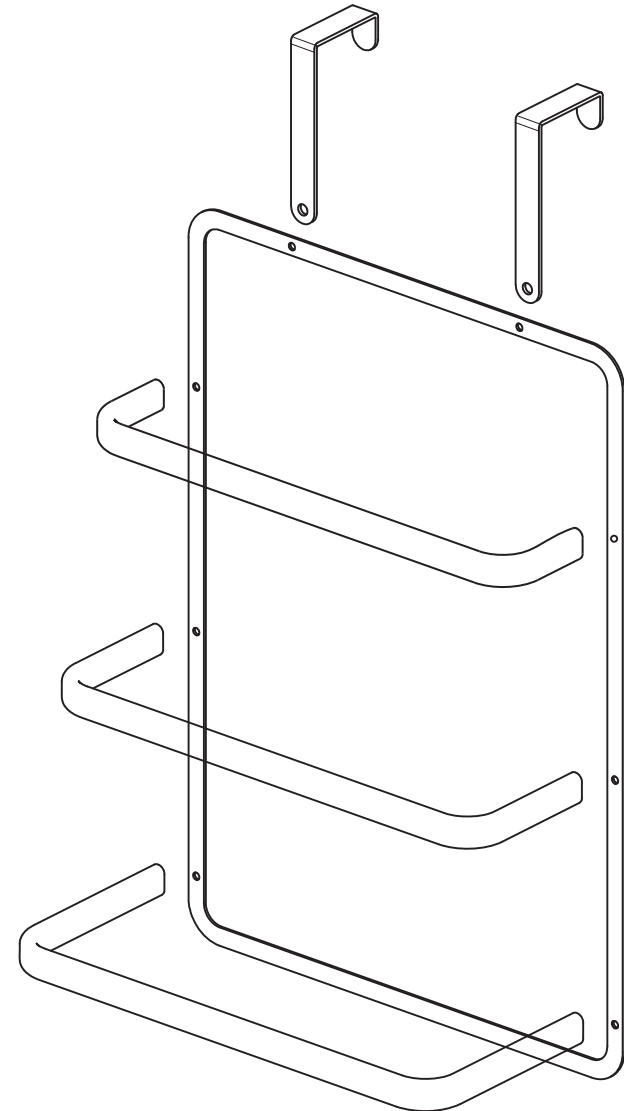
	D	Spanner	1PC
	E	PVC Sticker	6PCS



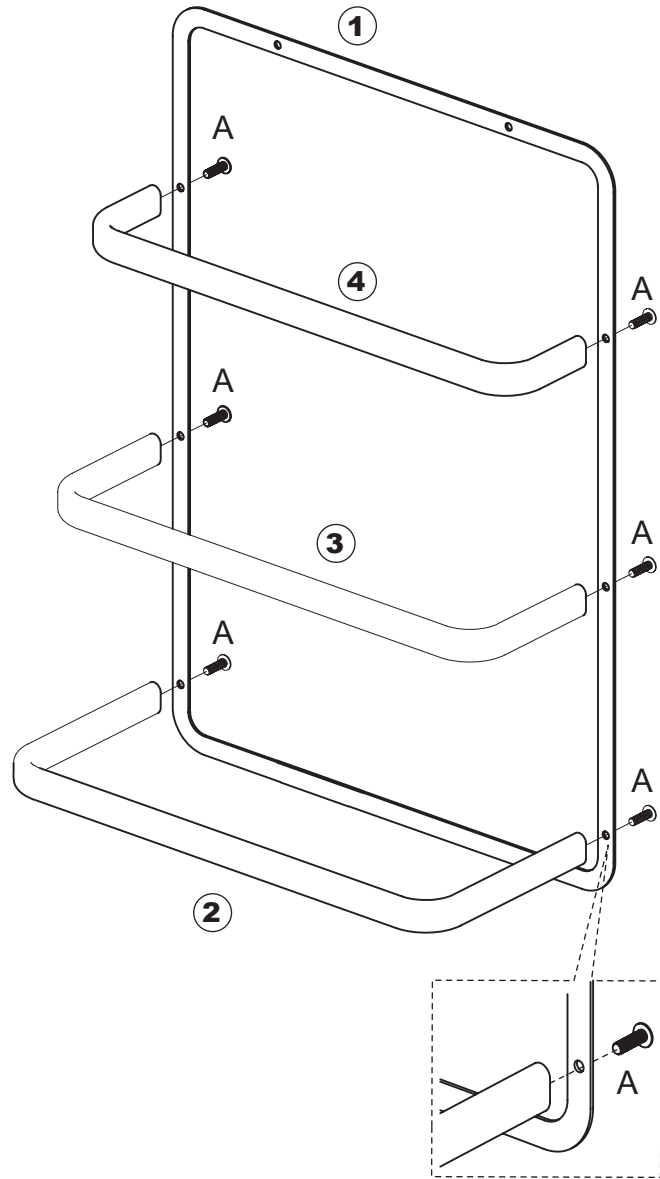
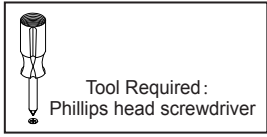
① 1PC ② 1PC



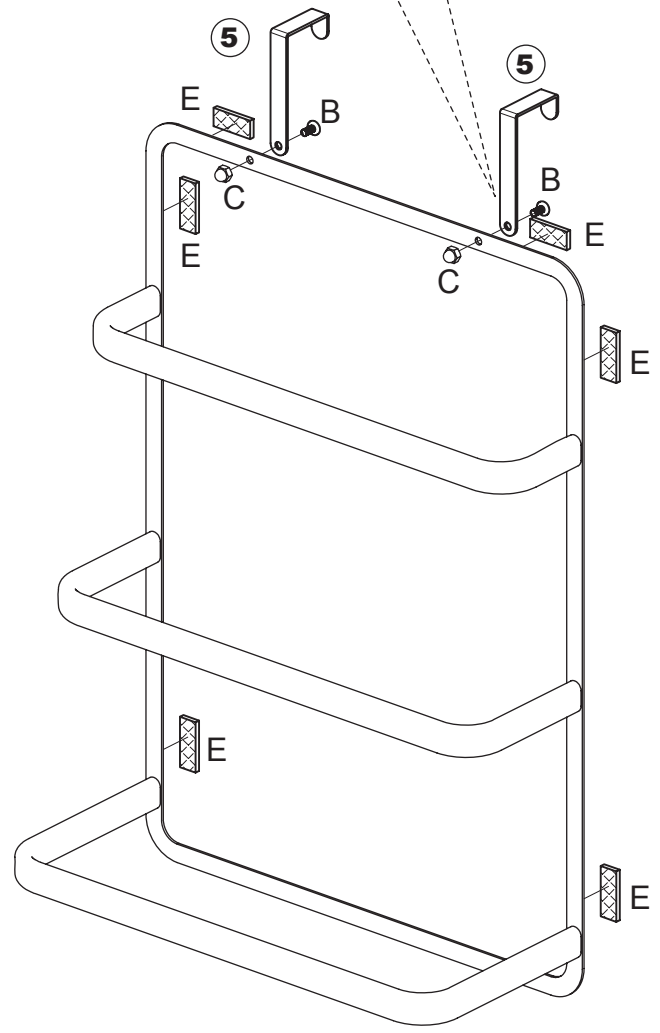
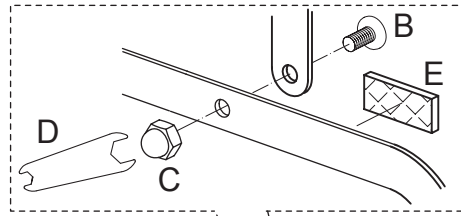
③ 1PC ④ 1PC ⑤ 2PCS



STEP 1



STEP 2



STEP 3

