

Assembly Instructions

43107582 STEWART ROUND DINING TABLE

CARE INSTRUCTIONS:




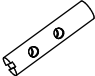
WIPE CLEAN WITH A SOFT DAMP CLOTH.DO NOT USE ABRASIVE MATERIALS AND SOLVENTS.CHECK AND TIGHTEN ALL PARTS EGULARLY.DO NOT PLACE HOT ITEMS SUCH AS COFFEE CUPS DIRECTLY ON THE SURFACE.KEEP AWAY FROM WATER AND DIRECT SUNLIGHT.STORE IN A DRY PLACE.FOR DOMESTIC USE ONLY.FOR INDOOR USE ONLY.A MILD ODOUR MAY BE PRESENT WHEN FIRST OPENING THIS CARTON.SIMPLY ALLOW TO AIR OUTSIDE AND THIS WILL FADE.

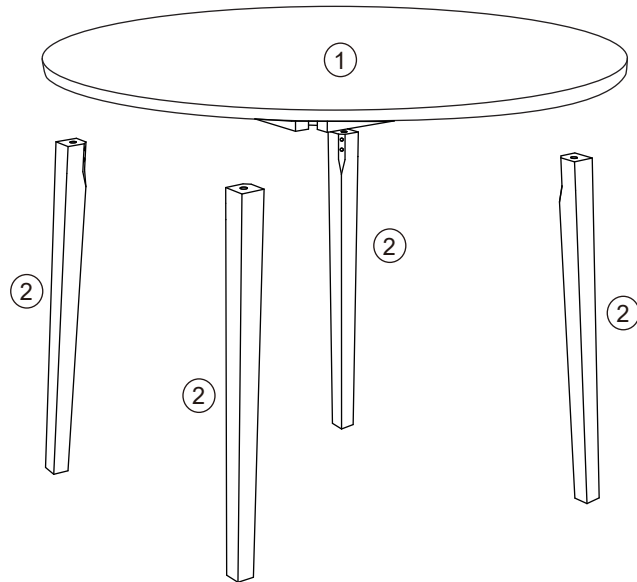
WARNING:

DO NOT STAND OR SIT ON THIS UNIT.DO NOT USE THIS UNIT UNLESS ALL BOLTS AND SCREWS ARE FIRMLY SECURED.DO NOT KNOCK OR DRAG THIS UNIT.USE ONLY ON A FLAT SURFACE.ADUlt ASSEMBLY REQUIRED.FAILURE TO FOLLOW THESE WARNING COULD RESULT IN SERIOUS INJURY.LOAD DRAWER EVENLY TO PREVENT FROM TIPPING OVER.THIS PACKAGE CONTAINS SMALL PARTS AND SHARP POINTS.KEEP AWAY FROM CHILDREN AND BABIES.

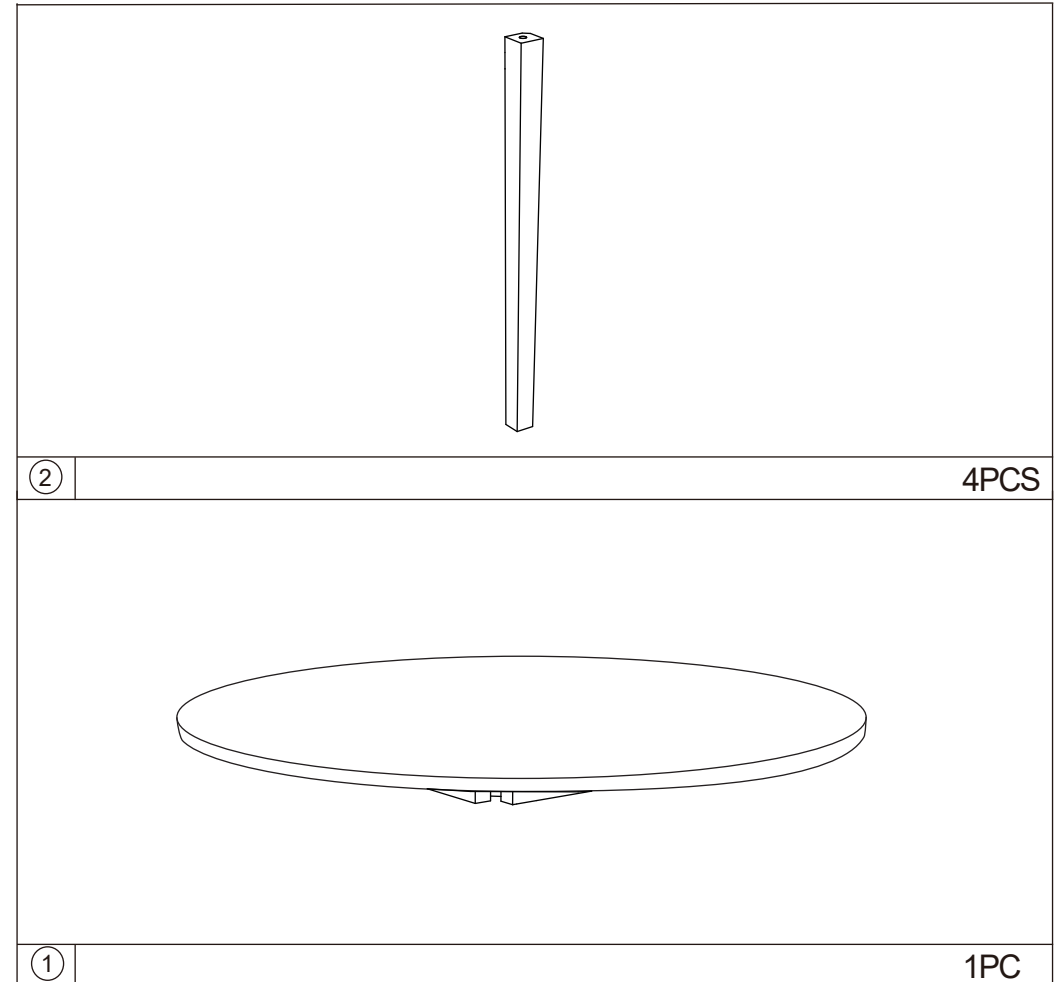
MAXIMUM SAFE LOAD: 50KG.

Hardware list

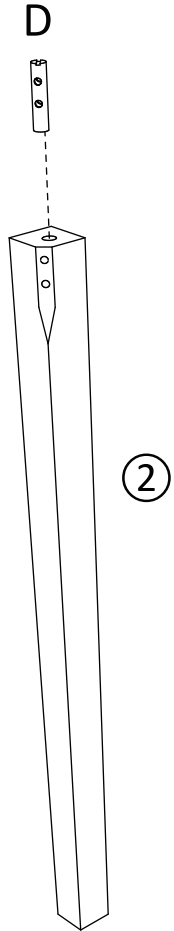
	A	8PCS		C	8PCS
	B	8PCS		D	4PCS






Do not tighten the screws fully during assembly.
Fully tighten screws after the final assembly steps

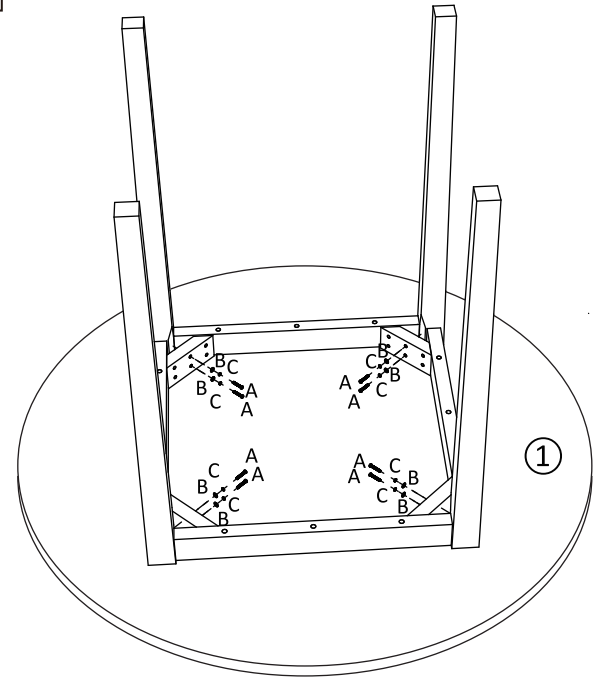
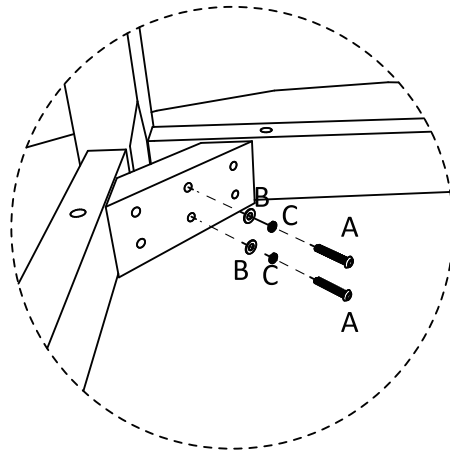


STEP 1  D x 4



X4

STEP 2  A x 8  B x 8  C x 8



STEP 3

