

Assembly Instructions








43067138-ANGLE STORAGE UNIT WITH 6 TUBS OAK LOOK

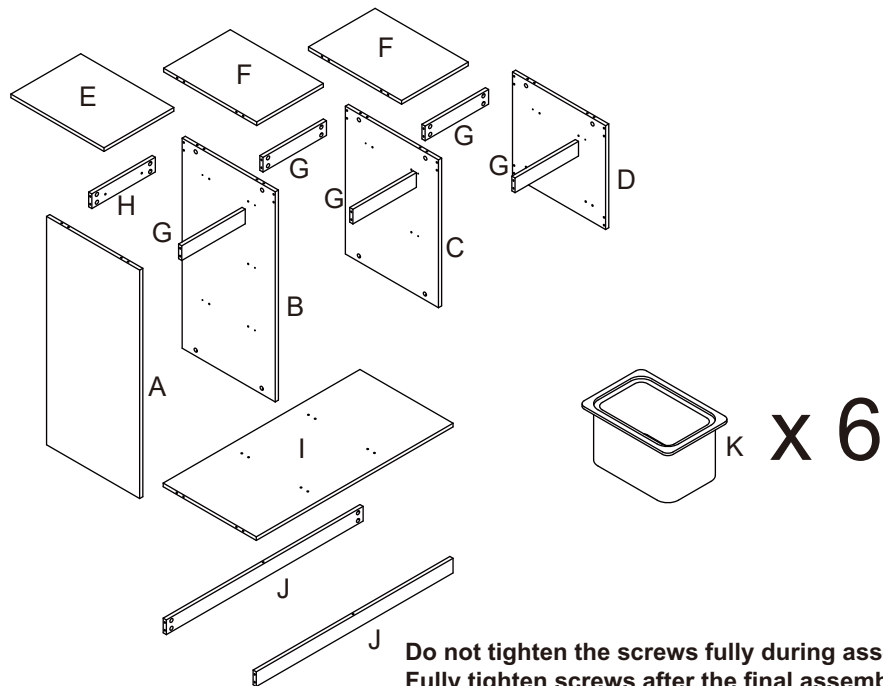
WARNING: DO NOT STAND, SIT OR LEAN ON THE UNIT. DO NOT USE THIS UNIT AS A STEP LADDER. ENSURE THIS UNIT IS USED ONLY ON A FLAT SURFACE. DO NOT USE THIS UNIT UNLESS ALL BOLTS AND SCREWS ARE FIRMLY SECURED. DO NOT PLACE HOT OBJECTS SUCH AS COFFEE CUPS DIRECTLY ON THE SURFACE OF THIS FURNITURE ITEM. THIS ITEM IS FOR STORAGE PURPOSE ONLY. FAILURE TO FOLLOW THESE WARNINGS COULD RESULT IN SERIOUS INJURY. CONTAINS SMALL PARTS. IT IS TO BE ASSEMBLED BY AN ADULT.

CARE INSTRUCTIONS: WIPE CLEAN WITH A SOFT DAMP CLOTH. NEVER USE SCOURERS, ABRASIVES OR CHEMICAL SOLVENTS. KEEP AWAY FROM MOISTURE AND DIRECT SUNLIGHT. STORE IN A DRY PLACE FOR INDOOR USE ONLY.

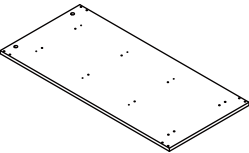
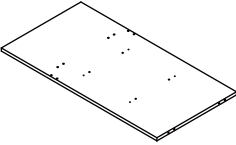
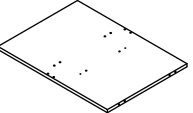
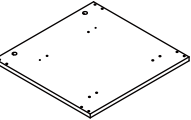
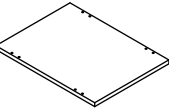
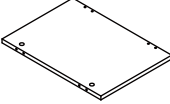
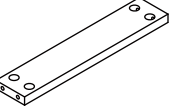
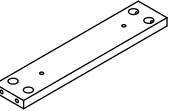
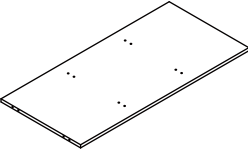
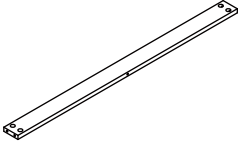
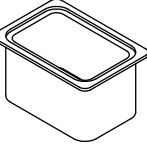
MAXIMUM SAFE LOAD: 10KGS FOR TOP PANEL, 5KGS FOR TUBS, 60KGS IN TOTAL.

Hardware list

| | | | | | | | |
|-----------------------------------------------------------------------------------|---|---------|-------|-----------------------------------------------------------------------------------|---|--------|------|
|  | a | 6X35mm | 52PCS |  | f | 4X40mm | 2PCS |
|  | b | 15X10mm | 52PCS |  | g | | 2PCS |
|  | c | 8X30mm | 22PCS | | | | |
|  | d | | 12PCS | | | | |
|  | e | 3X12mm | 24PCS | | | | |

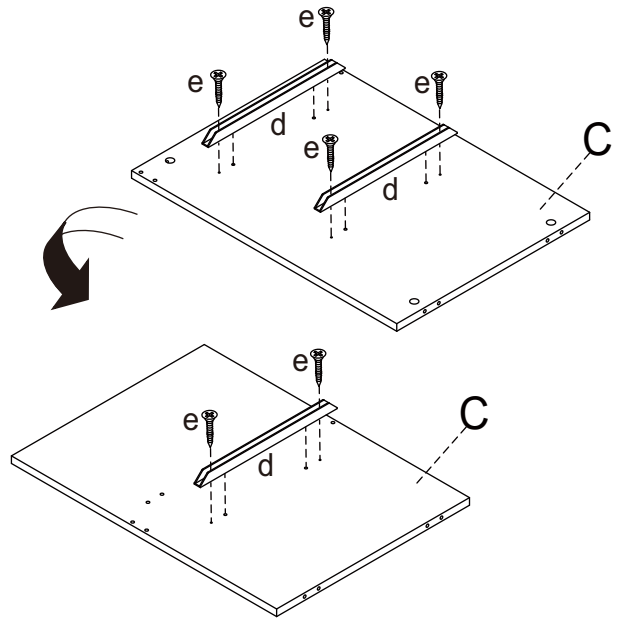


Do not tighten the screws fully during assembly.
Fully tighten screws after the final assembly steps

| | | | | | | | | |
|---------------------------------------------------------------------------------------|---|-------|---------------------------------------------------------------------------------------|---|-------|---------------------------------------------------------------------------------------|---|-------|
|  | A | 1 PC |  | B | 1 PC |  | C | 1 PC |
|  | D | 1 PC |  | E | 1 PC |  | F | 2 PCS |
|  | G | 5 PCS |  | H | 1 PC |  | I | 1 PC |
|  | J | 2 PCS |  | K | 6 PCS | | | |

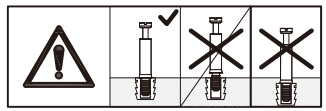
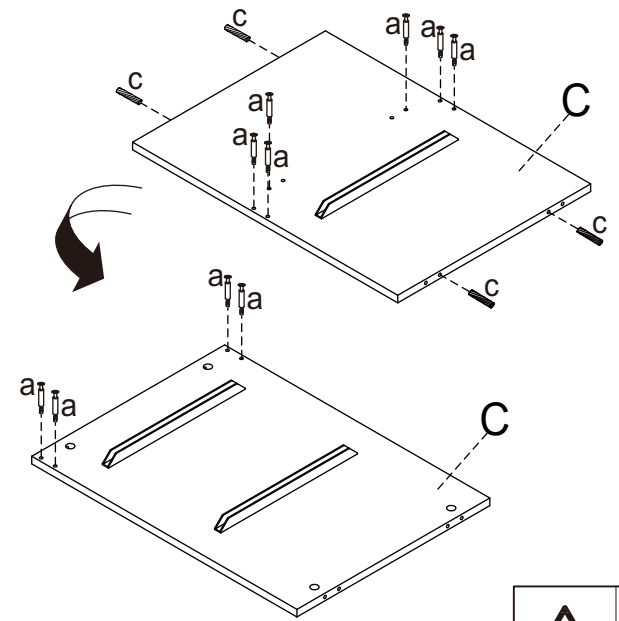
STEP 1

 X6  X3





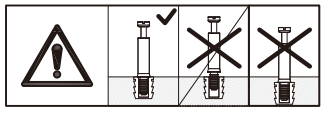
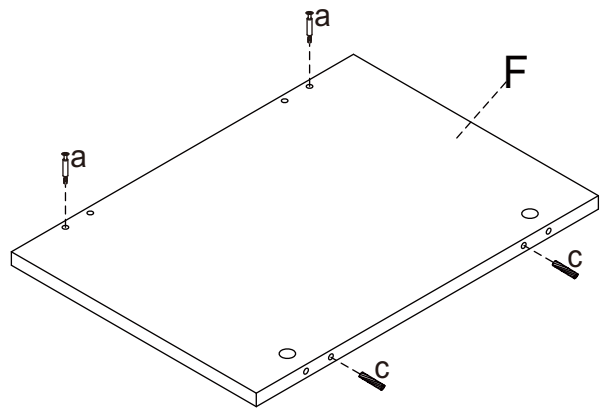
STEP 2

 X10  X4



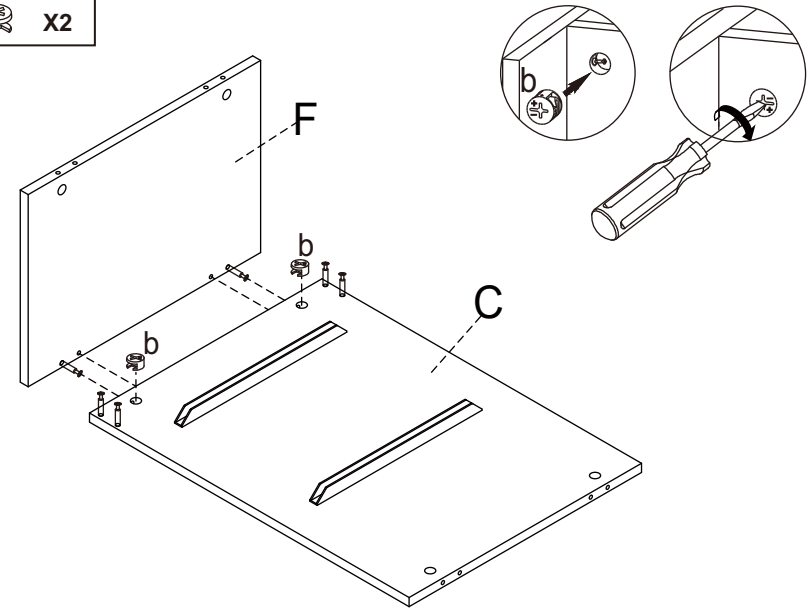
STEP 3

 X2  X2



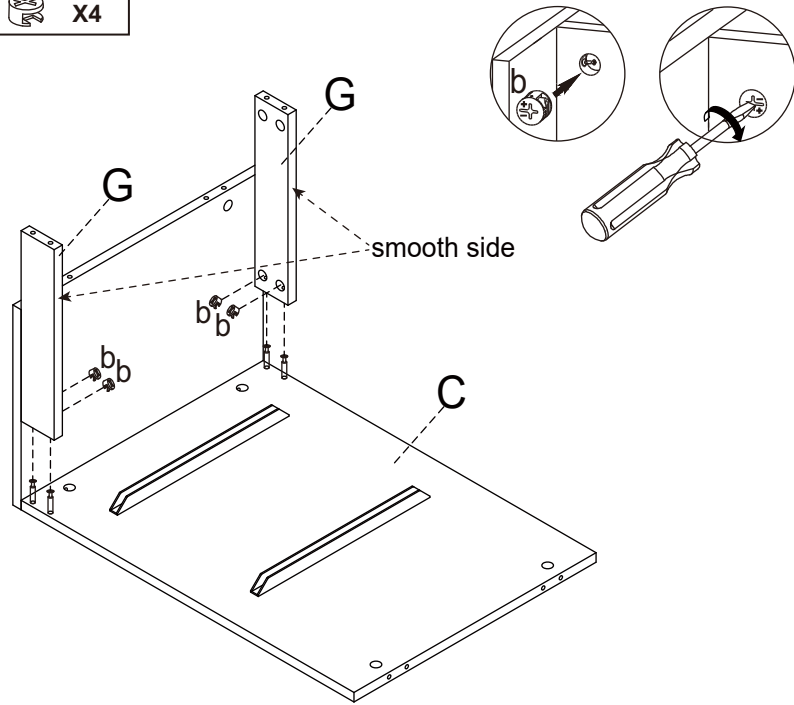
STEP 4

 X2



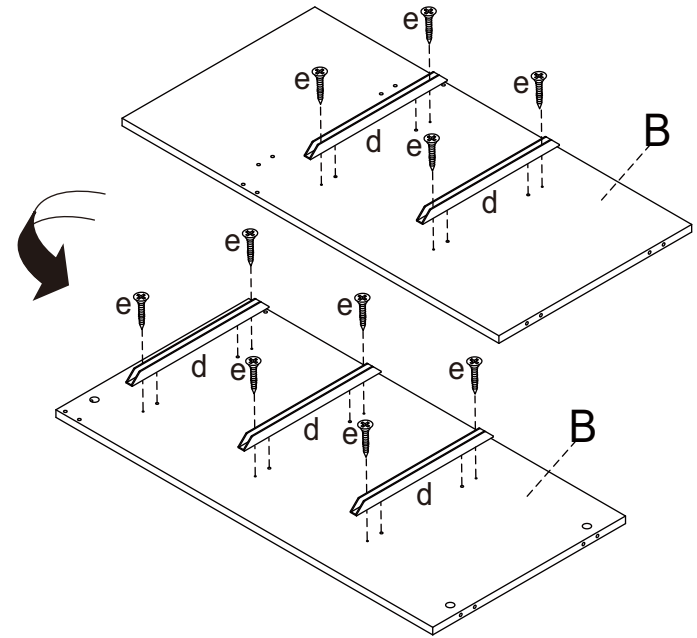
STEP 5

 X4





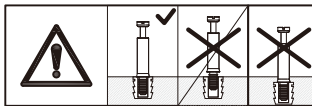
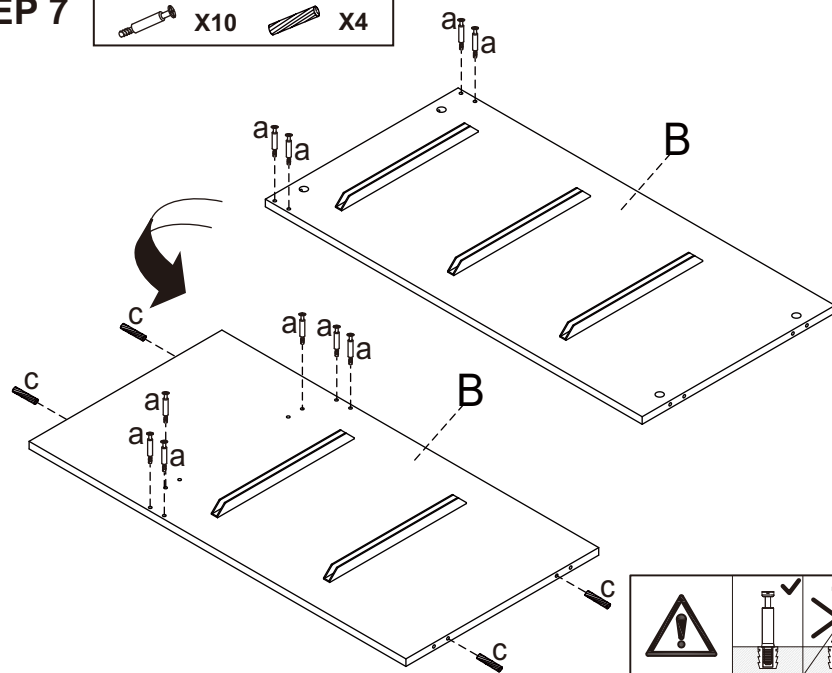
STEP 6

 X10  X5



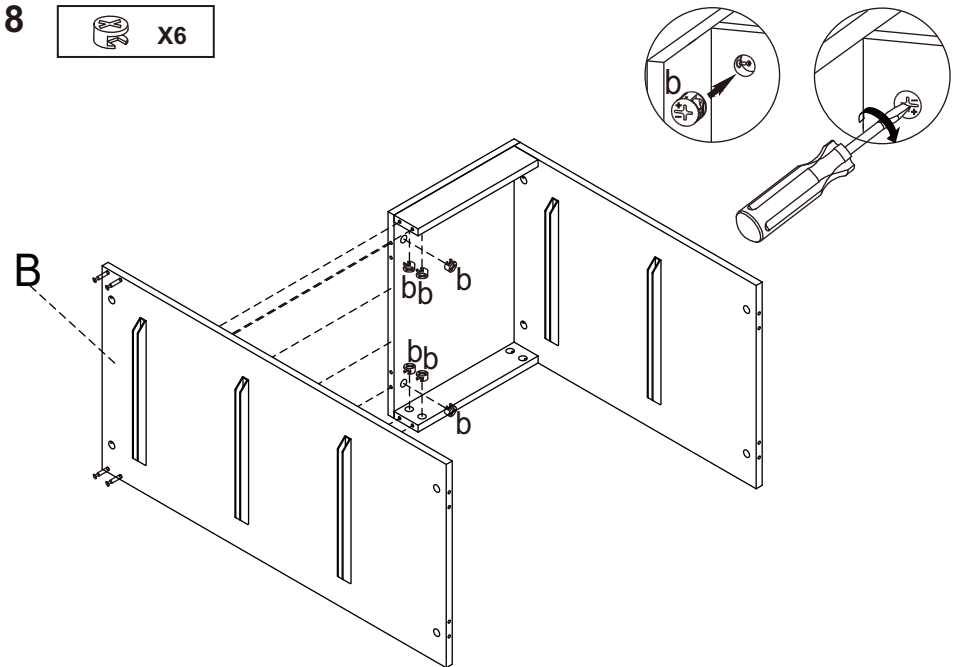
STEP 7

 X10  X4

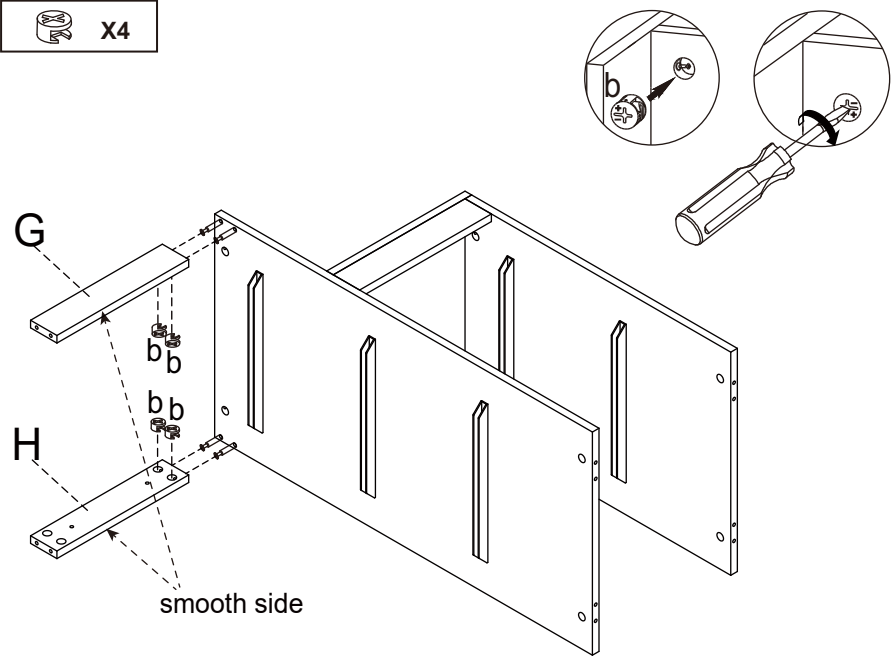


STEP 8

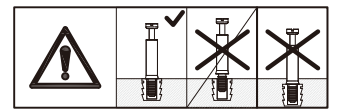
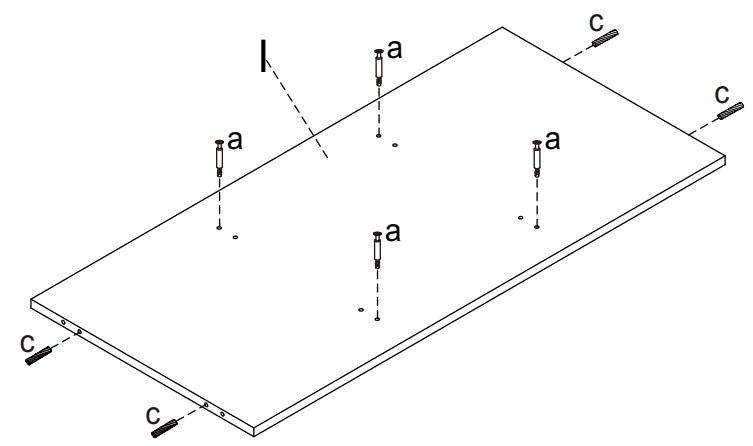
 X6



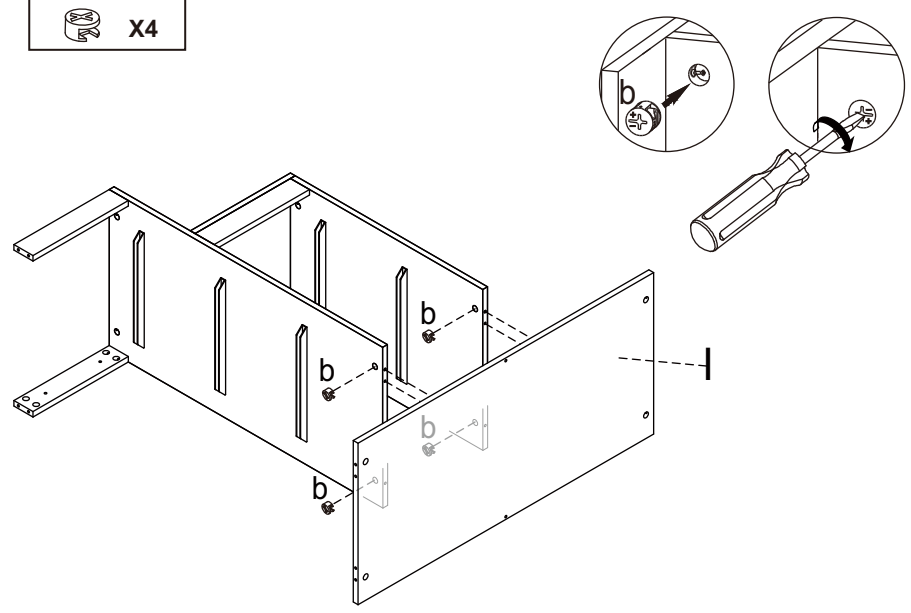
STEP 9  X4



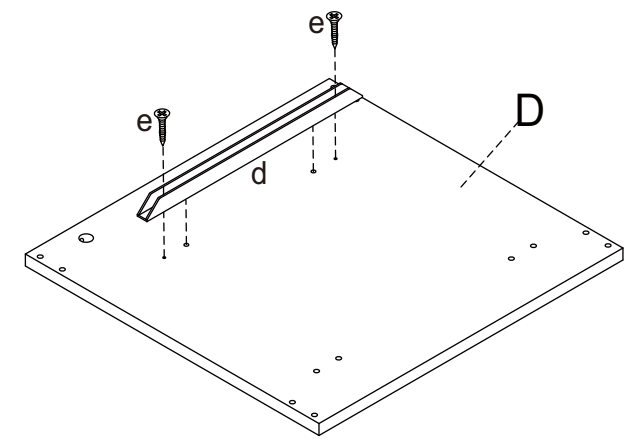
STEP 10  X4  X4



STEP 11  X4

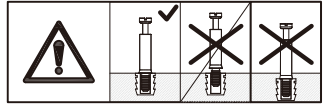
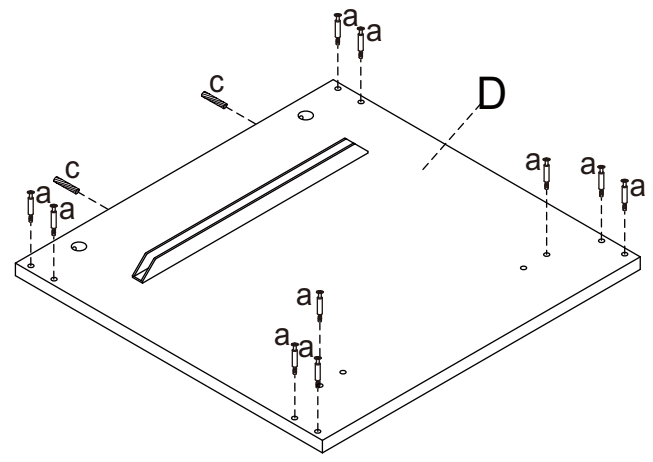


STEP 12  X2  X1



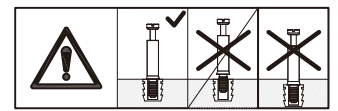
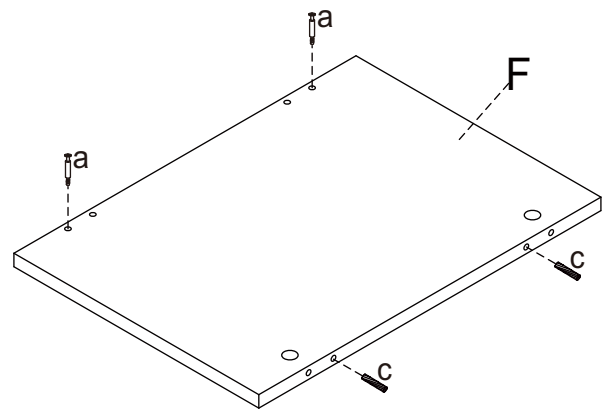
STEP 13

 X10  X2



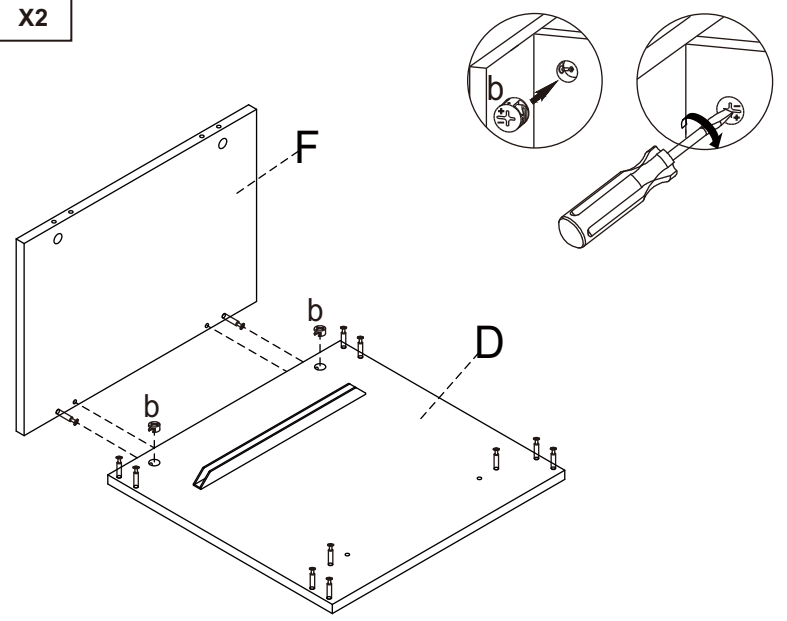
STEP 14

 X2  X2



STEP 15

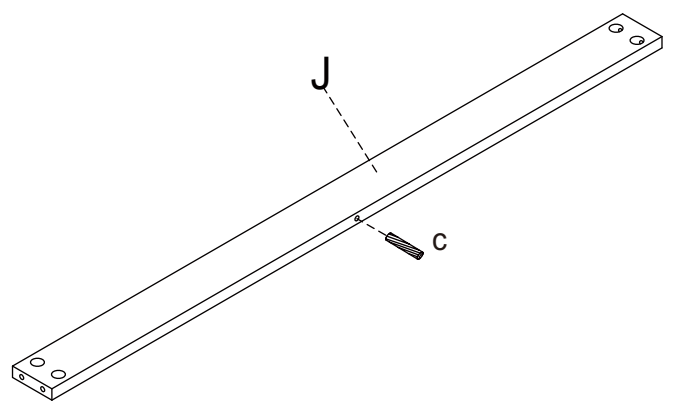
 X2



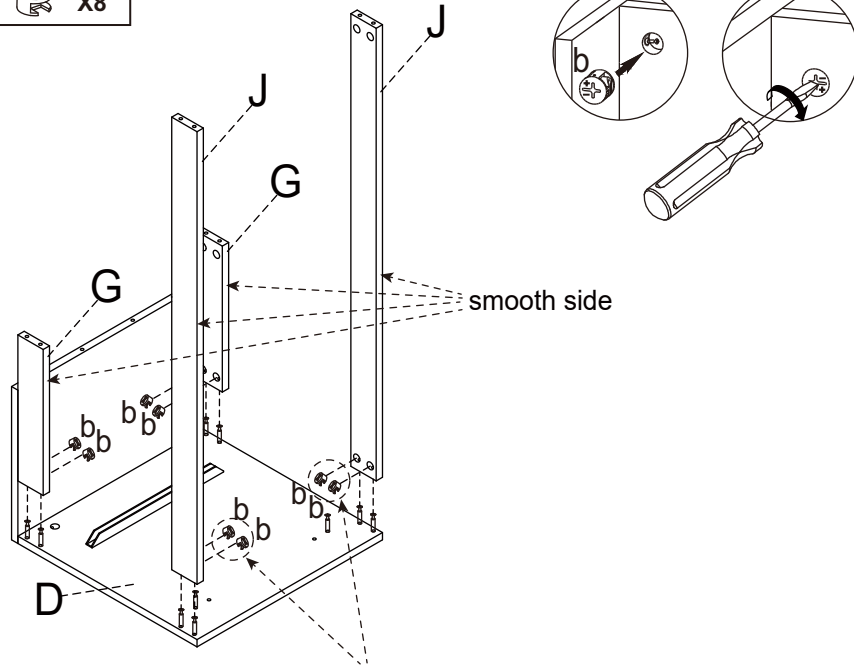
STEP 16

 X2

x2

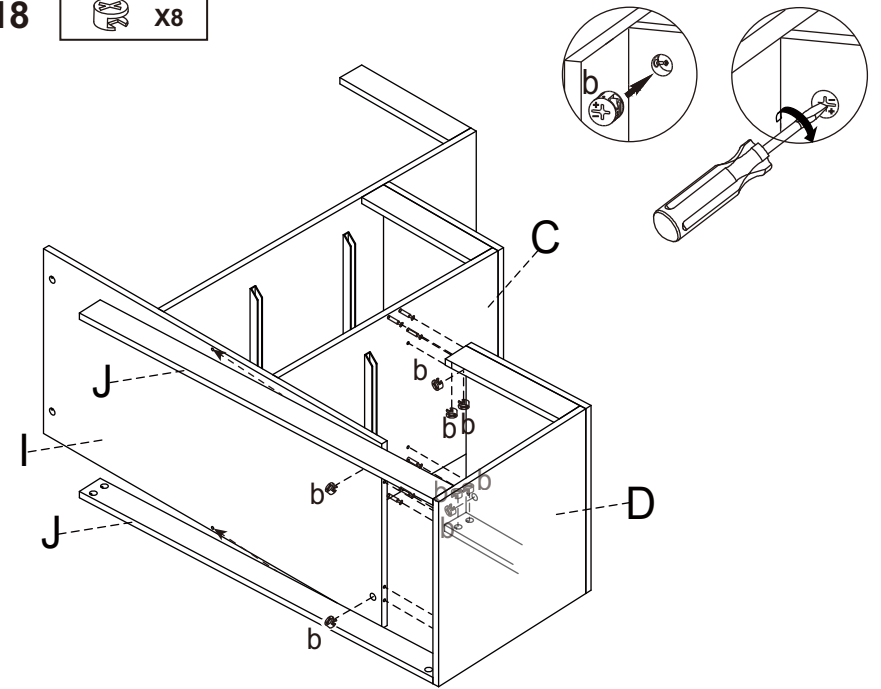


STEP 17  X8

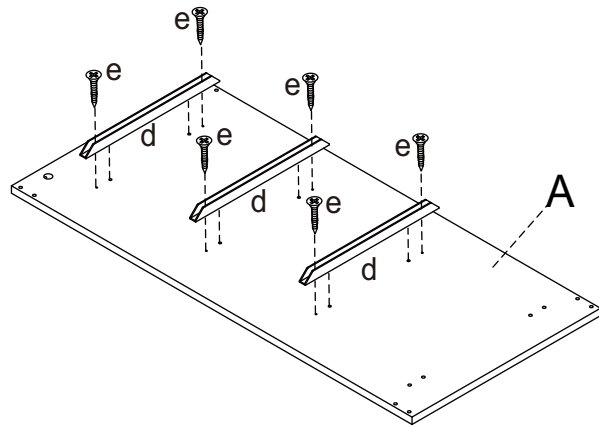


PLEASE DO NOT FULLY FASTEN THESE FOUR COMPONENT b FIRSTLY, FULLY FASTEN THEM AFTER STEP 18 FINISHED.

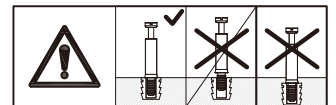
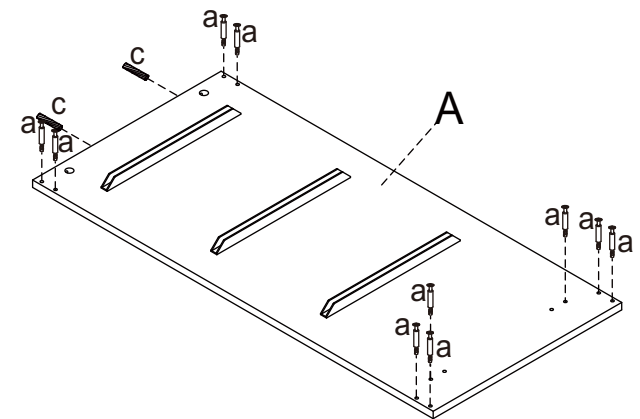
STEP 18  X8



STEP 19  X6  X3

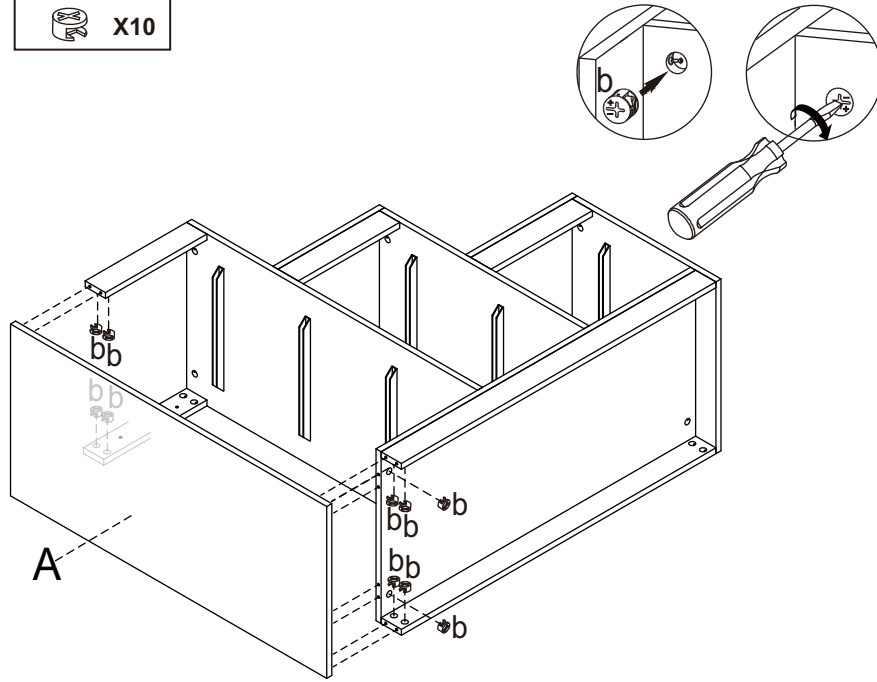


STEP 20  X10  X2



STEP 21

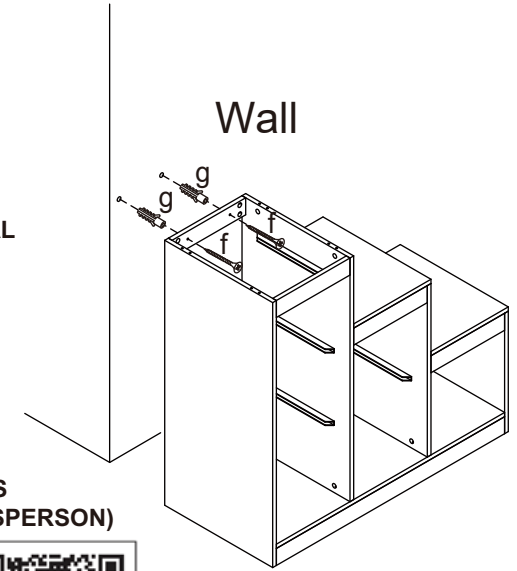
 X10



STEP 22

 X2  X2

USER INSTRUCTION FOR WALL FIXINGS:
 IT IS STRONGLY RECOMMENDED THAT THIS PRODUCT IS PERMANENTLY FIXED TO THE WALL. PLEASE SEEK PROFESSIONAL ADVICE IF YOU ARE IN DOUBT OF WHAT FIXING DEVICE TO USE. REGULARLY CHECK THAT WALL FIXING ARE SECURELY MAINTAINED. FOR YOUR SAFETY WHEN ATTACHING THE ANCHOR FIXINGS, PLEASE NOTE THE FOLLOWING: CHECK ANY ELECTRICAL WIRES OR PLUMBING INSIDE THE WALL BEFORE DRILLING ANY HOLES (IF YOU ARE UNSURE PLEASE SEEK PROFESSIONAL ADVICE FROM A QUALIFIED TRADESPERSON)

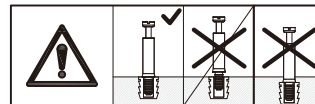
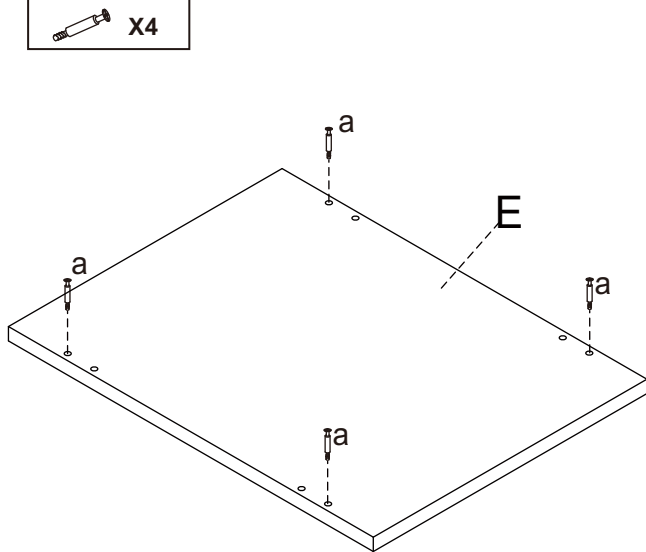


WARNING: PLEASE SECURE YOUR FURNITURE WITH THE SUPPLIED WALL FIXING. SCAN THE CODE FOR MORE INFORMATION.



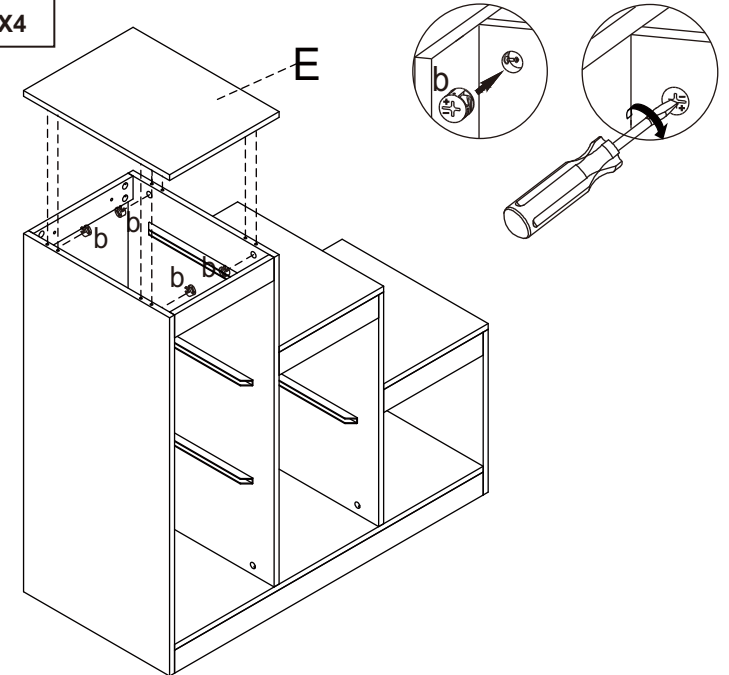
STEP 23

 X4

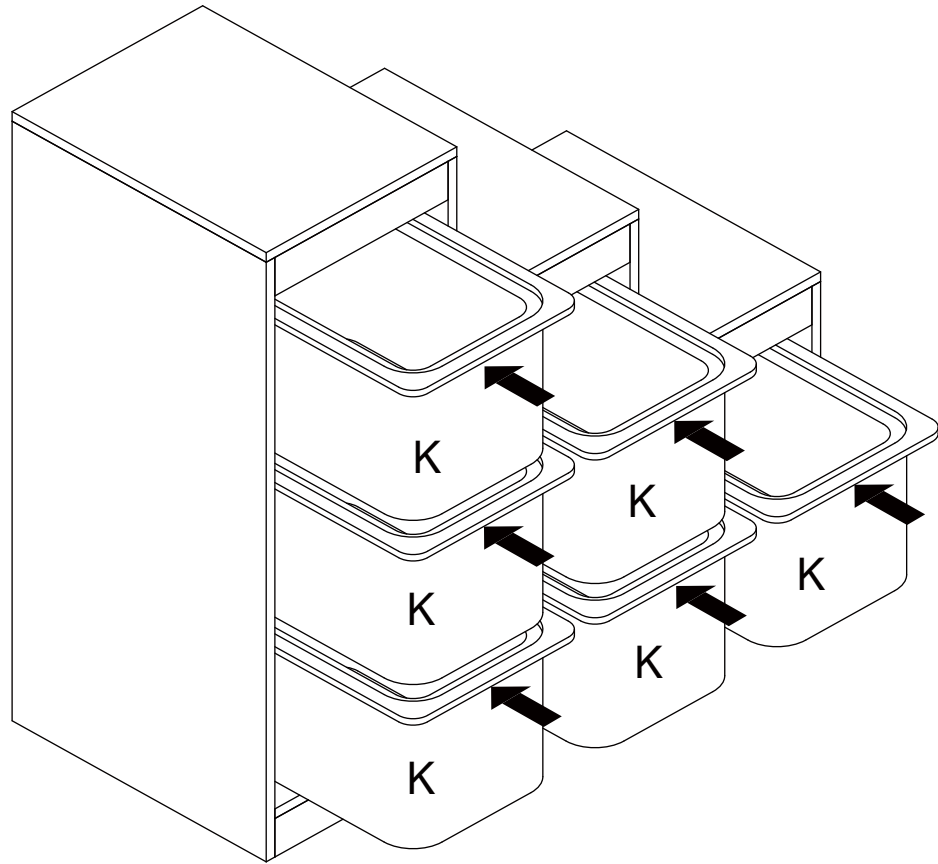


STEP 24

 X4



STEP 25



STEP 26

