

Assembly Instructions

Enclosed Hardware

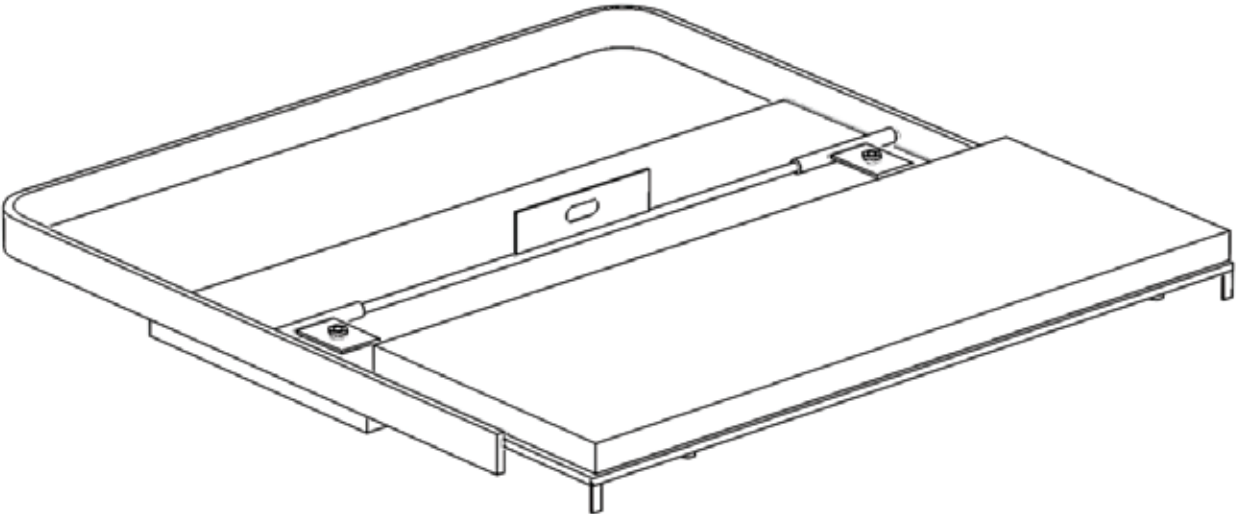
3 x LN Screws



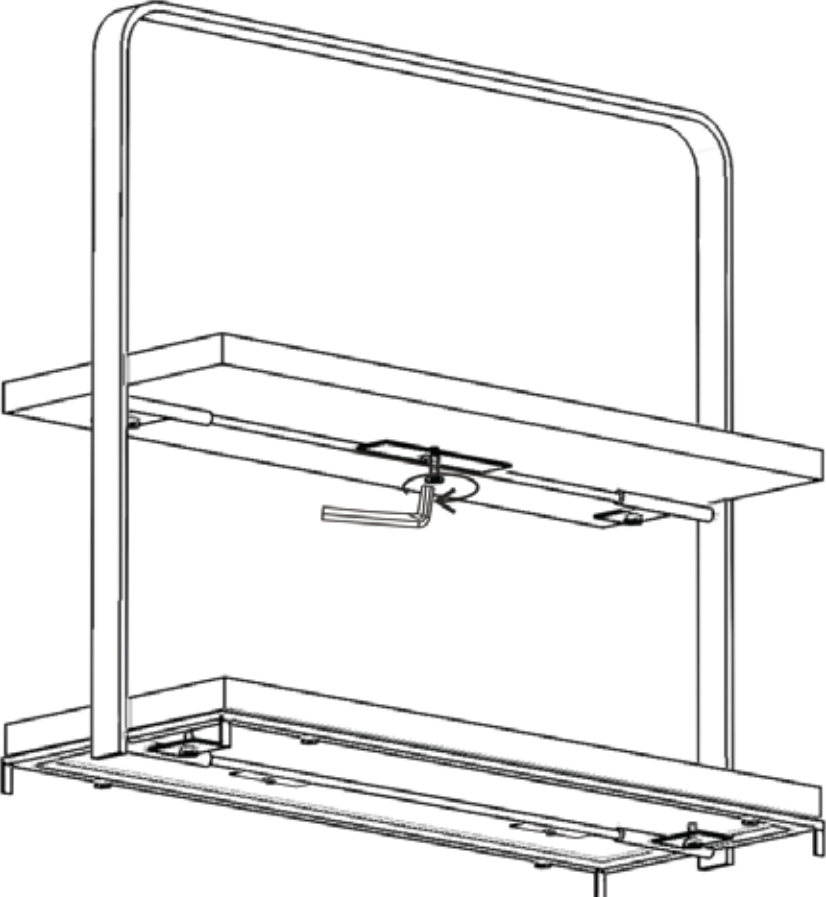
1 x LN Key



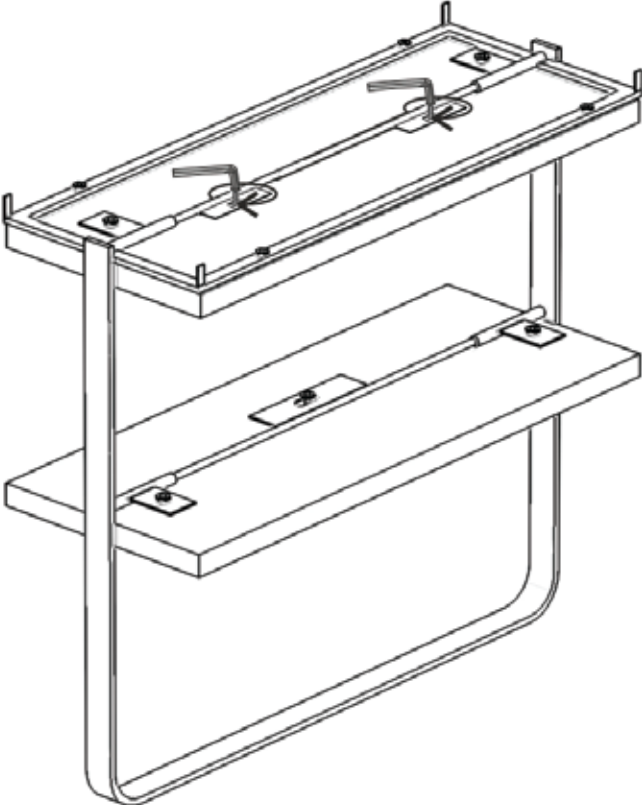
Step 1.



Step 2.



Step 3.



Final Product

