

Assembly Instructions

43063499 RATTAN CHEST OF DRAWERS

CARE INSTRUCTIONS:










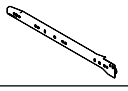
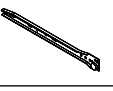










WIPE CLEAN WITH A DRY CLOTH. DO NOT USE ABRASIVE MATERIALS AND SOLVENTS. CHECK AND TIGHTEN ALL PARTS REGULARLY. DO NOT PLACE HOT ITEMS SUCH AS COFFEE CUPS DIRECTLY ON THE SURFACE. KEEP AWAY FROM WATER AND DIRECT SUNLIGHT. STORE IN A DRY PLACE. FOR INDOOR AND DOMESTIC USE.

WARNING!

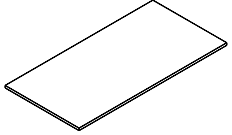


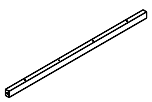
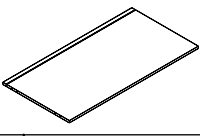
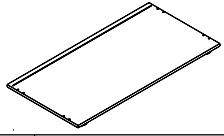
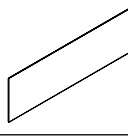

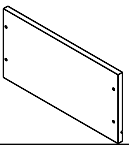
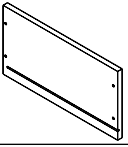
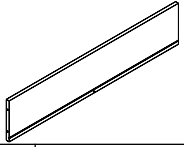
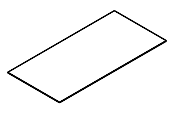
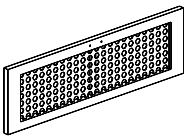
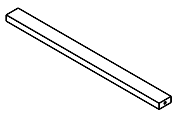
DO NOT STAND OR SIT ON THIS ITEM. DO NOT USE UNTIL ALL SCREWS ARE FIRMLY SECURED. USE ONLY ON A FLAT SURFACE. ADULT ASSEMBLY REQUIRED.

MAXIMUM SAFE LOAD: 15KGS FOR TOP PANEL, 7KGS FOR EACH DRAWER .

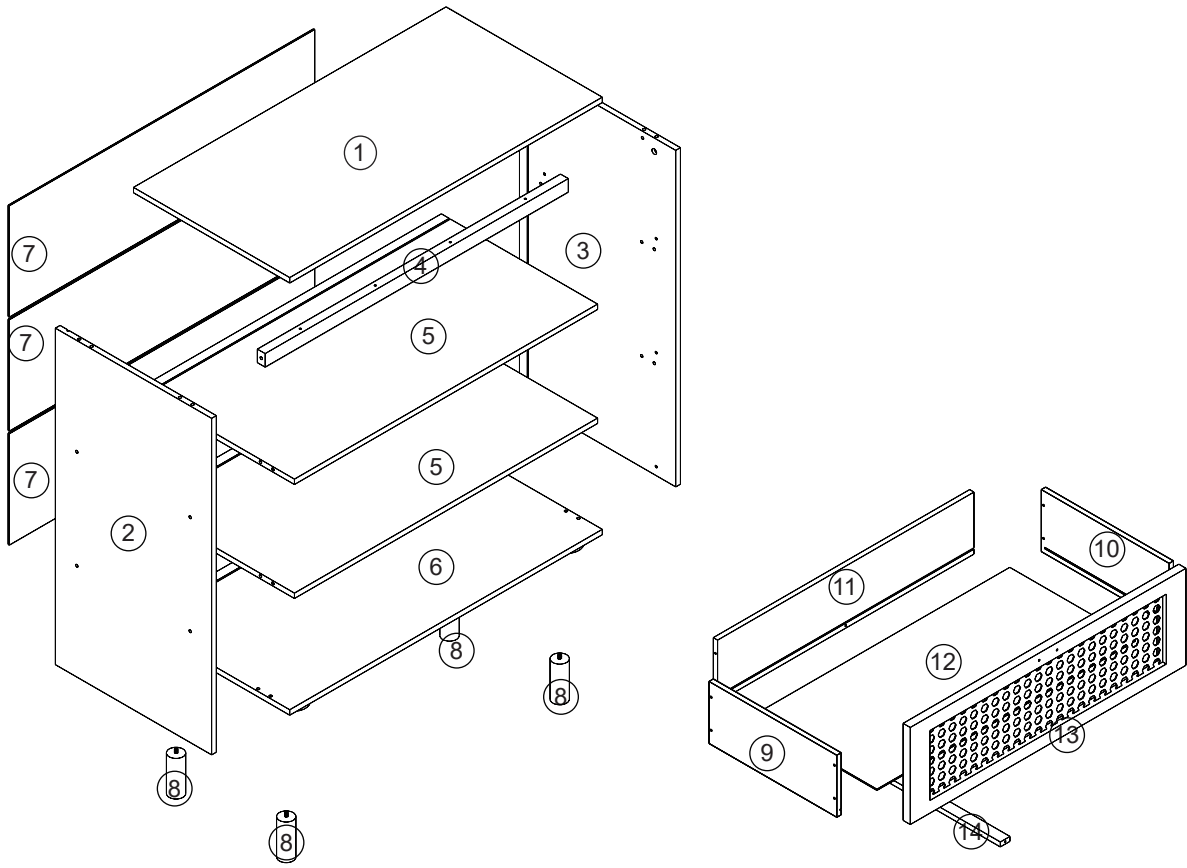
1 Hardware List

	A	6x30mm	21pcs		B	7x50mm	12pcs		C	4x40mm	4pcs
	D	6x35mm	4pcs		E	12x10mm	4pcs		F	3x12mm	30pcs
	G		3pcs		H		3pcs		I	4x30mm	27pcs
	J		3pcs		K		3pcs		L	4x35mm	6pcs
	M	100x20 x15mm	3pcs		N	3x12mm	1pc		O		1pc
	P		2pcs		Q	3x14mm	8pcs		R		8pcs
	S	4x40mm	1pc		T		1pc		U		1pc

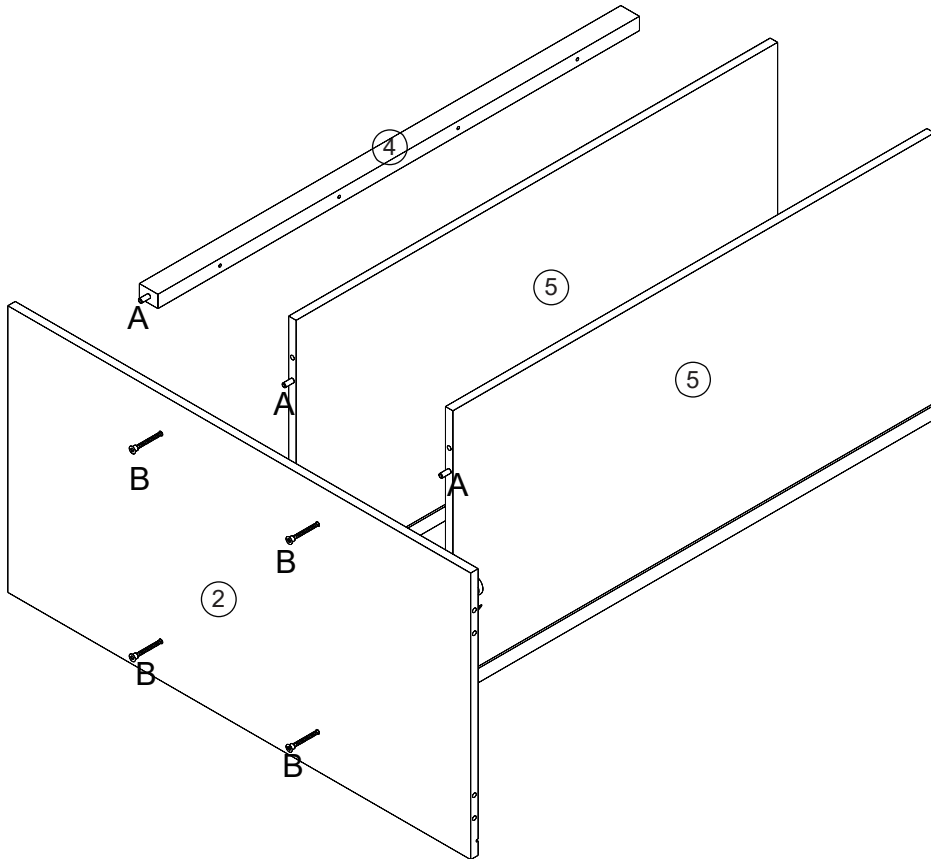
2 Parts List

	①	1pc		②	1pc		③	1pc		④	1pc
	⑤	2pcs		⑥	1pc		⑦	3pcs		⑧	4pcs
	⑨	3pcs		⑩	3pcs		⑪	3pcs		⑫	3pcs
	⑬	3pcs		⑭	3pcs						

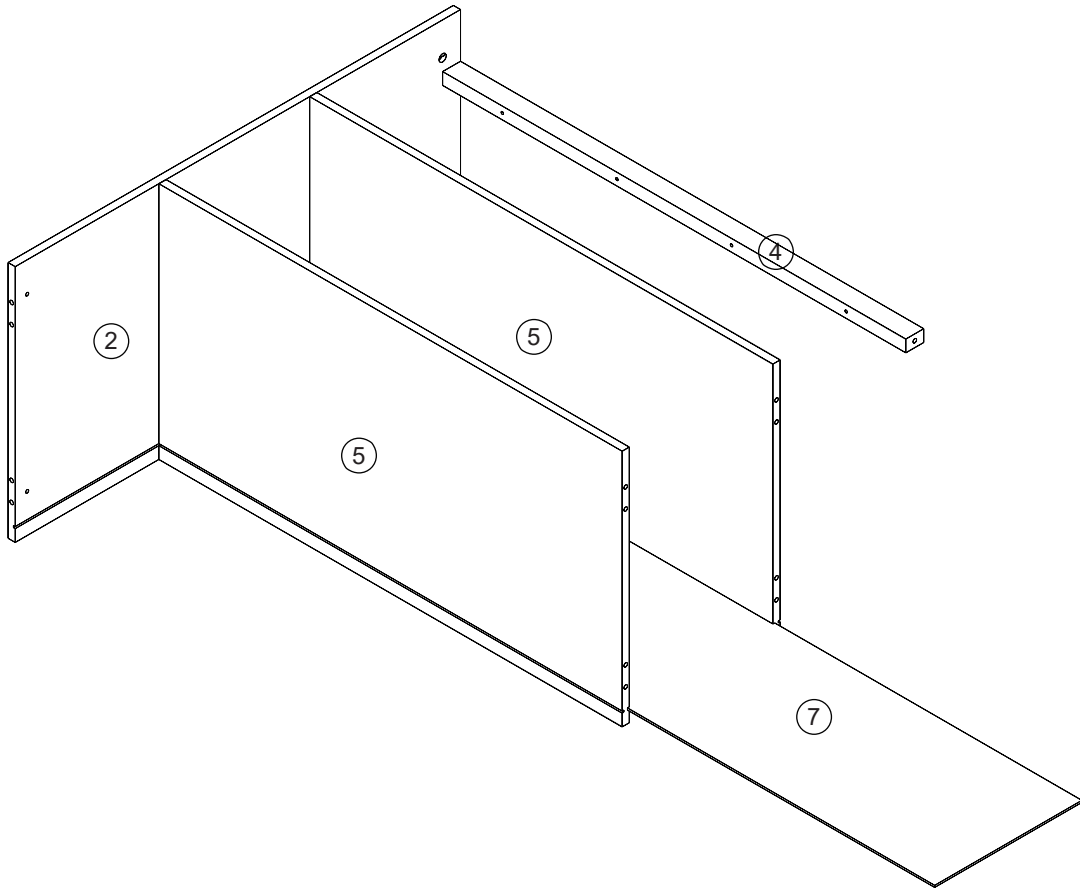
3



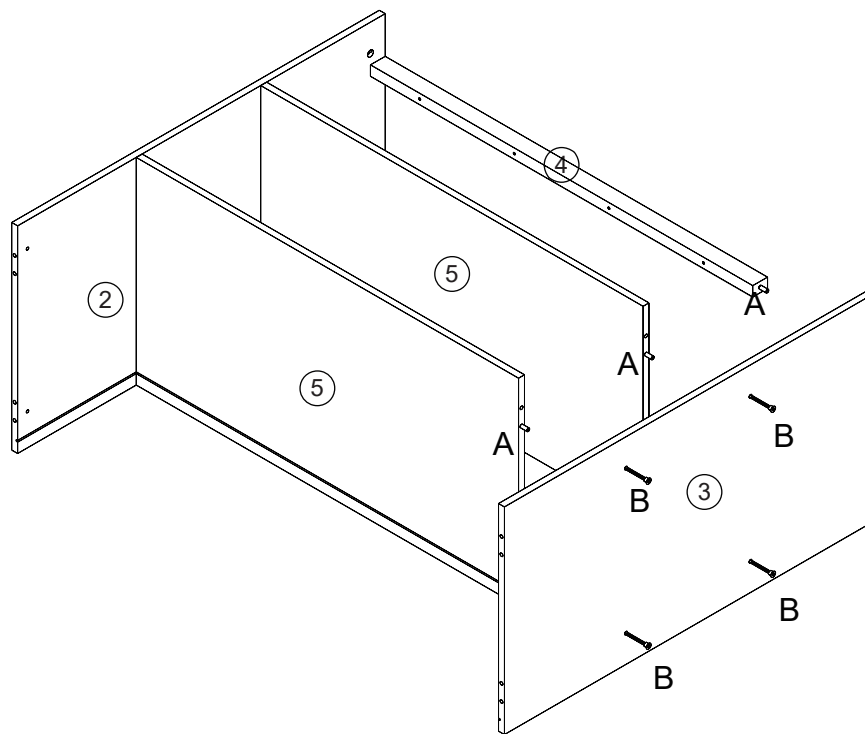
STEP 1 A - $\text{Ø} \times 5$ B - $\text{I} \times 4$



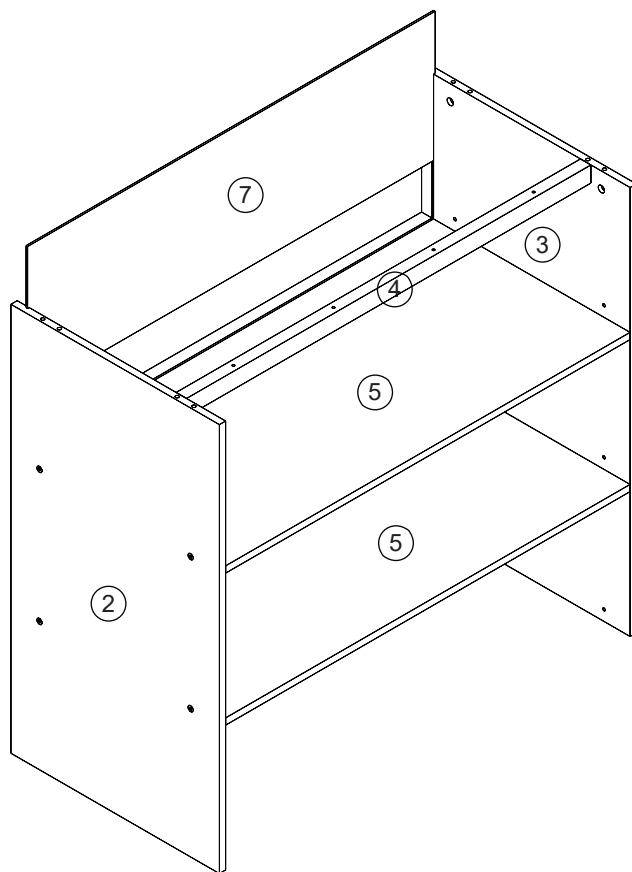
STEP 2



STEP 3 **A - U × 5** **B - I × 4**



STEP 4

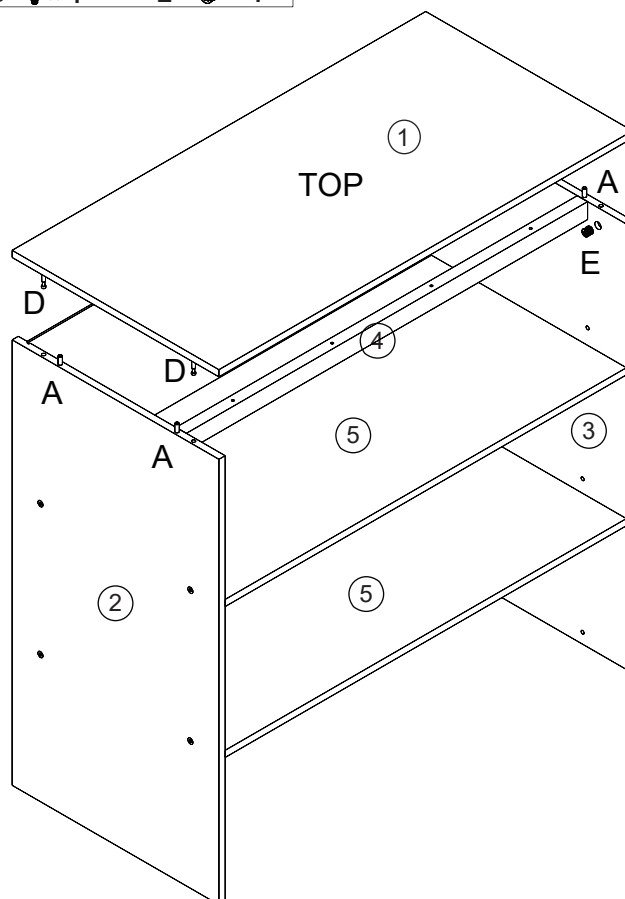


STEP 5

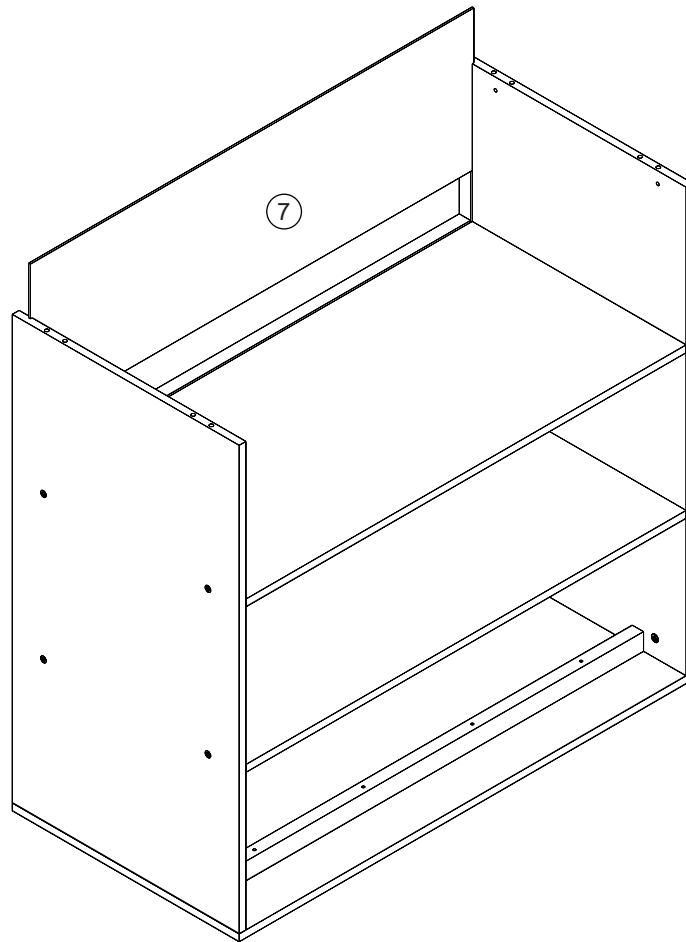
A -  x 4

D -  x 4

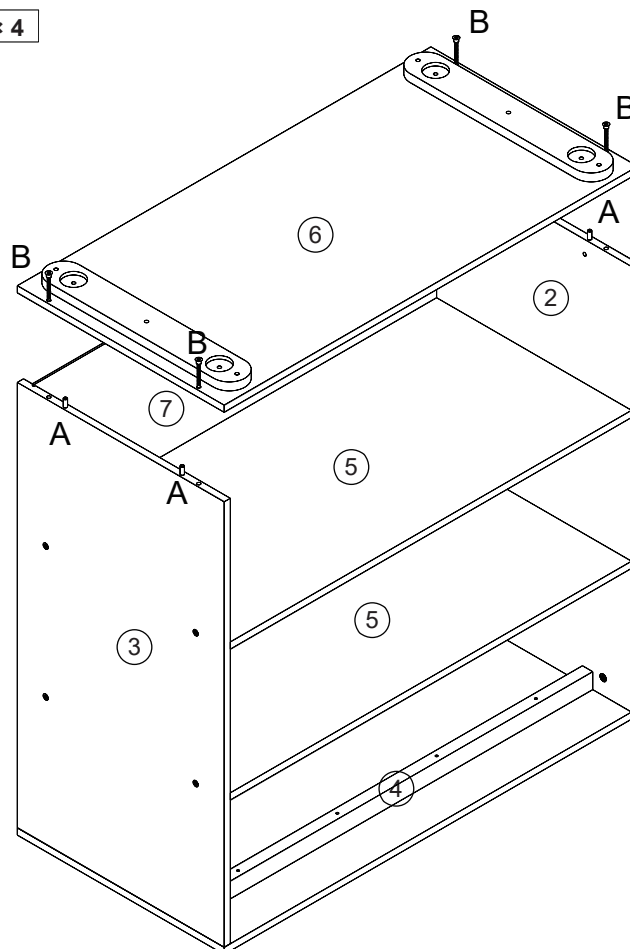
E -  x 4



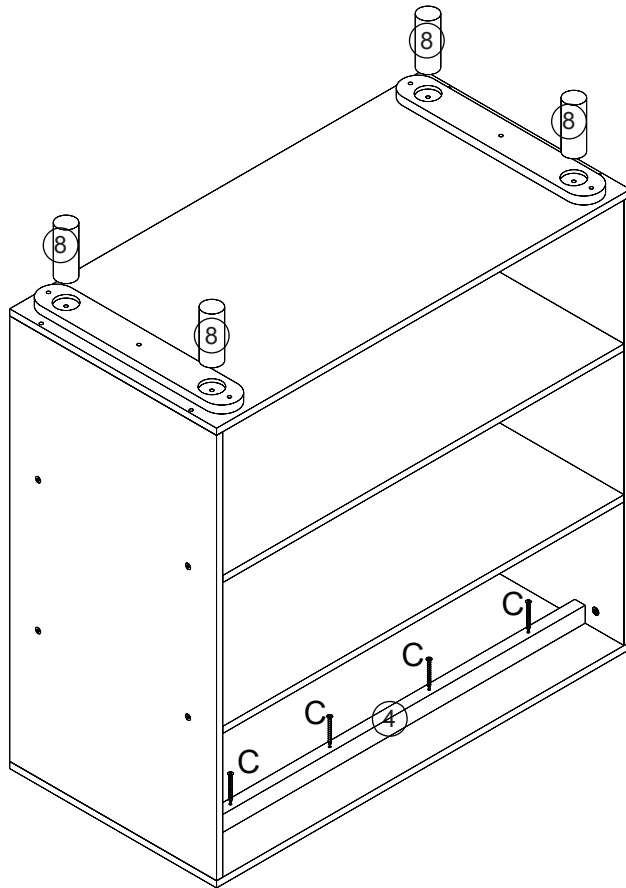
STEP 6


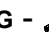

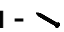


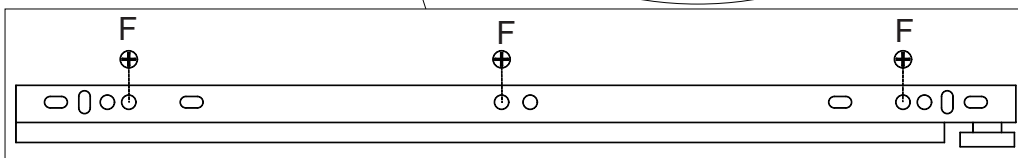
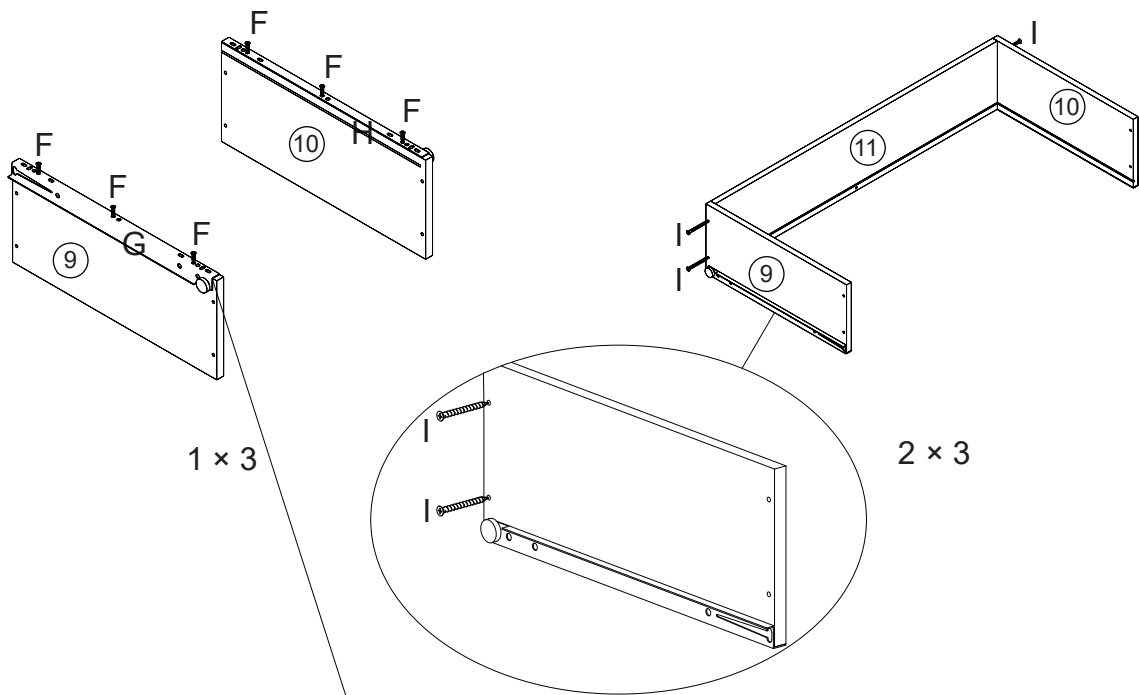
STEP 7 $A-\text{U} \times 4$ $A-\text{I} \times 4$




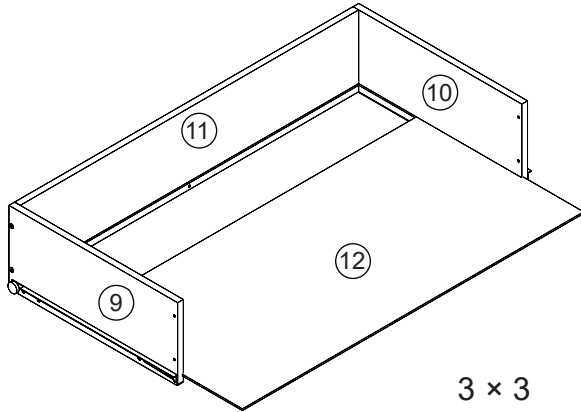
STEP 8 C -  x 4



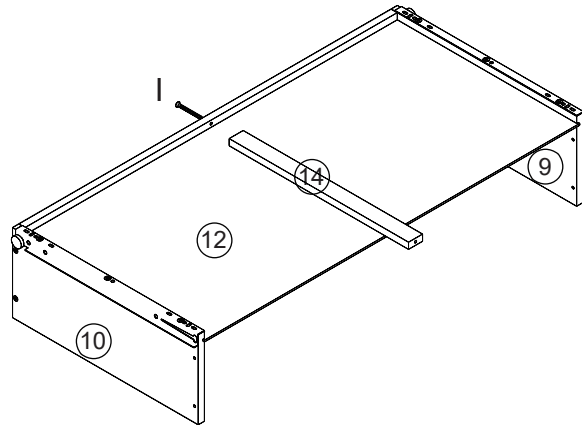
STEP 9 F -  x 18 G -  x 3 H -  x 3 I -  x 12




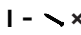
STEP 10 I -  x 3

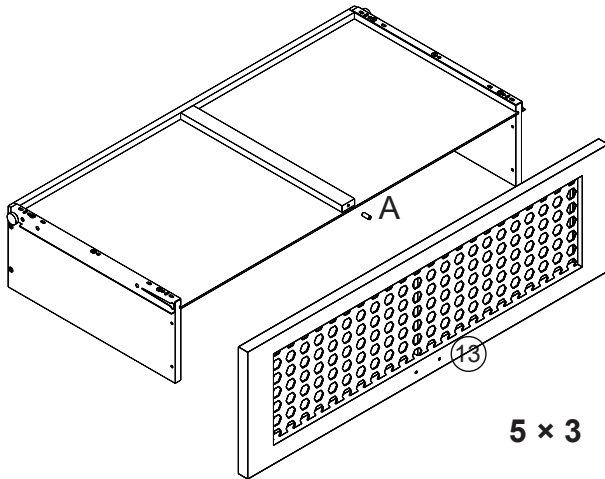


3 x 3

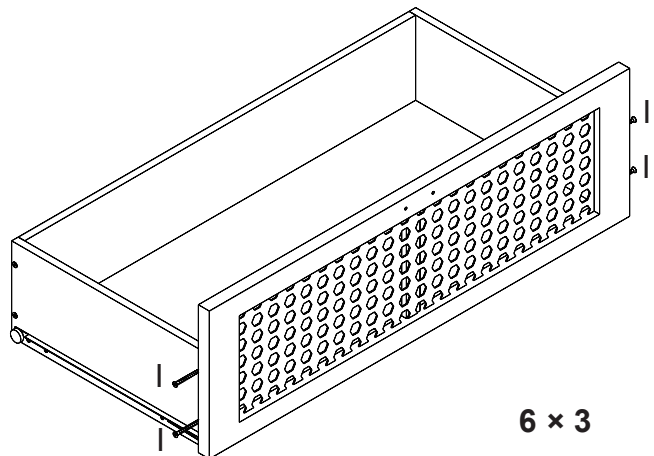


4 x 3


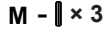
STEP 11 A -  x 3 I -  x 12

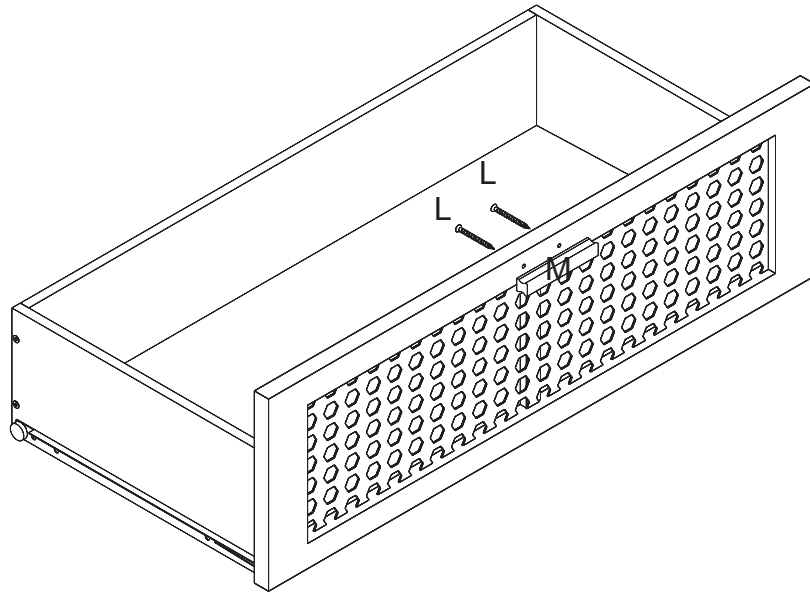


5 x 3



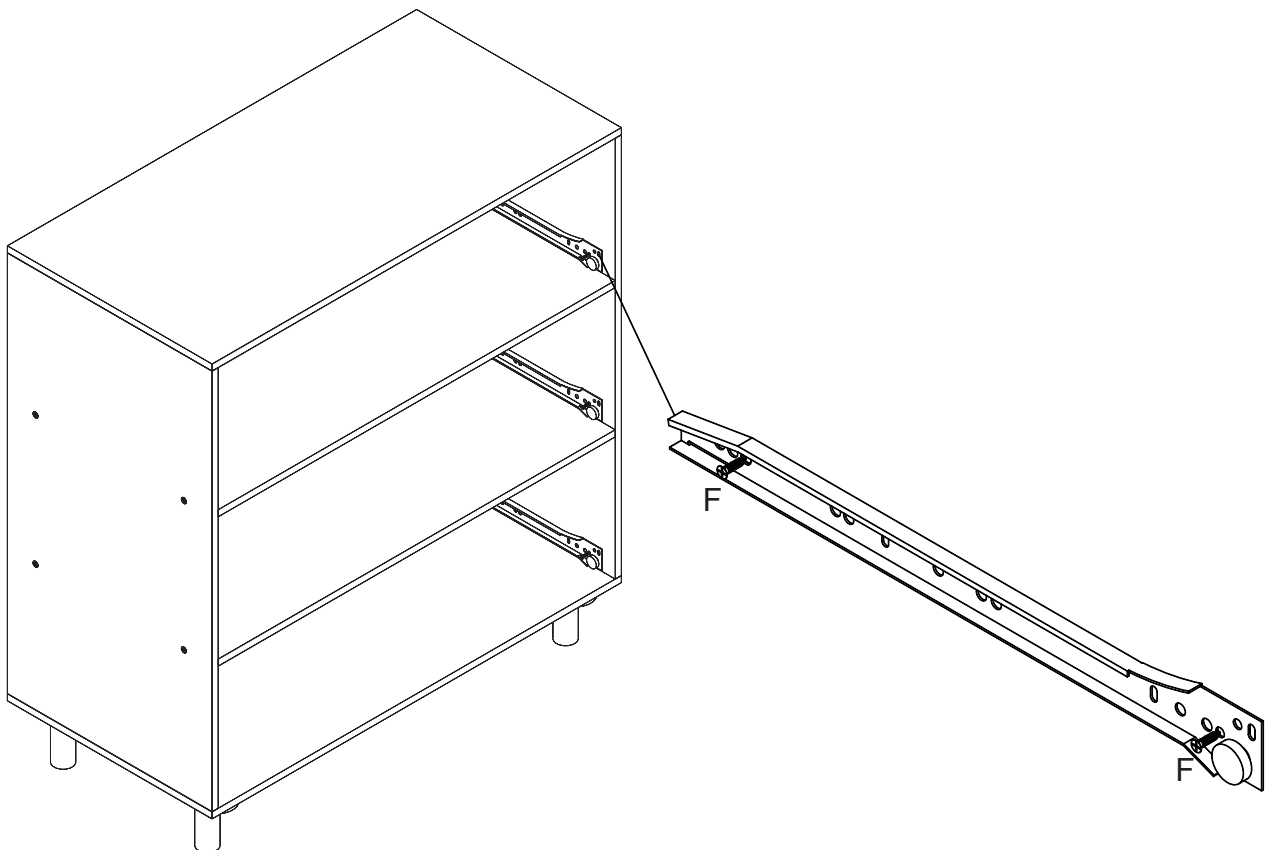
6 x 3

STEP 12 L -  x 6 M -  x 3

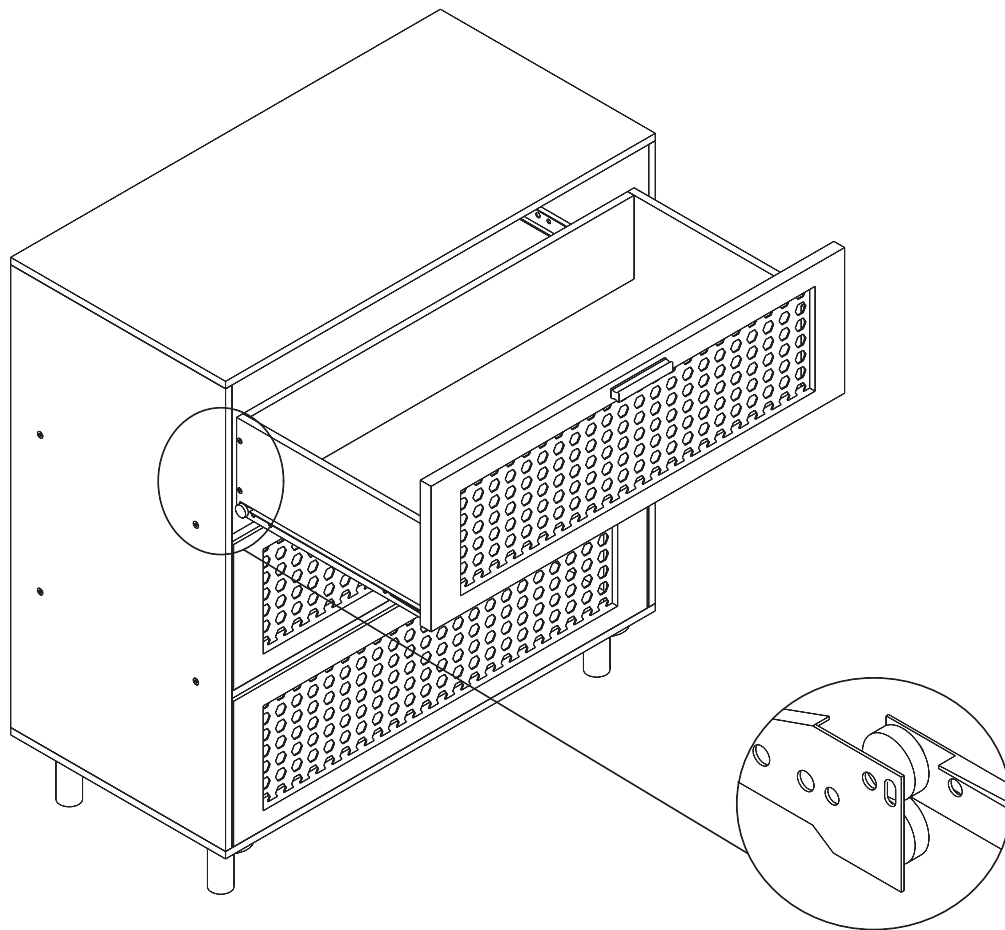


7 x 3






STEP 13 F -  x 12 J -  x 3 K -  x 3

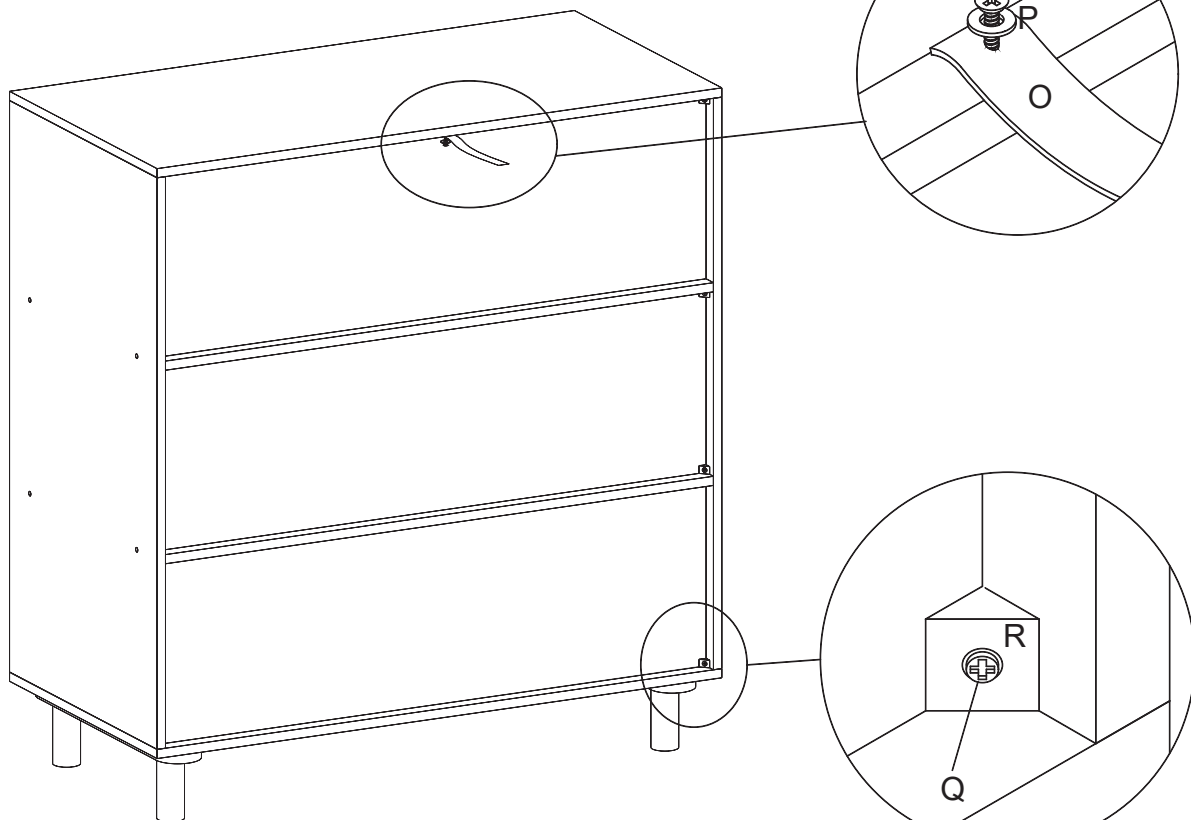




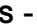

STEP 14

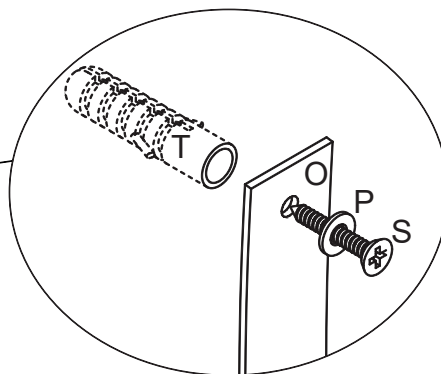
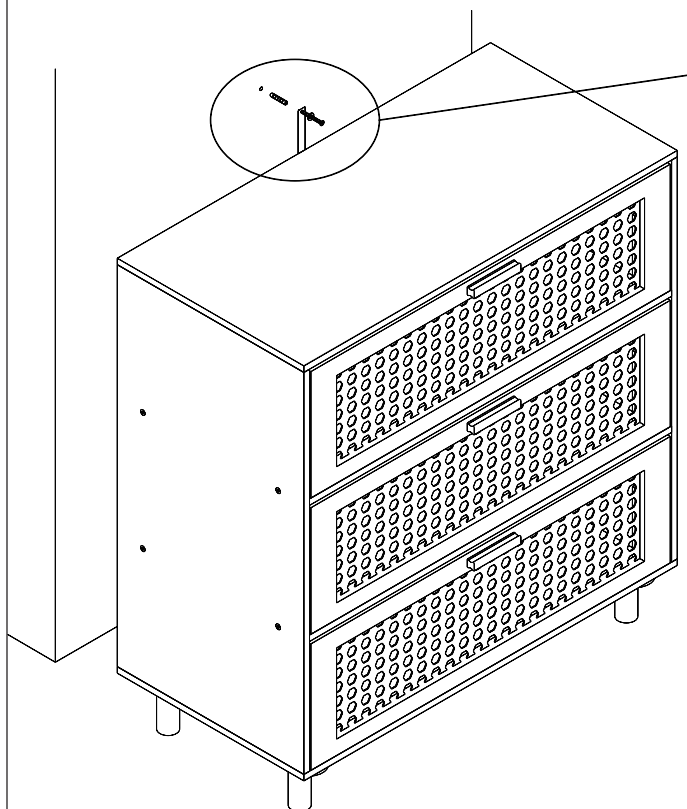


STEP 15

N -  x1 O -  x1 P -  x1 Q -  x8 R -  x8



STEP 16 O -  x1 P -  x1 S -  x1 T -  x1



TOPPLING FURNITURE WARNING:

- >It is strongly recommended that this product is permanently fixed to the wall.
- >Please seek professional advice if you are in doubt of what fixing device to use.
- >Regularly check that anchors are securely maintained.

CAUTION: For your safety when attaching the anchor fixings, please note the following: Check any electrical wires or plumbing inside the wall before drilling any holes (if you are unsure please seek professional advice from a qualified tradesperson).

STEP 17

