

# Assembly Instructions

## 43028825 Oak Look and White Book Holder







**WARNING:** DO NOT STAND, SIT OR LEAN ON THE UNIT. DO NOT USE THIS UNIT AS A STEP LADDER. ENSURE THIS UNIT IS USED ONLY ON A FLAT SURFACE. DO NOT USE THIS UNIT UNLESS ALL BOLTS AND SCREWS ARE FIRMLY SECURED. DO NOT PLACE HOT OBJECTS SUCH AS COFFEE CUPS DIRECTLY ON THE SURFACE OF THIS FURNITURE ITEM. THIS ITEM IS FOR STORAGE PURPOSE ONLY. CONTAINS SMALL PARTS. IT IS TO BE ASSEMBLED BY AN ADULT. FAILURE TO FOLLOW THESE WARNINGS COULD RESULT IN SERIOUS INJURY.

**CARE INSTRUCTION:** WIPE CLEAN WITH A SOFT DAMP CLOTH. NEVER USE SCOURERS, ABRASIVES OR CHEMICAL SOLVENTS. KEEP AWAY FROM MOISTURE AND DIRECT SUNLIGHT. STORE IN A DRY PLACE FOR INDOOR USE ONLY.

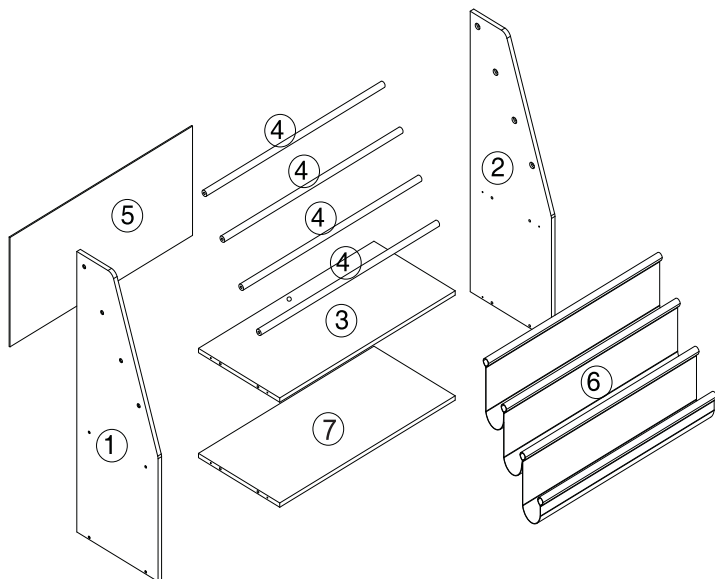
**MAXIMUM SAFE LOAD: 4KG FOR EACH FABRIC LAYER 7KG FOR BOTTOM PANEL.**

1

### Hardware List

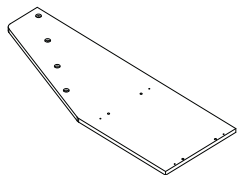
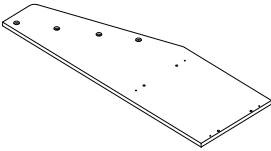
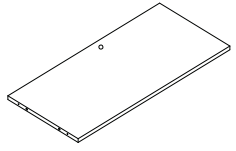
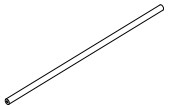
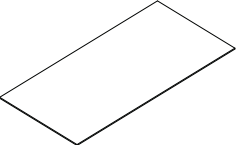
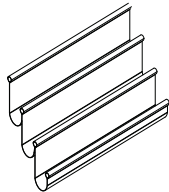
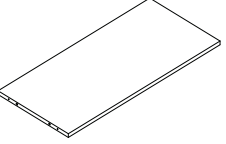
	A	M6x27mm	8pcs		D	M2x16mm	10pcs
	B	M4x35mm	8pcs		E		1pc
	C	∅6x30mm	8pcs		F		16pcs

2






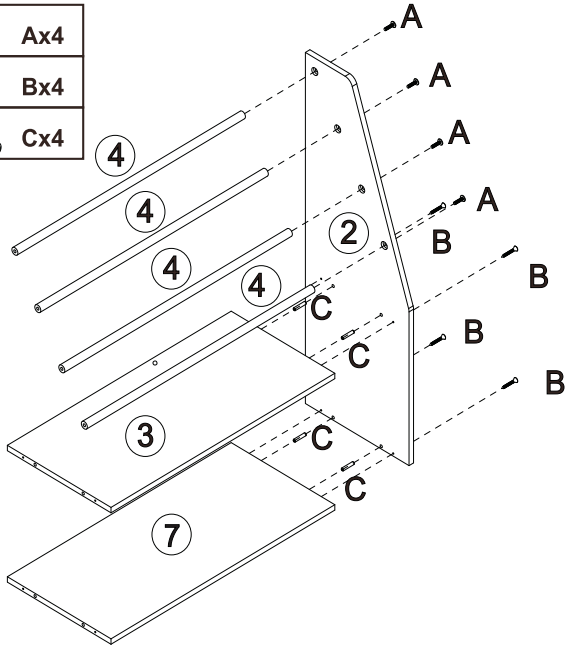
Do not tighten the screws fully during assembly.  
Fully tighten screws after the final assembly steps

3

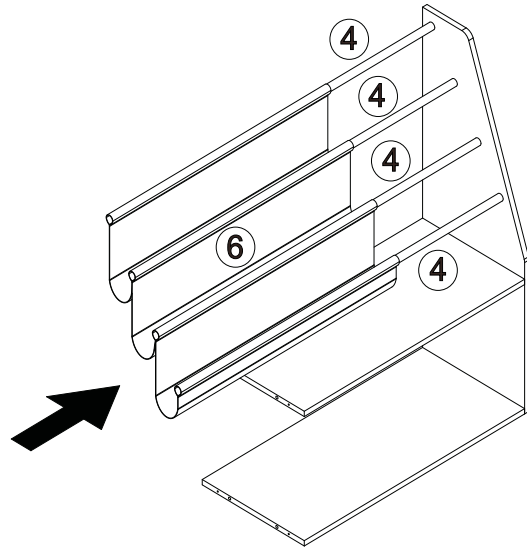
					
①	1PC	②	1PC	③	1PC
					
④	4PCS	⑤	1PC	⑥	1PC
					
⑦	1PC				

### STEP 1




	Ax4
	Bx4
	Cx4

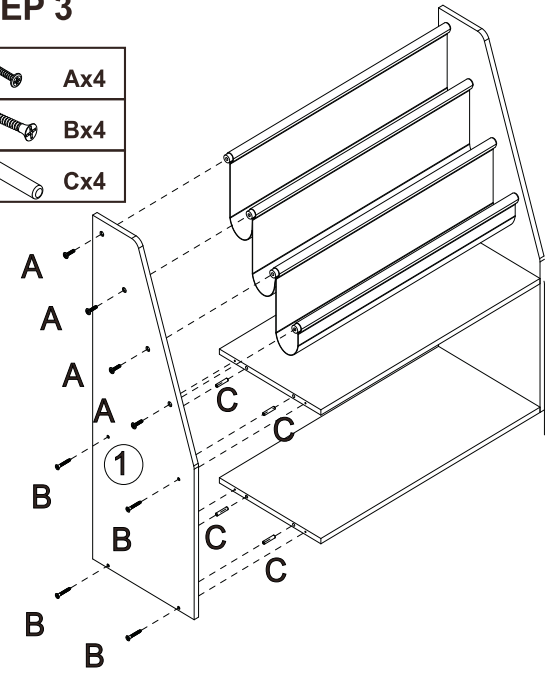


### STEP 2



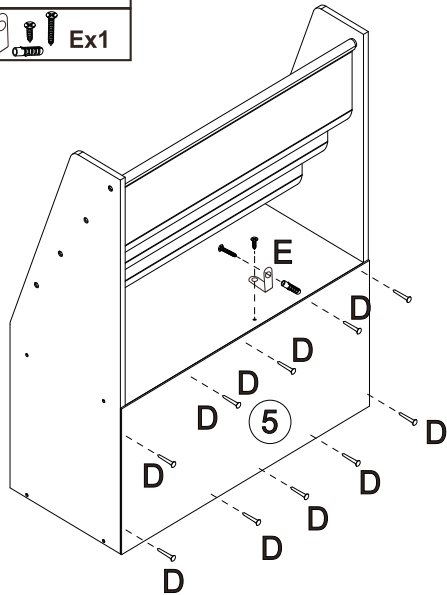
### STEP 3

	Ax4
	Bx4
	Cx4



### STEP 4

	Dx10
	Ex1



**USER INSTRUCTION FOR WALL ANCHOR:**  
 IT IS STRONGLY RECOMMENDED THAT THIS PRODUCT IS PERMANENTLY FIXED TO THE WALL. PLEASE SEEK PROFESSIONAL ADVICE IF YOU ARE IN DOUBT OF WHAT FIXING DEVICE TO USE. REGULARLY CHECK THAT ANCHORS ARE SECURELY MAINTAINED. CAUTION: FOR YOUR SAFETY WHEN ATTACHING THE ANCHOR FIXINGS, PLEASE NOTE THE FOLLOWING: CHECK ANY ELECTRICAL WIRES OR PLUMBING INSIDE THE WALL BEFORE DRILLING ANY HOLES (IF YOU ARE UNSURE PLEASE SEEK PROFESSIONAL ADVICE FROM A QUALIFIED TRADESPERSON)



WARNING: PLEASE SECURE YOUR FURNITURE WITH THE SUPPLIED WALL FIXING. SCAN THE CODE FOR MORE INFORMATION.



### STEP 5

	Fx16
---	------

