


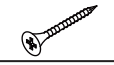
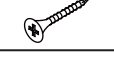
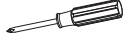


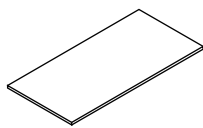
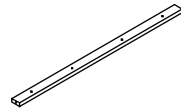
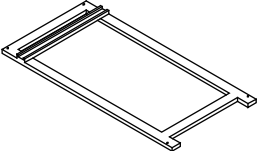
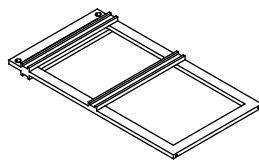
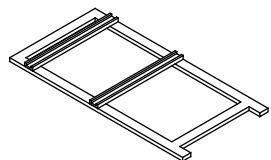
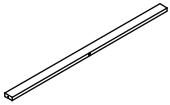
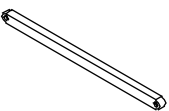
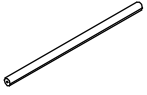
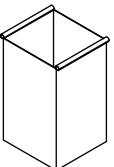
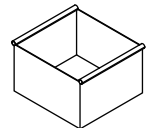
Assembly Instructions

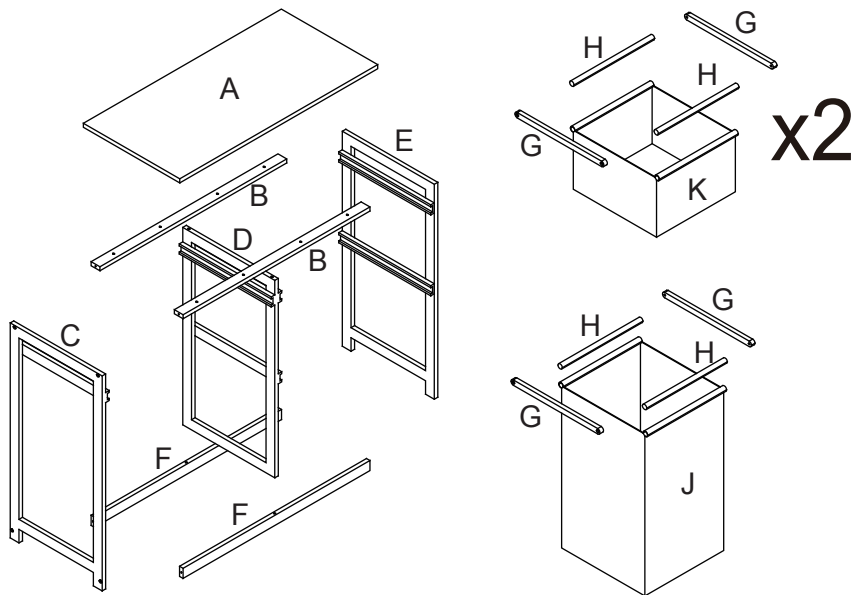
42971092 Hamper with 3 Drawers

WARNING: MAXIMUM TOTAL LOADING WEIGHT: 19KG (8KG FOR THE TOP PANEL, 5KG FOR THE LARGE DRAWER & 3KG EACH FOR THE SMALL DRAWERS).

Hardware list

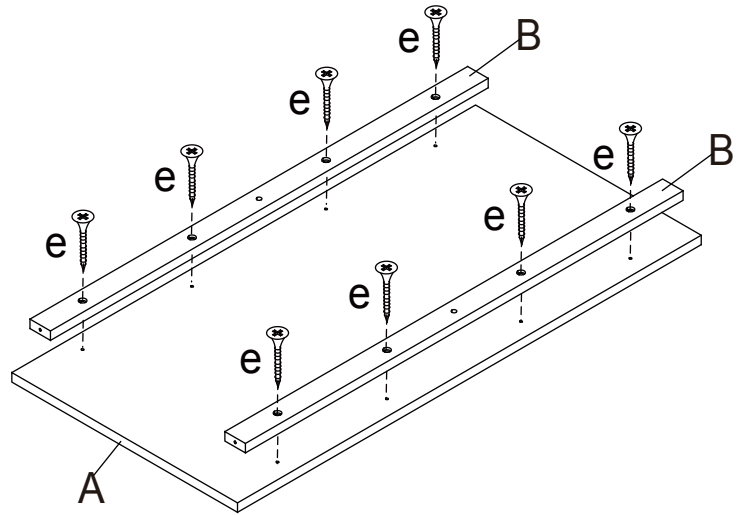
	a		2PCS
	b	15X10mm	2PCS
	c	4X40mm	10PCS
	d	4X30mm	12PCS
	e	4X25mm	8PCS
	Tool required Philips Head Screw Driver (Not Provided)		

					
A	1 PC	B	2 PCS	C	1 PC
					
D	1 PC	E	1 PC	F	2 PCS
					
G	6 PCS	H	6 PCS	J	1 PC
					
K	2 PCS				



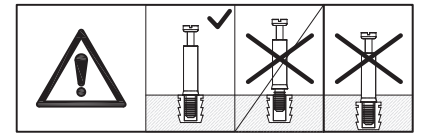
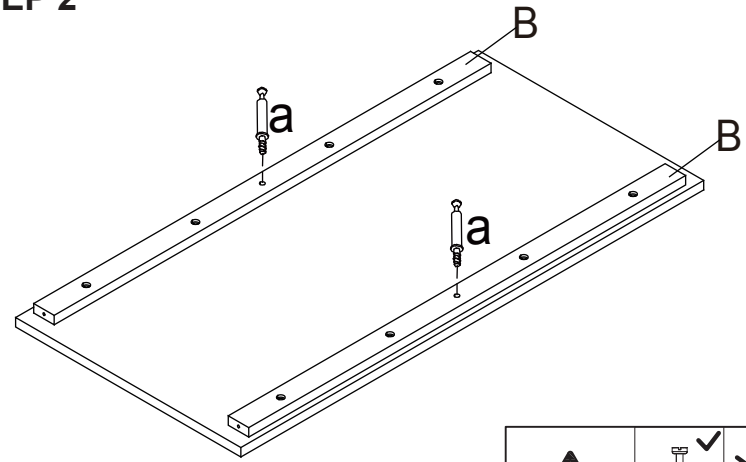
DO NOT TIGHTEN THE SCREWS UNTIL THE PRODUCT IS FULLY ASSEMBLED. FOR INDOOR USE ONLY.

STEP 1



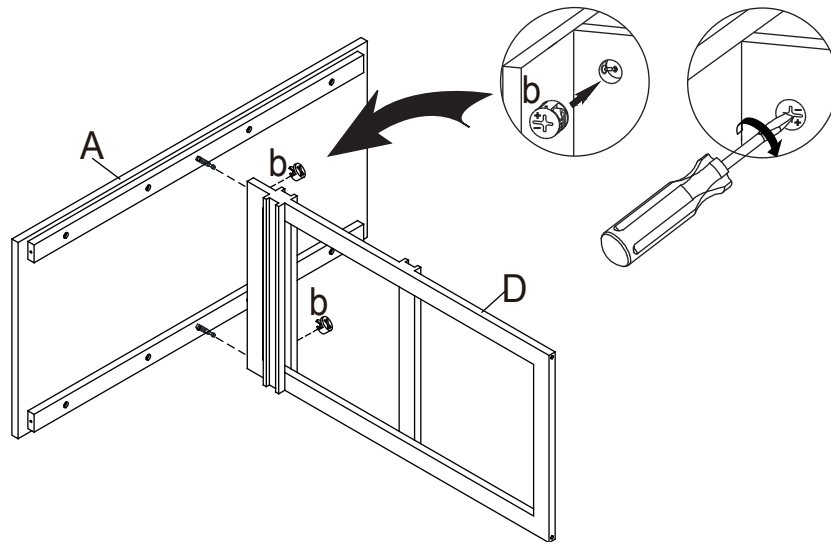
 e X 8


STEP 2



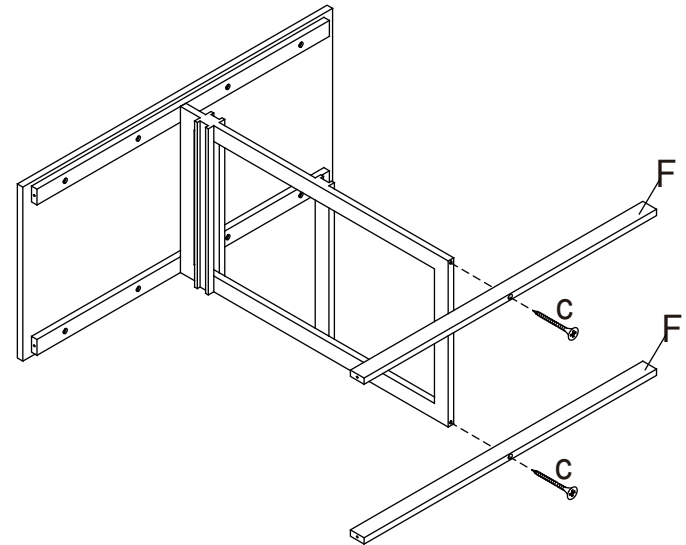
 a X 2


STEP 3



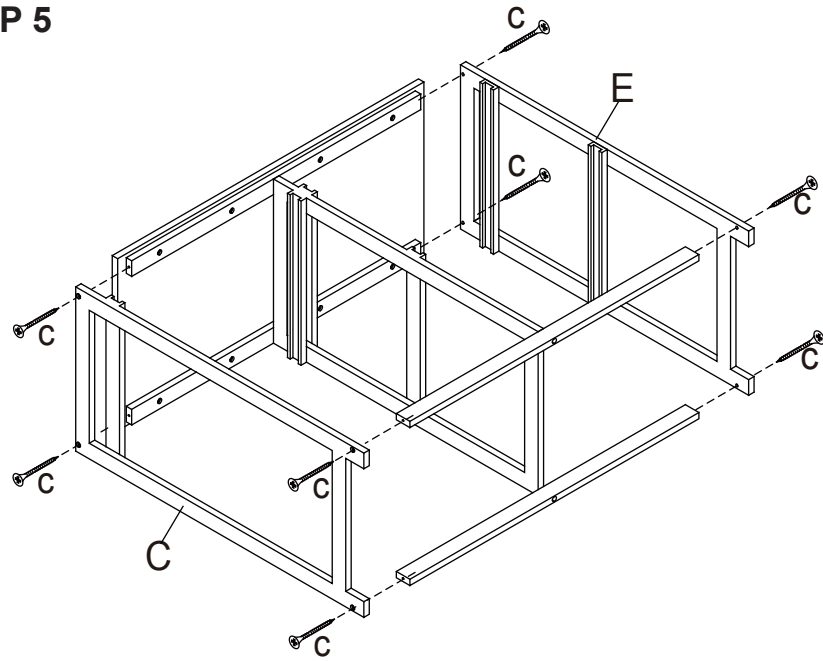
 b X 2

STEP 4



 c X 2

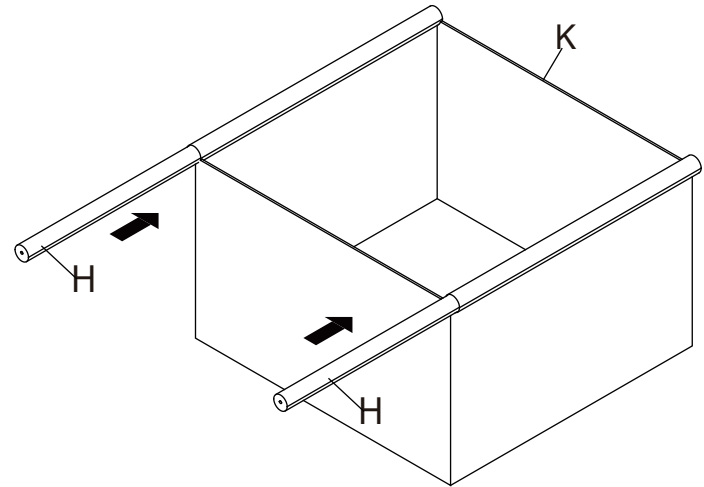
STEP 5



 c X 8

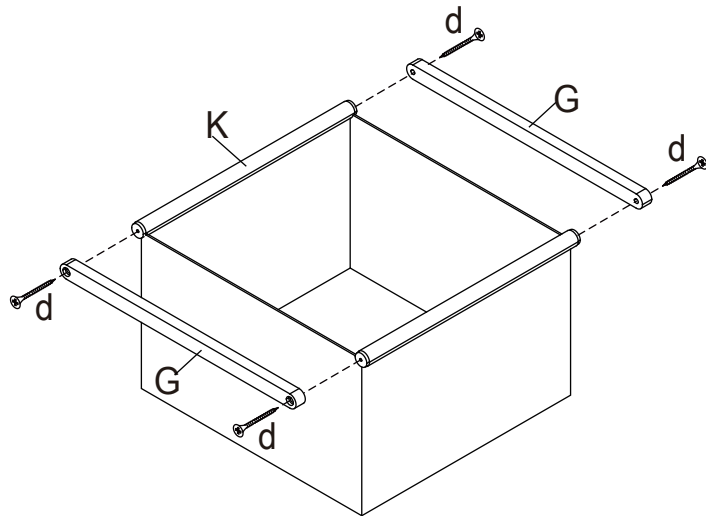
STEP 6

x2



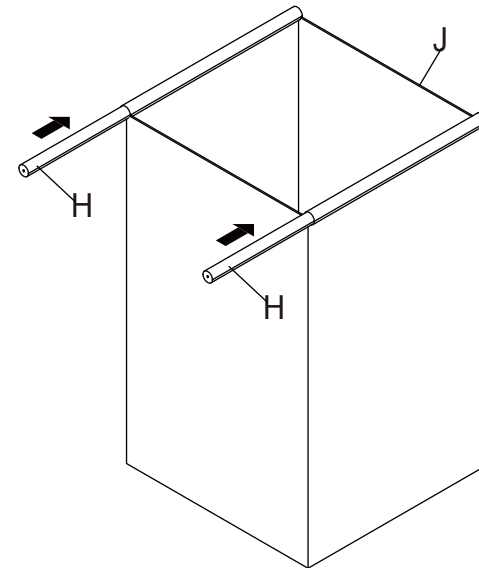
STEP 7

x2

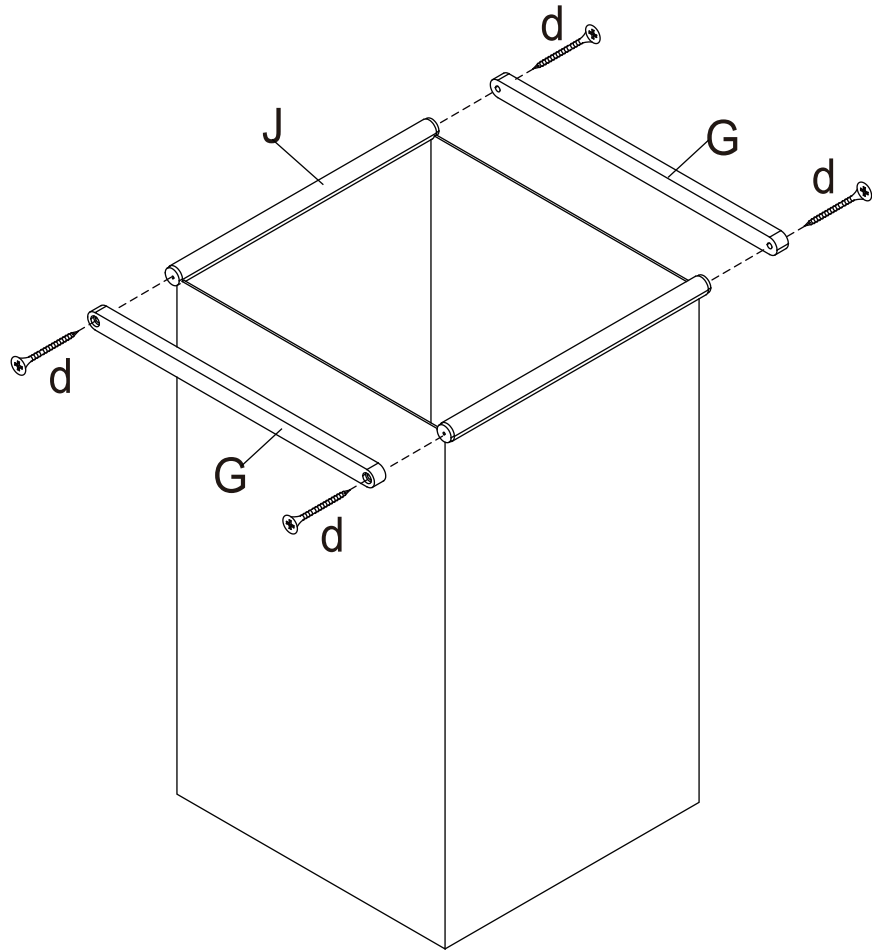


 d X 8

STEP 8



STEP 9



STEP 10

