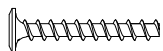


Ax2

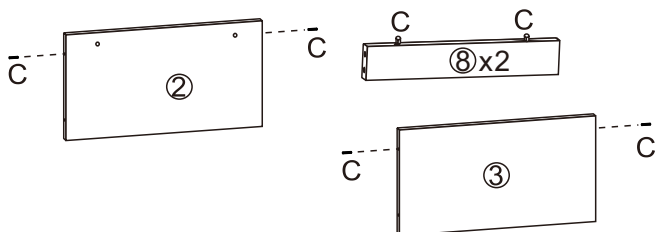


Bx22

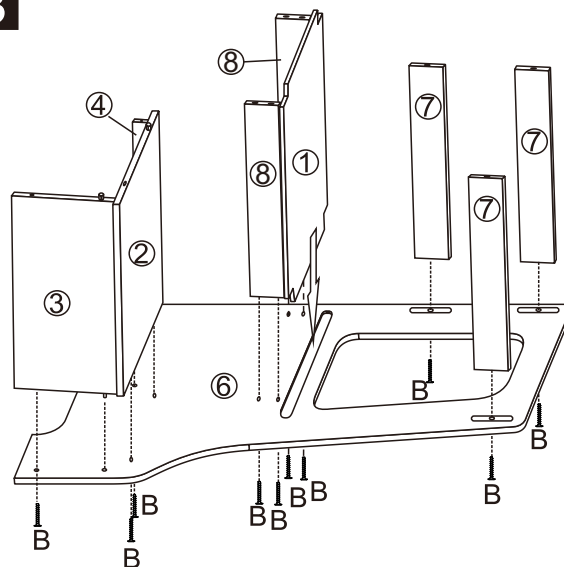


Cx8

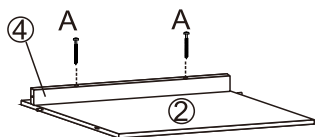
1



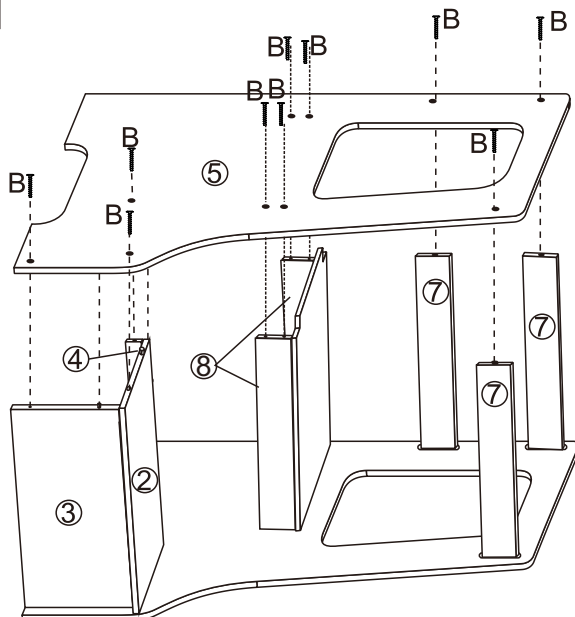
3



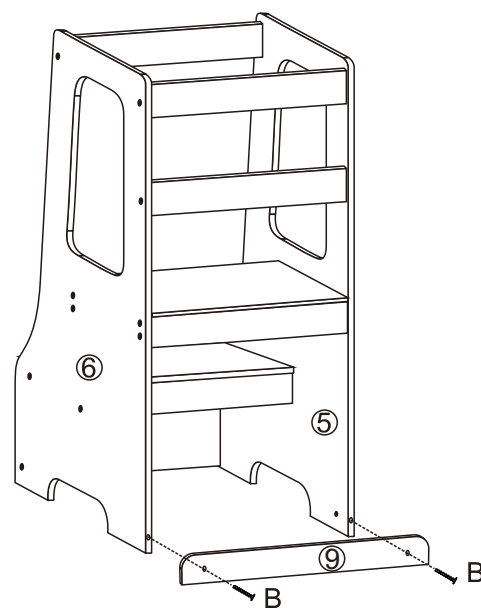
2



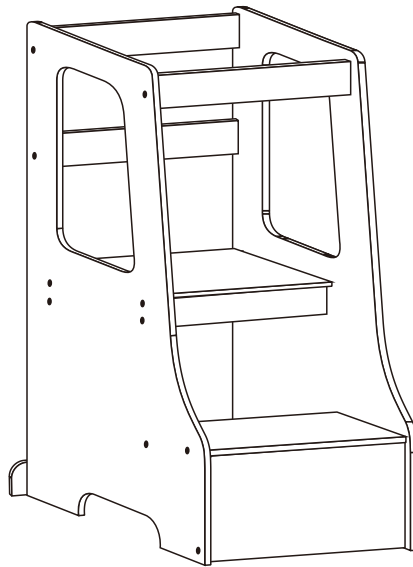
4



5



6



WARNING!

- Adult assembly required.
- Read all the instructions before assembly and use of the product.
- Phillips screwdriver (not included) is required for assembly.
- Take care when unpacking and during assembly.
- Dispose of all packing materials carefully after assembly.
- Regularly check that all fittings remain tight. Tighten if required.
- Inspect the product before assembly and periodically during use. Never use this product if there are any loose or missing fasteners, joints or broken parts.
- Be aware of risk of open fires and other sources of strong heat, such as electric bar fires, gas fires, etc.
- Any additional or replacement parts should only be obtained from the manufacturer or distributor.
- Never substitute parts.
- This stand up stool is intended to be used by children over 18 months of age. Maximum loading weight is 20kgs.
- The step stool is meant for the use of 1 child at a time. Adult supervision is required at all times. Never leave children unattended.
- Do not use near stairs, steps and uneven surfaces.
- Keep instructions for future reference.

Care and Maintenance:

- All assembly fittings are to be properly tightened; inspect regularly and re-tighten as necessary.
- To clean your stand up stool, wipe with a damp cloth and dry immediately with a soft clean cloth.
- Do not use abrasive pads, bleach or strong household cleaners. Damage may result.

Drawings in the manual are for visual purposes only. Actual product may vary slightly. The manufacturer reserves the right to change any specification or feature without prior notice.

Keycode: 42969303

MADE IN CHINA
FOR AU / NZ: IMPORTED FOR KMART
STORES IN AUSTRALIA AND NEW ZEALAND.