

anko

User Manual

USB-C to HDMI adaptor

Keycode 42953272

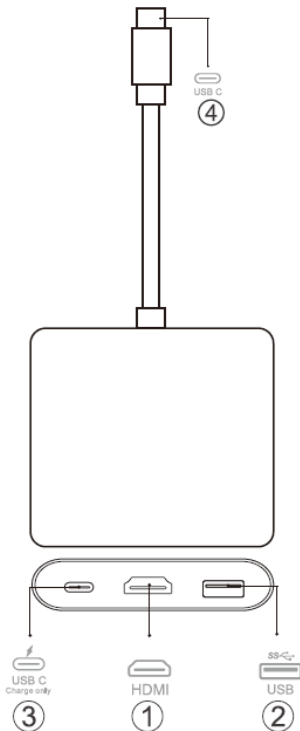


Please read all the information carefully before you use the device to avoid accidents and keep it for future reference.

Product Introduction

1. This product is a multi-functional extension of type-c HUB, compatible with USB3.1 USB-C interface for mobile phones, tablets, laptops and computers. It supports putting pictures, videos, films and sounds from computers, tablets and mobile phones on display devices such as TVS and projectors. USB-A port for charging, data reading and writing

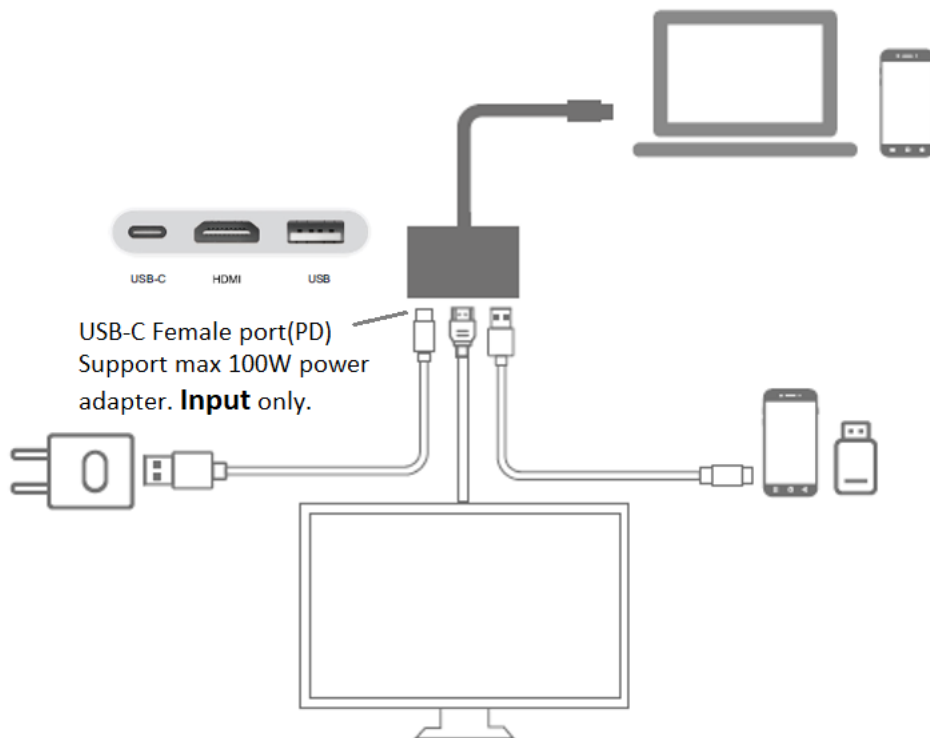
Product port instructions



Product Parameters

1. HDTV:
4K(3840*2160),Downwards Compatible With 1080P,720P etc.
2. USB-A:
High speed USB, Power supply up to 4.5W max.
For Charging, data reading and writing. Also USB device connection for mouse, keyboard..etc.
3. USB-C port:
20V@5A, Support max 100W power adapter. **Input** only.
4. USB-C Male:
Compatible with thunderbolt3. Make sure that the host USB-C port on your device complies with the USB3.0/3.1Specification

Product connection diagram



Caution:

- Plug and play, no need to install drivers and Settings.
- The operating temperature is about 45°, which belongs to normal fever.
- When using the product, please connect the charger in order to avoid losing data by running out of battery.

Compatible Device- Computer/Laptop

Apple: MacBook 12", MacBook 2017/2018/2019, MacBook Air, iPad Pro 11, iPad Pro 12.9

Google: Chrome Book Pixels/Pixel Book Pen

HP: OMEN / EliteBook 1050G1, EliteBook Folio G1/1050G1/840G5 / 14-ce3083TX

Samsung: Note Book Series, Galaxy Book Series

Lenovo: Y7000/Y7000P/Y9000K/Y9000X, YOGA6 Pro, ThinkPad X1 Carbon, Yoga, New Pro13, New Ari14

Microsoft: Surface Book2/Surface Go/ Surface Lap 3/ Surface Pro 7/ Surface Pro X

Compatible Device- Phone

Samsung: S20, S10, S10+, S9, S9+, S8, S8+, Note 8, Note 9, Note 10, Note 10+

Huawei: Mate 40 / Mate 30/30Pro/30RS, Mate20/20Pro/20X/20RS, P30/P30Pro, P20/P20Pro, Mate10/Mate10Pro, Honor V20, Honor Note10

Microsoft: Microsoft 950, Microsoft 950XL

12 Month Warranty

Thank you for your purchase from Kmart.

Kmart Australia Ltd warrants your new product to be free from defects in materials and workmanship for the period stated above, from the date of purchase, provided that the product is used in accordance with accompanying recommendations or instructions where provided. This warranty is in addition to your rights under the Australian Consumer Law.

Kmart will provide you with your choice of a refund, repair or exchange (where possible) for this product if it becomes defective within the warranty period. Kmart will bear the reasonable expense of claiming the warranty. This warranty will no longer apply where the defect is a result of alteration, accident, misuse, abuse or neglect.

Please retain your receipt as proof of purchase and contact our Customer Service Centre on 1800 124 125 (Australia) or 0800 945 995 (New Zealand) or alternatively, via Customer Help at [Kmart.com.au](https://www.kmart.com.au) for any difficulties with your product. Warranty claims and claims for expense incurred in returning this product can be addressed to our Customer Service Centre at 690 Springvale Rd, Mulgrave Vic 3170.

Our goods come with guarantees that cannot be excluded under the Australian Consumer Law. You are entitled to a replacement or refund for a major failure and compensation for any other reasonably foreseeable loss or damage. You are also entitled to have the goods repaired or replaced if the goods fail to be of acceptable quality and the failure does not amount to a major failure.

For New Zealand customers, this warranty is in addition to statutory rights observed under New Zealand legislation.