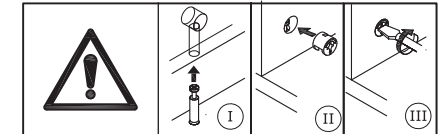
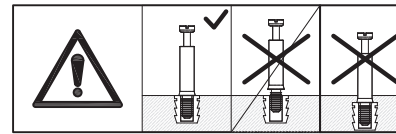
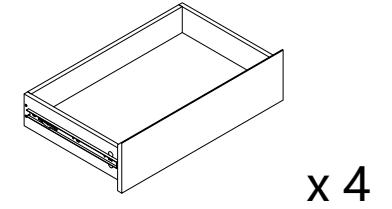
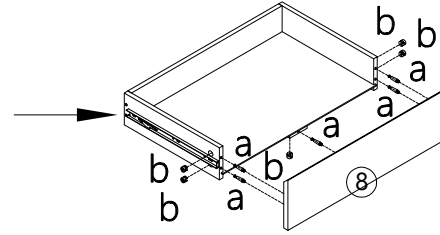
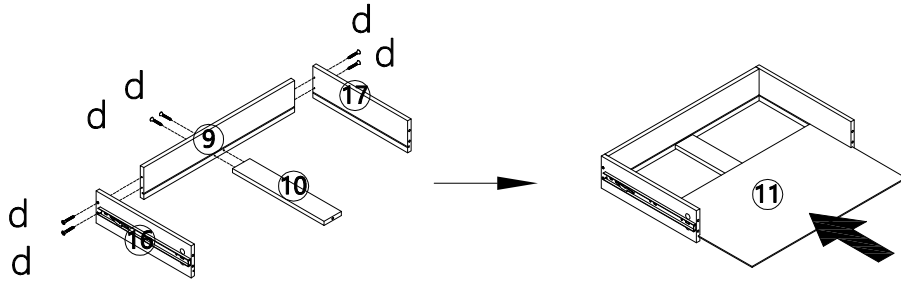


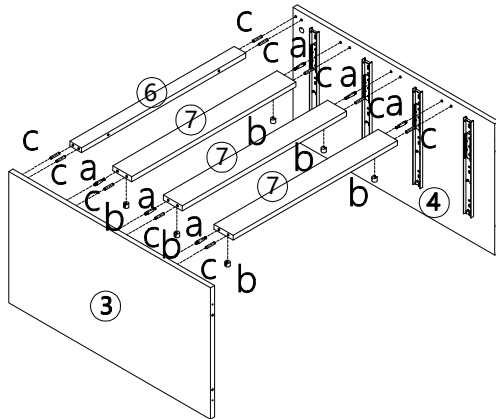
Step 1:

 x 20  x 20  x 24







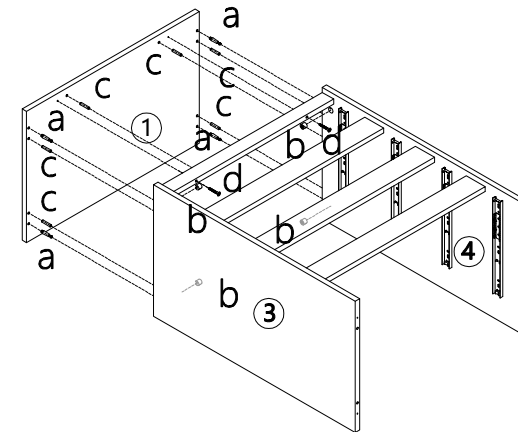
Step 2:

 x 6  x 6  x 10

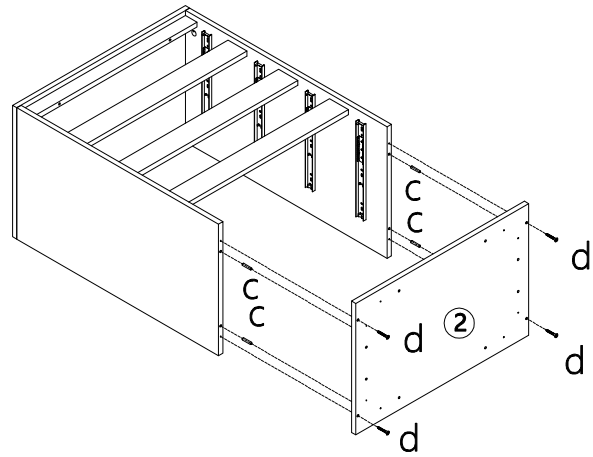


Step 3:

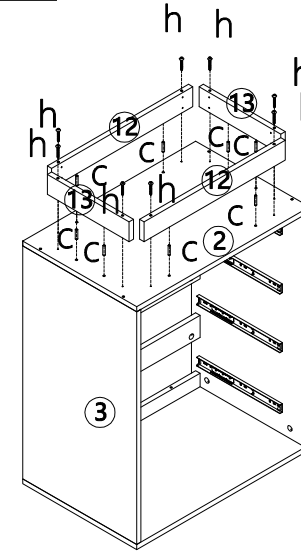
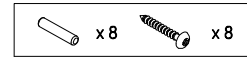
 x 4  x 4  x 6  x 2



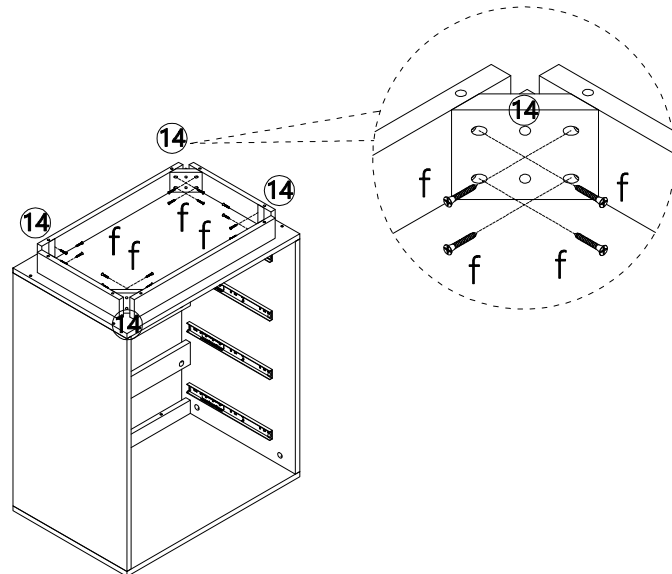
Step 4:



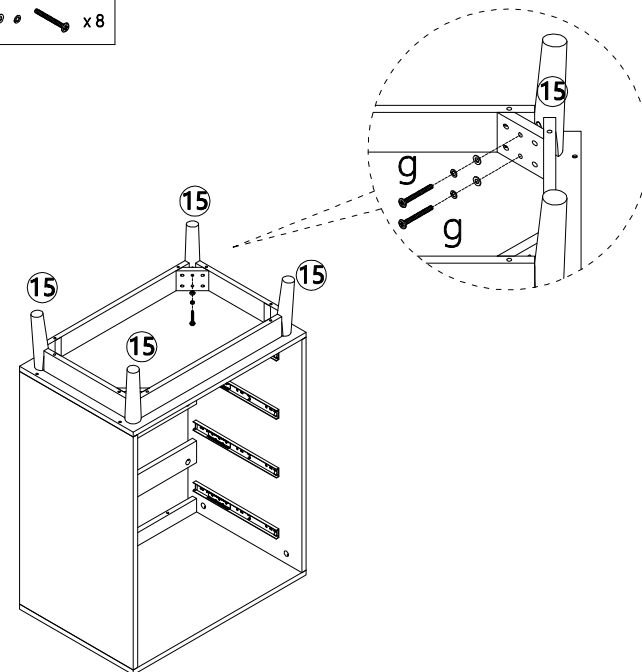
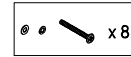
Step 5:



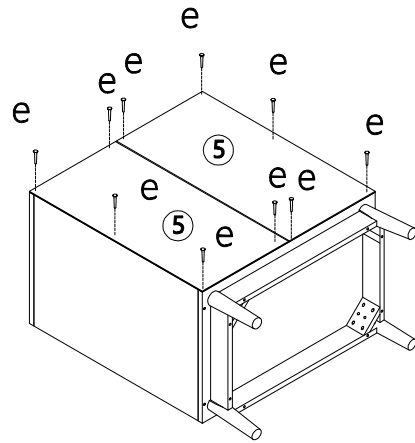
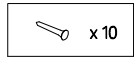
Step 6:



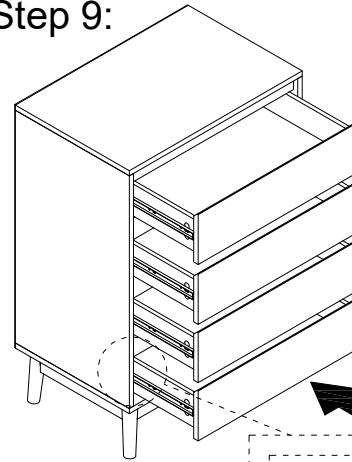
Step 7:



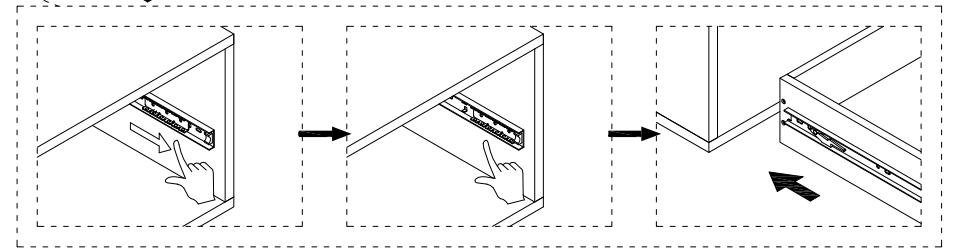
Step 8:



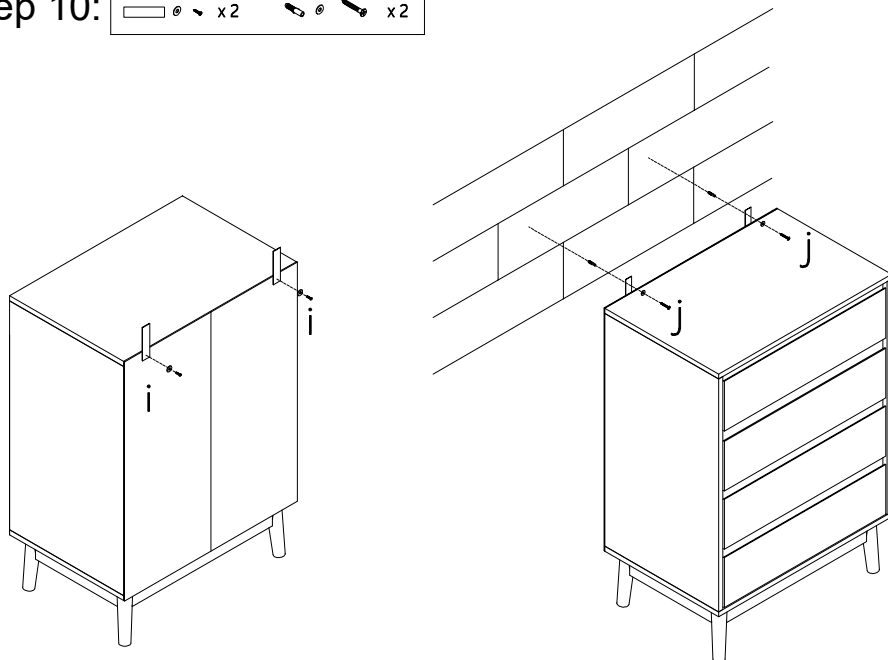
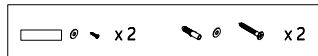
Step 9:



Slide ball bearing slide part to top of rail when assembling the drawer.



Step 10:



It is strongly recommended that this product is permanently fixed to the wall. Please seek professional advice if you are in doubt of what fixing device to use.

Regularly check that anchors are securely maintained.

CAUTION: for your safety when attaching the anchor fixings, please note the following: Check any electrical wires or plumbing inside the wall before drilling any holes

(if you are unsure please seek professional advice from a qualified tradesperson).

