

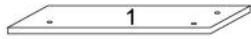
anko

Cat tower



Contents

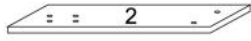
Contents



1PC SIZE 480mm*400mm*15mm



2PC SIZE 530mm



1PC SIZE 480mm*400mm*12mm



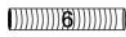
1PC SIZE 280mm*280mm*240mm



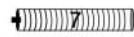
2PC SIZE 280mm*280mm*12mm



2PC SIZE 450mm



1PC SIZE 450mm



1PC SIZE 400mm

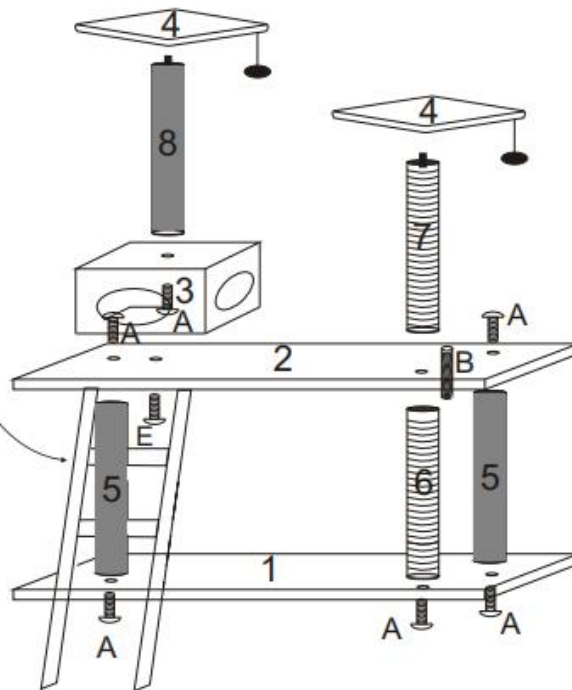
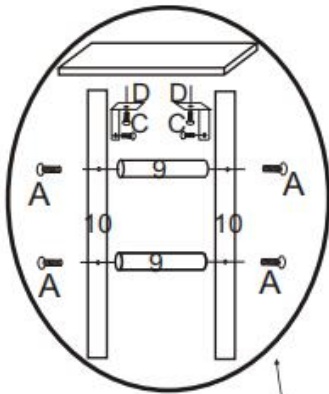


1PC SIZE 400mm



2PC SIZE 150mm

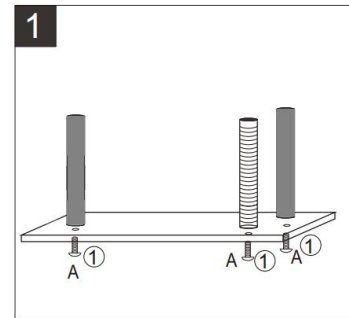
Accessory	Size	Quantity
	A 8mm*35mm	10PC
	B 8mm*70mm	1PC
	C 6mm*12mm	4PC
	---	2PC
	E 8mm*27mm	1PC
	F 5mm	1PC



Assemble Instructions

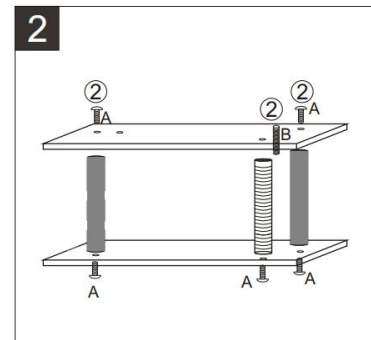
Step 1.

Using the Hex key (F x 1) and screws (A x 3) screw poles (No.5 x 2, No.6 x 1) together with the board (No.1 x 1). For pole placement please refer to the image on the right.



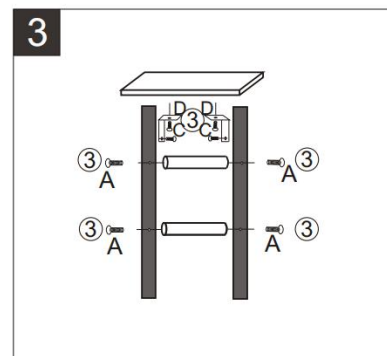
Step 2.

Using the Hex key (F x 1) and screws (A x 2) screw the board (No.2 x 1) and insert the screw (B x 1) on assembled pole No. 6 (please do not over-tighten the screws at this step).



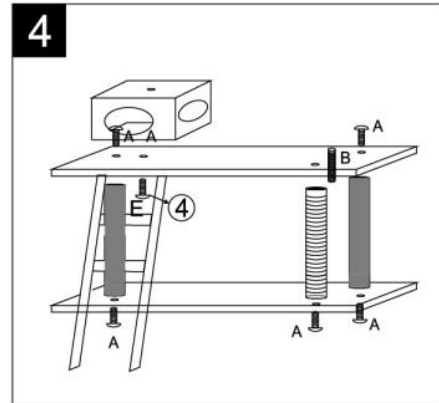
Step 3.

Using the Hex key (F x 1) and screws (A X 4) screw panels (No.10 x 2) together with the middle poles (No.9 x 2). Using the Hex key (F x 1) and screws (C x 2) to screws the parts (D x 2) on the inside of the ladder. Rest of screws (C x 2) will be used to assemble the ladder with board No.2 by using the Hex key (F x 1). (please tighten the screws at this step).



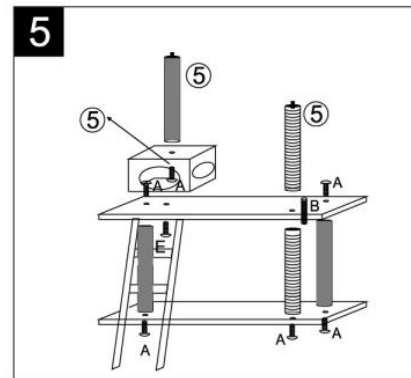
Step 4.

Assemble the playhouse No.3 on the board NO.2 by using Hex key (F x 1) and screws (E X1).



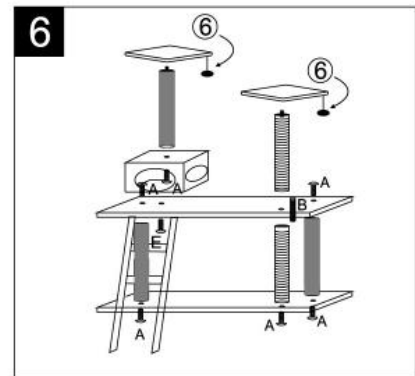
Step 5.

Screw the pole No.7 onto the dual threaded screws B. Using the Hex key (F x 1) and screws (A x 1) screw playhouse No.3 together with pole No.8



Step 6.

Screw the boards (No.4 x 2) onto the poles (NO.8 and NO.7) as image showing on the right. Ensure all connections are firm and secure.



WARNING: Pet toy – Not intended for children.

It is the responsibility of the pet owner if this toy is suitable for their pet's style of play.

No pet toy is indestructible and can be damaged during play.

For your pet's safety, inspect regularly and remove if damaged.

Always supervise your pet during play.