


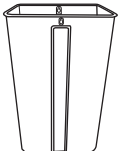

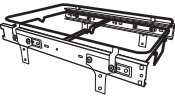
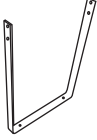
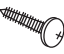




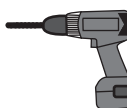
# ASSEMBLY INSTRUCTIONS

## CHROME CABINET REFUSE

**Important:**

1. Please read these instructions before assembling the product.
2. Ensure you have all parts listed before commencing assembly.
3. Keep this leaflet for future reference.
4. Maximum loading weight: 5kg per bin.

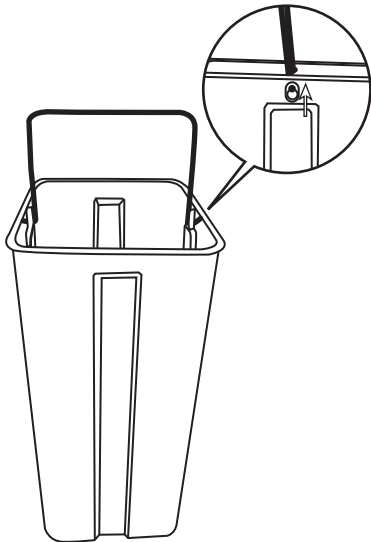
### PART LIST

										
LidX1	Bin x2	Handle x2	Sliding rail x1	Frame x2	A x4	B x8	C x8	D x1	Tool not included	Tool not included

### ASSEMBLY INSTRUCTIONS

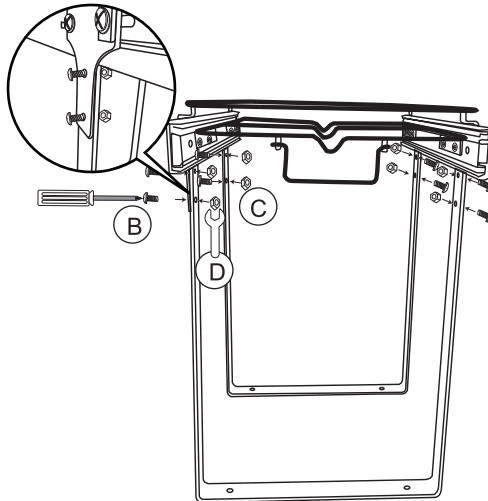
**1**

Assemble handle on the bin and pull up the handle to make it strong.



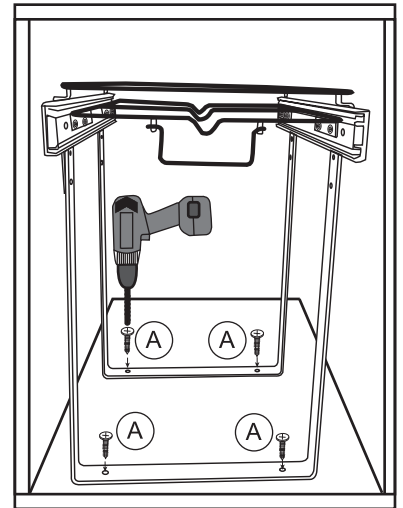
**2**

Using screw B & nut C to connect the frames and sliding rail together. Use the spanner(D) to fix the nut(C).



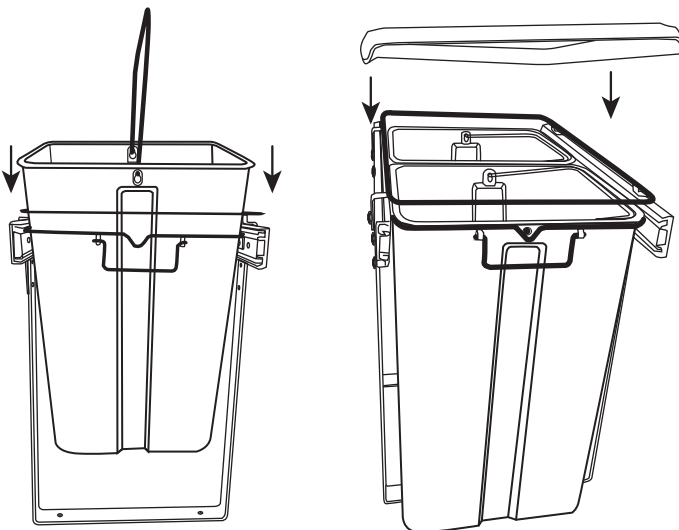
**3**

Assemble sliding rail & frames on the cabinet with power drill (not provided) by using 4 screws A.



**4**

Put the bins in the frame and assemble the lid, then you could get a functional and good-looking cabinet pull-out bins.



**5**

Finished assembly

