

# Instruction Manual

## Outdoor Gazebo 2.4x2.4M

KC: 42832508

### Product Image-



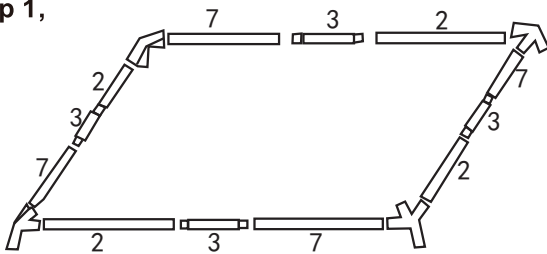
### Parts list-

No.	Part name	Quantity	Image
1	Tent body	x1	
2	Steel pole ②	x8	
3	Steel pole ③	x4	
4	Steel pole ④	x4	
5	Steel pole ⑤	x4	
6	Steel pole ⑥	x4	
7	Steel pole ⑦	x4	
8	Plastic Centre 4Way Hub	x1	
9	Plastic Side 4Way Hubs	x4	
10	Plastic Base	x4	
11	Guy rope	x4	
12	Peg	x8	

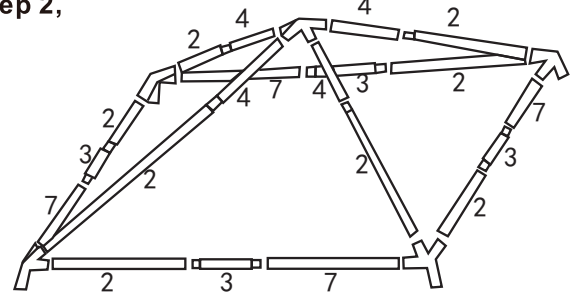
Please read all instructions carefully and make sure you have all parts before starting to assemble

### Assembly steps-

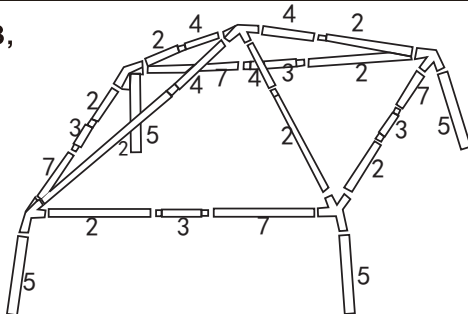
#### Step 1,



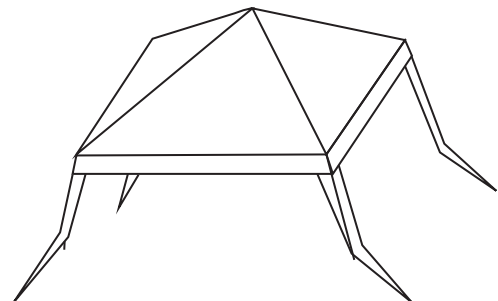
#### Step 2,



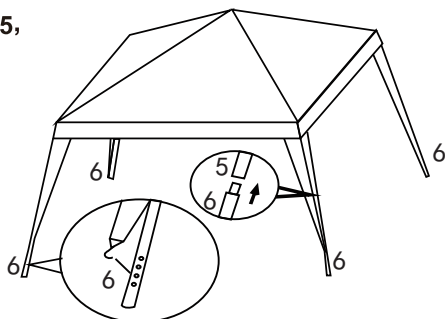
#### Step 3,



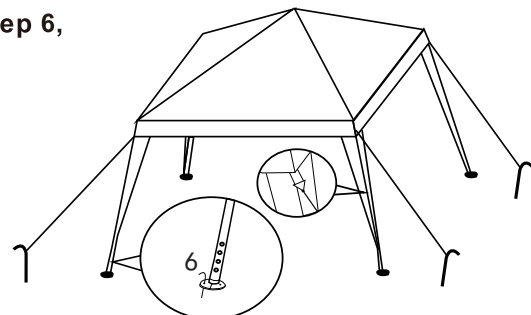
#### Step 4,



#### Step 5,



#### Step 6,



# Warning -

- KEEP ALL FLAME AND HEAT SOURCE AWAY FROM THIS TENT FABRIC
- DO NOT USE CANDLE, MATCHES OR OPEN FLAME OF ANY KIND IN OR NEAR THE TENT
- DO NOT COOK INSIDE THE TENT
- DO NOT SMOKE IN THE TENT
- DO NOT STORE FLAMMABLE LIQUIDS INSIDE THE TENT
- EXTINGUISH OR TURN OFF ALL LANTERNS BEFORE GOING TO SLEEP
- CHOOSE LEVEL SITE TO ERECT TENT THAT IS CLEAR FROM OVERHANGING BRANCHES AND NOT IN LOW LYING AREAS THAT COULD BE SUBJECT TO FLOODING

# Care instruction-

- WIPE CLEAN WITH A DAMP CLOTH
- DO NOT USE ABRASIVE MATERIALS AND SOLVENTS
- ENSURE TENT IS CLEAN & DRY BEFORE PACKING OR STORING TO PREVENT DAMAGE FROM MOULD & MILDEW

Made In China