

5 BIKE RACK INSTRUCTIONS

Keycode: 42825470

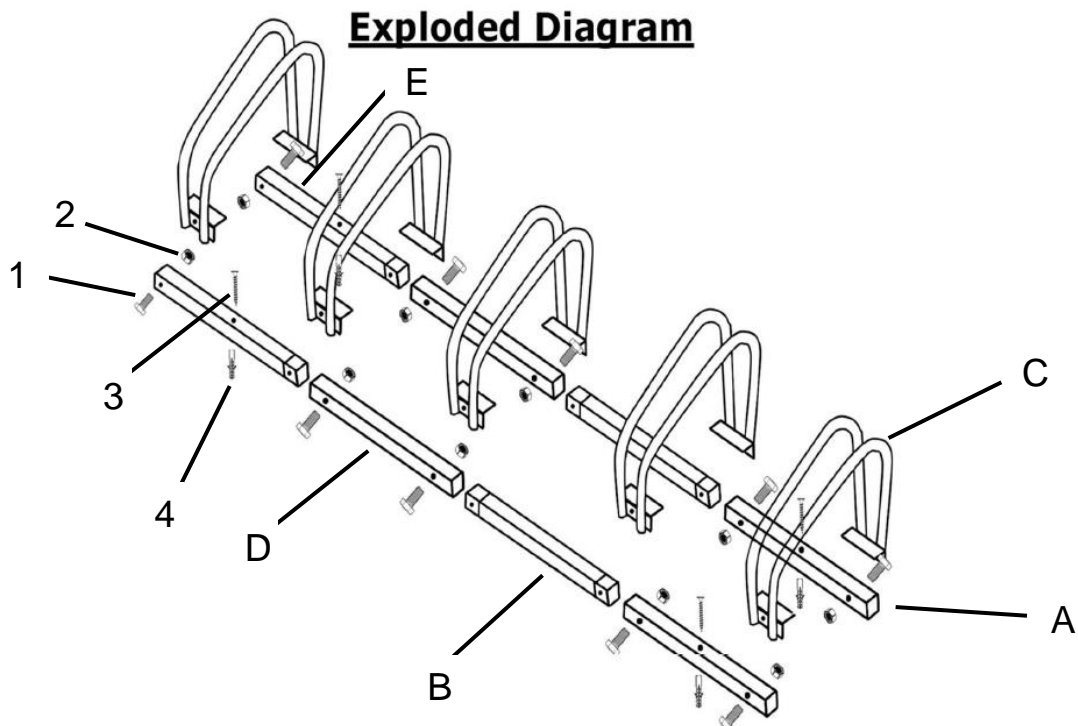
Carefully read through the instruction manual before assembling the bike rack to avoid the risk of injury to yourself or damage to the item.

Safety Instructions:

- Before use, thoroughly inspect for proper assembly & ensure all fixings are tight. Remember, fixings can become loose over time so it is important to check regularly.
- Do not apply excessive force.
- Please be mindful when assembling the parts. Be careful of your hands & fingers throughout assembly.
- Ensure that the bicycle has a secure and stable fit before parking each bike.
- This rack is designed for bicycles only.
- To avoid danger of suffocation, keep all packaging, plastic bags & any small parts away from babies & children.

CONTENTS:

The product consists of main five parts which are listed and shows in the diagram below, please assemble each part step by step.

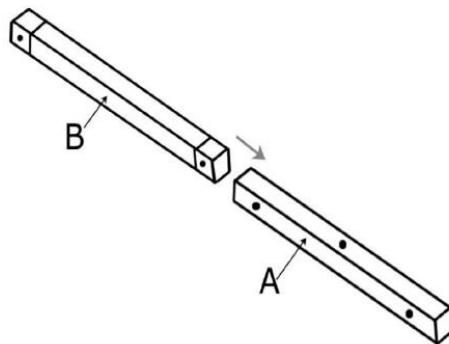


- A. Tube A - one side seal (2pcs)
- B. Tube B - 2 small ends (2pcs)
- C. Bike Mount (5pcs)
- D. Tube C - two sides open (2pcs)
- E. Tube D - 1 small ends (2pcs)
- 1. Bolts (10pcs)
- 2. Nuts (10pcs)
- 3. Screws (6pcs)
- 4. Plugs (6pcs)

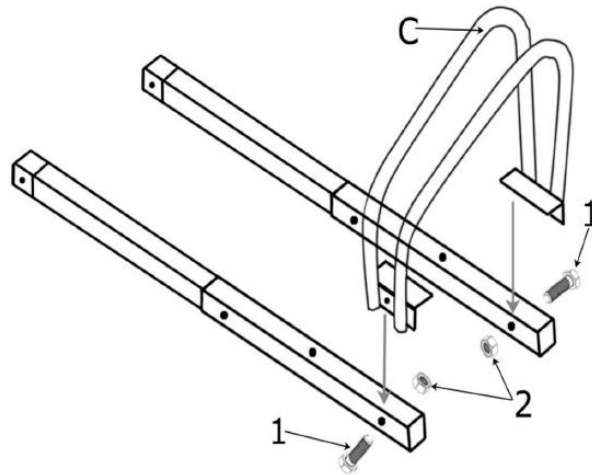
Assembly Instructions:

Warning! Remove the bike rack and all the parts from the box. Set out all the parts and read the assembly instructions prior to use. Keep the packaging until assembly is complete.

1. Insert Tube B into Tube A



2. Place Bike Mount (C) over pre drilled holes and secure with Bolt (1) & Nut (2)



3. Insert Tube D into Tube B, then repeat step 2

4. Insert Tube E into Tube D, then repeat step 2

5. Place the bike rack in the intended location you have chosen and attach using the supplied Screws (3) & Plugs (4)

