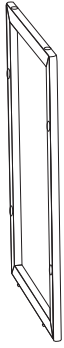
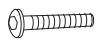

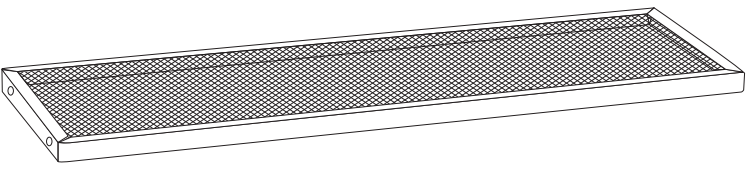

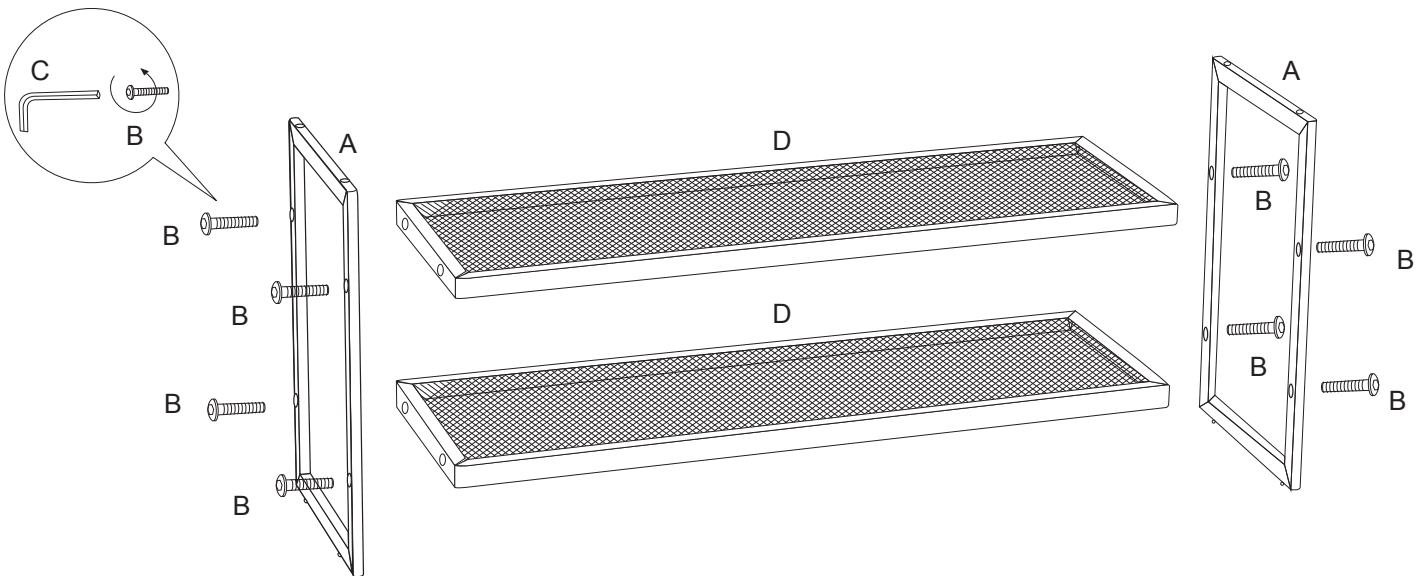


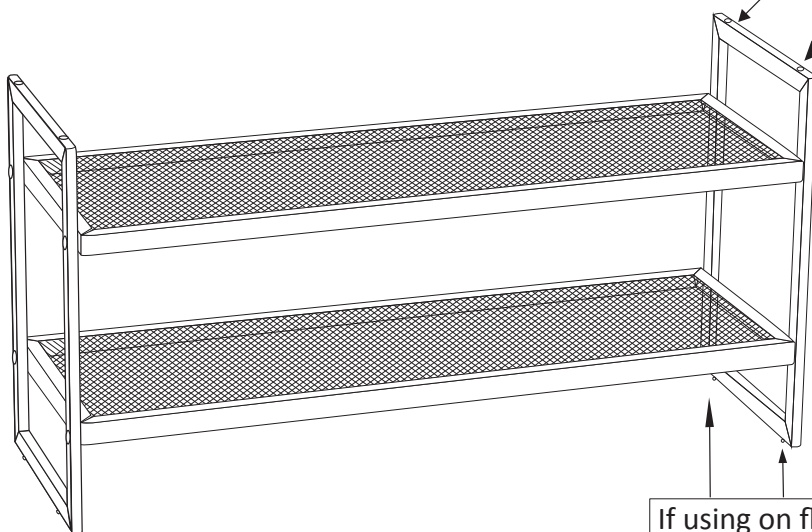
size:28.5x21cm

ASSEMBLY INSTRUCTIONS

 AX2	 BX8	 Hex Key C X1	 DX2	 Hook Loop EX2
--	--	--	---	---



These indents can anchor another shoe rack, use the hook and loops straps to hold the racks firmly in place. If stacking more than 2 units, anchor the units to the wall to avoid a toppling hazard .



If using on floors that can scratch,use footpads underneath to protect floor. Footpads are not included.