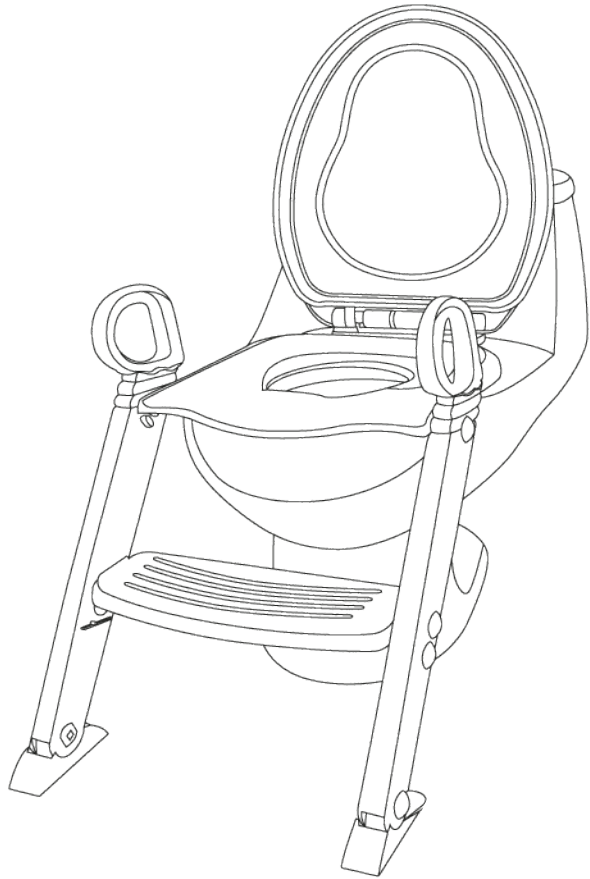


anko INSTRUCTION MANUAL

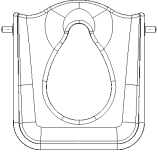
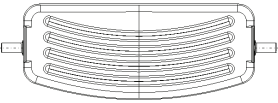
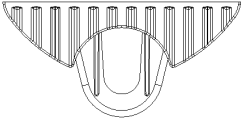
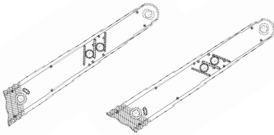

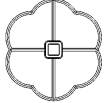


TOILET TRAINING SYSTEM

Read & follow instructions carefully and keep for future reference.



1

PARTS LIST

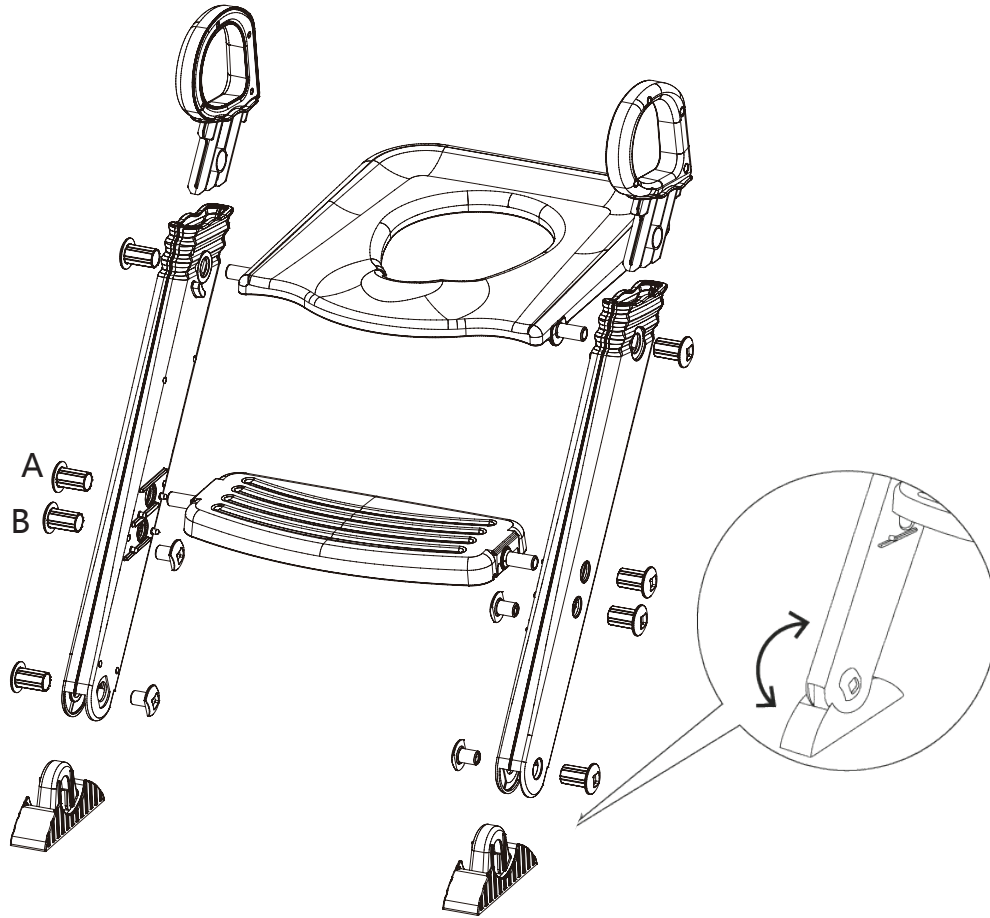
 Toilet Seat x 1	 Step x 1
 Base Support x 2	 Leg x 2
 Handrail x 2	 Screwdriver x 1
 Screw x 4	 Nut x 8

2

ASSEMBLY INSTRUCTIONS

Assemble all components as per below illustrated image. The step can be assembled in 2 height positions - Level A or B.

Insert and secure remaining screws into the 2nd height level to prevent loss. Tighten the screws and it is ready for use. The seat and legs both swivel to allow use on various toilet heights.



Swivel to enable proper adjustment.

3

WARNING

1. Adult assembly required. Do not allow children to play with the screws or parts as they may present a small parts hazard.
2. Before use, check that all screws are tightened. Place onto toilet bowl and ensure the seat sits flush on the toilet. Ensure the feet are placed flat onto the floor. Do not place onto a mat.
3. This product shall never be used without competent adult supervision.
4. Suitable for 1 child up to 20kg.

Keycode : 42627869

MADE IN CHINA

©KMART AUSTRALIA LIMITED

ANKO, KIDS&CO. AND BABY SOLUTIONS ARE ALL TRADEMARKS OF KMART AUSTRALIA LIMITED. THEY ARE USED IN NEW ZEALAND BY COLES GROUP NEW ZEALAND HOLDINGS LIMITED TRADING AS KMART IN NEW ZEALAND.

KMART AUSTRALIA – 690 SPRINGVALE ROAD, MULGRAVE, VIC 3170 AUSTRALIA.

KMART NEW ZEALAND – REGIONAL OFFICE C/O KMART PAPATOETOE STORE, HUNTERS PLAZA, GREAT SOUTH ROAD, PAPATOETOE, AUCKLAND, NEW ZEALAND.

4