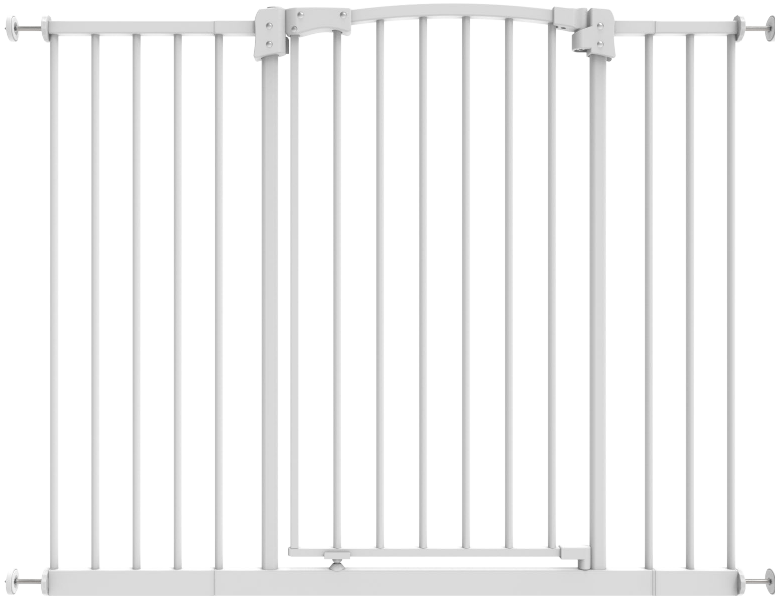


# Tall & Wide Metal Gate

- › gate with no extensions fits: 71.5cm - 79cm
- › gate with 1 x 12.7cm extension fits: 84.5cm - 92cm
- › gate with 1 x 25.4cm extension fits: 96.5cm - 104cm
- › gate with 1 x 12.7cm and 1 x 25.4cm extension fits: 109.5cm - 117cm

6-24  
months

## Instruction Manual



SCAN HERE FOR MORE INFORMATION  
ON INSTALLATION OR SPARE PARTS.

OR VISIT: [CHILDSAFETYHELPCOM.AU](http://CHILDSAFETYHELPCOM.AU)



**IMPORTANT! READ AND FOLLOW THESE INSTRUCTIONS  
CAREFULLY AND KEEP FOR FUTURE REFERENCE.**

THIS PRODUCT CONFORMS TO EN1930:2011.



## ● WARNINGS

- WARNING** To prevent serious injury or death, securely install gate or enclosure and use according to manufacturer's instructions.
- WARNING** Never leave child unattended when using this product.
- WARNING** Incorrect installation can be dangerous.
- WARNING** Do not use the safety barrier if any components are damaged, missing or disassembled.
- WARNING** The safety barrier must not be fitted across windows.
- WARNING** Never use with a child able to climb over or dislodge/open the safety barrier which may cause danger.
- WARNING** Never install this product on glass doors. Install this product against reliable doors or walls.
- WARNING** To prevent falls, never use this product at the top of stairs.
- WARNING** If the safety barrier is used at the bottom of the stairs, it should be positioned at the front of the lowest tread possible.
- WARNING** To prevent injury, do not put any goods which can be grabbed by children or pets near this product.
- WARNING** Before using this product, carefully inspect for any loose parts and whether any parts need to be tightened.





# ● WARNINGS

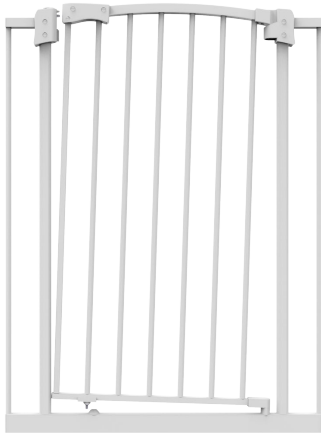
- WARNING** Ensure the product to be installed is horizontal and flat on the floor.
- WARNING** This product is intended for use with children from 6 to 24 months or small to medium pets.
- WARNING** Regularly check that the safety barrier is properly installed and secure.
- WARNING** Any additional or replacement parts should be obtained from Kmart Australia Ltd.
- WARNING** Barrier must be fitted between rigid surfaces such as plaster board, timber or hardwall.
- WARNING** Always check that the safety barrier is correctly closed.
- WARNING** Use only with the locking/latching mechanism securely engaged.
- WARNING** This safety barrier is for domestic use only.
- WARNING** Never use without Mounting Cups.
- WARNING** This safety barrier has a manual closing system.
- WARNING** This safety barrier must be fitted between a rigid surface such as doorways, walls and stair posts along with mounting cups secured with screws.





# PARTS

## INCLUDES



1 x  
Safety Gate



1 x  
12.7cm Gate  
Extensions



1 x  
25.4cm Gate  
Extensions



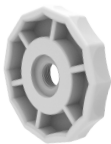
4 x  
Adjuster Bolts



4 x  
Screws



4 x  
Adhesive Pads



4 x  
Adjuster Screws



4 x  
Mounting Cups



4 x  
Extension Pins



4 x  
Rotary Bolt  
Inserts





# ● INSTALLATION

## NOTE

When you unpack the gate, you may notice a gap at the door opening. This is normal with pressure mounted gates and the gap will disappear when it is installed correctly.





# ● INSTALLATION

## GATE PLACEMENT

Gate must be installed in a structurally sound opening. Ensure mounting surface (wall, door frame, stair etc.) is strong, rigid and has an even surface.

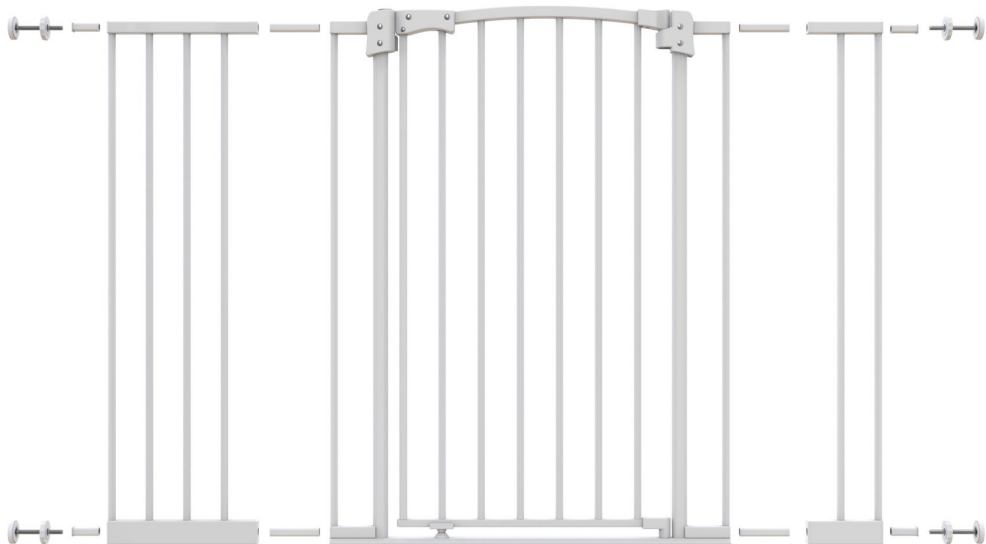
If using gate on a stairway, it must be placed on the lowest step.

### EXTENSIONS

1. Measure the space to be enclosed. You may need to use extensions.

Gate with no extensions fits:	<b>71.5cm - 79cm</b>
Gate with 1 x 12.7cm extension fits:	<b>84.5cm - 92cm</b>
Gate with 1 x 25.4cm extension fits:	<b>96.5cm - 104cm</b>
Gate with 1 x 12.7cm and 1 x 25.4cm extension fits:	<b>109.5cm - 117cm</b>

**Note: Only use one extension on each side of gate. If no extensions are required, substitute the extension pins with the rotary bolts inserts.**

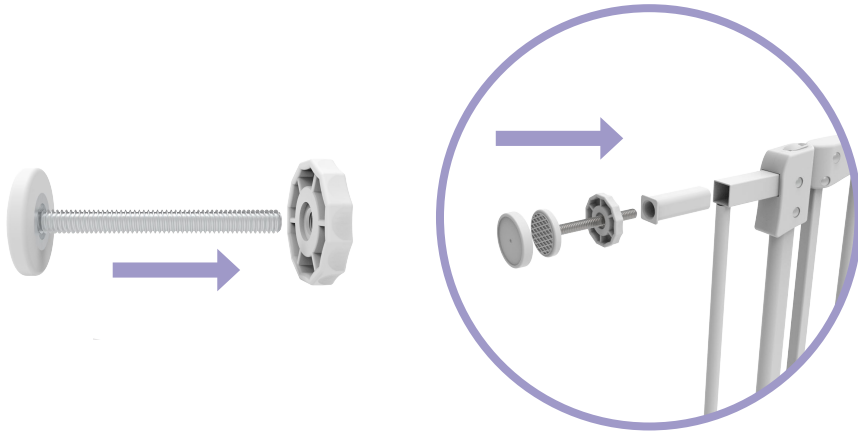




# ● INSTALLATION

## INSIDE OPENING OR DOORWAY

1. Screw Adjuster Bolts and Screws together and then place into mounting holes in each corner of gate.



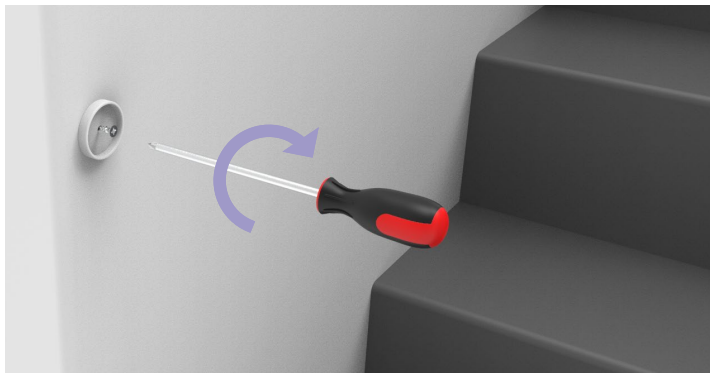
2. Place the gate in opening and ensure the bottom rail is completely flat on the floor and the Mounting Cups are directly above each other. Mark the position of each Mounting Cup on the walls and/or stair post.





3. Stick the Mounting Cups in position with the Adhesive Pads and then place gate into position.

For added security, fix each cup to the wall using a small Phillips head screwdriver (not included) and the Screws provided.



The gate must only be fixed to a solid and secure surface. If unsure, check with a qualified builder or trades person that the installation you intend is suitable and safe within the chosen location.



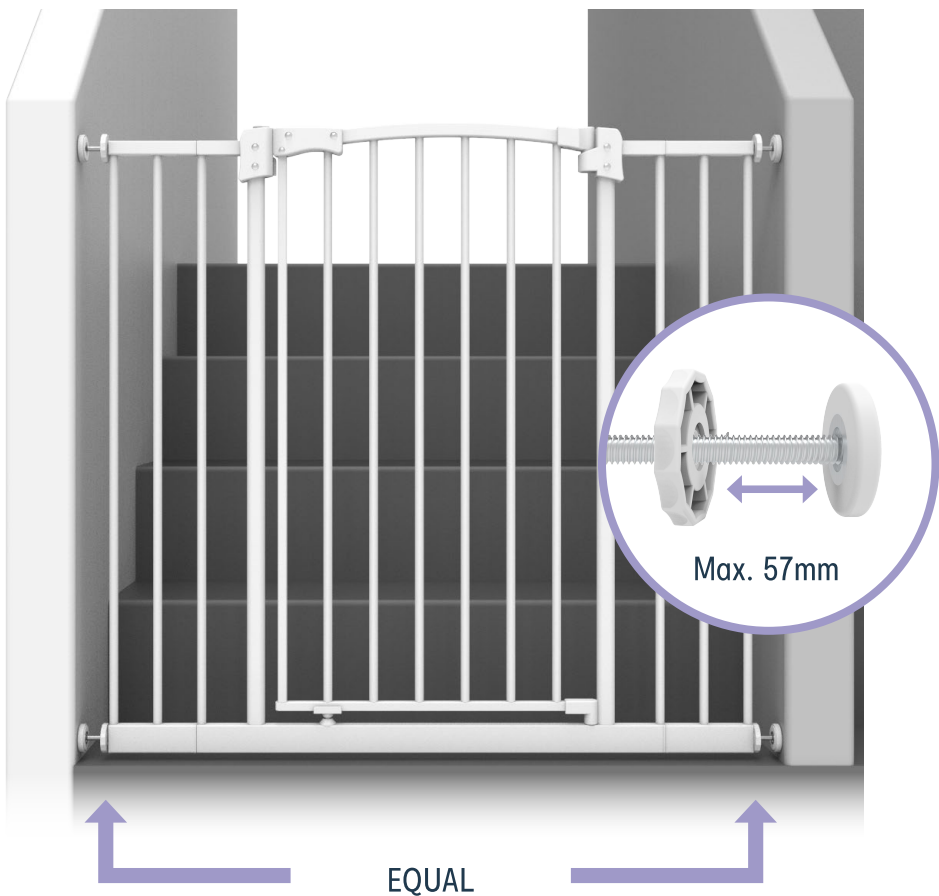




4. Align gate with Mounting Cups and tighten Adjuster Screws by turning clockwise, starting with the bottom Adjuster Screws, then tighten the top screws. Tighten equally until there is only a 1.5mm gap in the locking mechanism. Regularly check tension of all mounting bolts and adjust if required.

**Note: Do not extend Adjuster Bolts more than 57mm.**

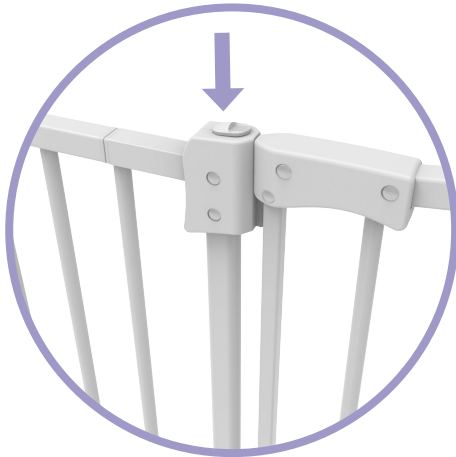
**Note: Do not over tighten,  
allow 1.5mm gap in the locking mechanism**





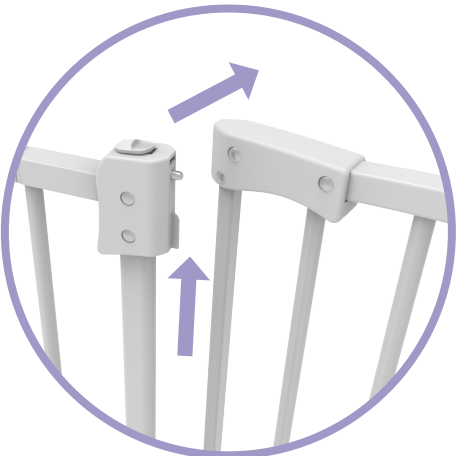
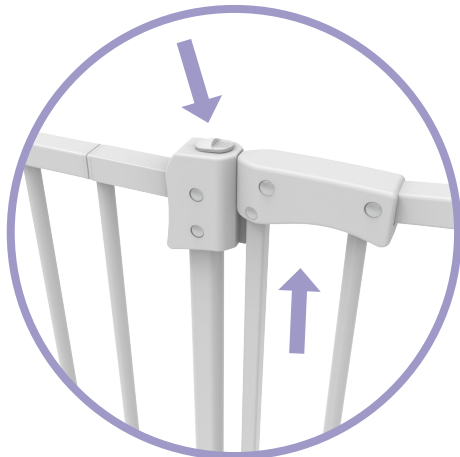
## ● OPERATION

### HOW TO OPEN



1. Using one hand, place thumb on the button and grip gate with fingers.

2. Push button with thumb and lift gate.



3. Open gate in either direction. The safety gate has a manual closing system. Always check gate is properly closed.

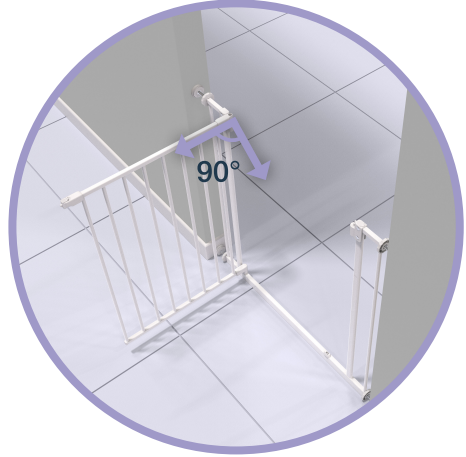
**Note:** If gate is open and excessive pressure is applied, (such as standing or swinging on gate) structural damage may occur.





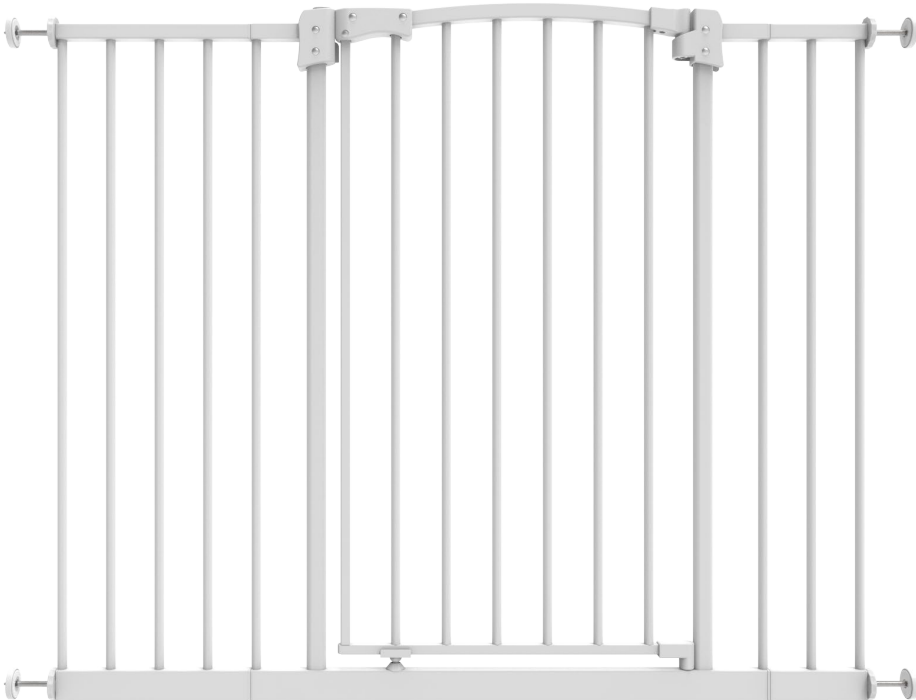
## ● OPERATION

4. To enable stay open feature, completely open gate to a 90° angle.



## CLEANING INSTRUCTIONS

Simply use a soft damp cloth to wipe gate and dry thoroughly after cleaning. Do not use chemical or abrasive cleaners.





**IMAGES/DRAWINGS IN THE MANUAL ARE FOR VISUAL PURPOSES ONLY.  
ACTUAL PRODUCT MAY VARY SLIGHTLY. THE MANUFACTURER RESERVES THE  
RIGHT TO CHANGE ANY SPECIFICATION OR FEATURE WITHOUT PRIOR NOTICE.**

**KEYCODE: 42-584-155**

**MADE IN CHINA**

© KMART AUSTRALIA LIMITED

FOR AU / NZ: IMPORTED FOR KMART STORES IN AUSTRALIA AND NEW ZEALAND.

KMART AUSTRALIA - 690 SPRINGVALE ROAD, MULGRAVE, VIC 3170 AUSTRALIA.

KMART NEW ZEALAND - REGIONAL OFFICE C/O KMART PAPATOETOE STORE,  
HUNTERS PLAZA, GREAT SOUTH ROAD, PAPATOETOE, AUCKLAND, NEW ZEALAND.

**KMART CUSTOMER SERVICE**

**AU: 1800 124 125 NZ: 0800 945 995**

**AFTER SALES SUPPORT:**

**AU: 03 9005 0127 NZ: 0800 945 995**

**[WWW.CHILDSAFETYHELP.COM.AU](http://WWW.CHILDSAFETYHELP.COM.AU)**



**SCAN HERE FOR MORE INFORMATION  
ON INSTALLATION OR SPARE PARTS**

**OR VISIT: [CHILDSAFETYHELP.COM.AU](http://CHILDSAFETYHELP.COM.AU)**

