

anko

**Toaster
T389A00
User Manual**



**PLEASE READ AND SAVE THESE
INSTRUCTIONS FOR FUTURE REFERENCE**

IMPORTANT SAFEGUARDS

When using electrical appliances, basic safety precautions should always be followed, including the following:

1. Please read these instructions before operating and retain for future reference.
2. This appliance is not intended for use by persons (including children) with reduced physical, sensory or mental capabilities, or lack of experience and knowledge, unless they have been given supervision or instruction concerning use of the appliance by a person responsible for their safety.
3. Children should be supervised to ensure that they do not play with the appliance.
4. If the supply cord is damaged, it must be replaced by qualified electrical person in order to avoid a hazard, or the product must be disposed of.
5. **Caution: The bread may burn, therefore toaster must not be used near or below curtains and other combustible material. The toaster should be attended when in use.**
6. The appliances are not intended to be operated by means of an external timer or separate remote-control system.
7. This appliance is intended to be used in household and similar applications such as:
 - staff kitchen areas in shops, offices and other working environments;
 - farm houses;
 - by clients in hotels, motels and other residential type

environments;

– bed and breakfast type environments.

8. To protect against electrical shock do not immerse any part of the appliance or cord in water or any other liquid.
9. Close supervision is necessary when the appliance is near children.
10. Do not leave the appliance unattended when in use.
11. Do not use toaster near curtains, upholstery or other decorative fabrics, as they can easily catch fire and cause a safety hazard.
12. Always use the appliance on a dry, level surface.
13. Do not use appliance for other than intended use. Do not use outdoors.
14. Always unplug from the plug socket when not in use and before cleaning.
15. Do not let the cord hang over the edge of a table or counter or touch hot surfaces. Allow unit to cool before wrapping cord around base for storage.
16. Care must be taken, not to touch any hot surfaces, do not store or cover the appliance until it has fully cooled down.
17. Do not place this appliance on or near a hot gas or electric burner, in or where it could touch a heated oven, or a microwave oven.
18. Do not use harsh abrasives, caustic cleaners or oven cleaners when cleaning this appliance.
19. When using this appliance, allow adequate air space above and on all sides for air circulation. Do not allow

this appliance to touch curtains, wall coverings, clothing, dishtowels or other flammable materials during use.

CAUTION is required on surfaces where heat may cause a problem - an insulated heat pad is recommended.

20. Do not use the toaster without the slide out crumb tray in place. The crumb tray should be cleaned regularly. Do not allow crumbs to build up in the tray.
21. Do not use this appliance with any foodstuff product containing sugar content or with products containing jam or preserves.
22. The temperature of accessible surfaces may be high when the appliance is operating.
23. The use of accessory attachments not recommended by the appliance manufacturer may cause injuries.
24. Make sure to turn the Bread rack handle in position thoroughly before placing the bread on the bread rack.
25. Use only pre-sliced bread.
26. Regarding the instructions for cleaning surfaces in contact with food, please refer to the section “Care and Cleaning”.

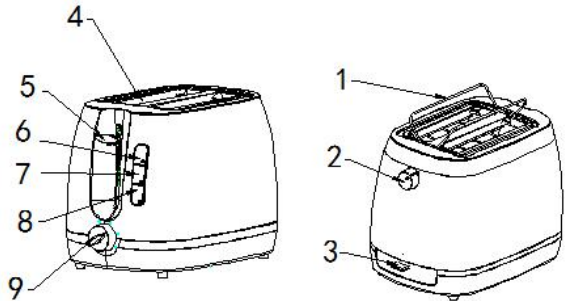
WARNING!!

Never operate toaster on its side. To prevent damage to toaster, DO NOT toast with extremely runny ingredients such as butter, jam and other sugary ingredients. Adding any food substances to the bread, muffins or crumpets can cause an electric shock and / or fire. This toaster is for toasting of bread, crumpets and muffins only.

SAVE THESE INSTRUCTIONS FOR HOUSEHOLD USE ONLY

PARTS DESCRIPTION

1. Bread rack
2. Bread rack knob
3. Crumb tray (located at rear bottom side)
4. Toasting slots
5. Carriage control lever
6. Cancel button
7. Defrost button
8. Reheat button
9. Browning control



Caution: The bread may burn, therefore toaster must not be used near or below curtains and other combustible materials. **The toaster should be attended when in use.**

OPERATION

1. Insert the plug into a suitable mains supply socket and turn the power on.
2. Place up to two slices of bread, muffins into bread slots.
3. Select the desired browning setting, from 1 to 6 on the browning control knob. (1-lightest, 6-darkest).
When using the toaster for the first time we suggest you toast on number 3. Varying types of bread and personal preference may require a different browning setting.
4. Press the carriage control lever down until it clicks into place. Toasting cycle will automatically commence. Please note: if the toaster is not plugged in and switched on at the power point the carriage control lever will not click into place.

5. The toaster turns off when the desired toast colour is achieved and automatically raises the toast. The toasting process can be stopped at any time by pressing the Cancel button.
6. Use the bread rack to heat up rolls or other bread. Place the bread on the top of the rack. Please note: **only heat up one piece at a time**. Select browning setting and press the carriage control lever down to switch on the toaster. Toasting cycle will commence and the toaster turns off when the desired toast colour is achieved automatically.

TOASTING FROZEN BREAD: To toast frozen bread, place the bread into the bread slots and select the desired browning setting. Press the carriage control lever down until it clicks into place, then press the Defrost button.

REHEAT TOAST: The toaster allows you to reheat toast without additional toasting. To reheat, place toast into bread slots, lower the carriage control lever until it clicks into place and press the reheat button.

In the unlikely event that the bread or crumpet becomes jammed, press the Cancel button and switch the toaster off at the power outlet, remove the plug from the supply socket and carefully ease the bread out of the toaster, ensuring that you do not damage the element.

CARE AND CLEANING

1. Always turn the power off, remove the plug and allow the toaster to cool before cleaning.
2. To remove any crumbs from the toaster, slide out the crumb tray from under the toaster, empty and replace in the toaster before using it again.
3. Wipe the outside of the toaster with a slightly dampened cloth and polish with a soft dry cloth.
4. Do not immerse the unit in water.
5. To clean the interior, turn the toaster upside down over the sink and

shake crumbs free.

The crumb tray should be cleaned regularly. Do not allow breadcrumbs to accumulate in the bottom of the toaster.

STORAGE

1. Unplug the Toaster from mains power.
2. Allow the appliance to cool down completely.
3. Do not wrap the power cord around the appliance.
4. Store the appliance in a dry location and out of the reach of children.

TECHNICAL DATA

Voltage : 220-240Va.c. 50/60Hz

Power : 730-870W

12 MONTH WARRANTY

Thank you for your purchase from Kmart.

Kmart Australia Ltd warrants your new product to be free from defects in materials and workmanship for the period stated above, from the date of purchase, provided that the product is used in accordance with accompanying recommendations or instructions where provided. This warranty is in addition to your rights under the Australian Consumer Law.

Kmart will provide you with your choice of a refund, repair or exchange (where possible) for this product if it becomes defective within the warranty period. Kmart will bear the reasonable expense of claiming the warranty. This warranty will no longer apply where the defect is a result of alteration, accident, misuse, abuse or neglect.

Please retain your receipt as proof of purchase and contact our Customer Service Centre on 1800 124 125 (Australia) or 0800 945 995 (New Zealand) or alternatively, via Customer Help at Kmart.com.au for any difficulties with your product. Warranty claims and claims for expense incurred in returning this product can be addressed to our Customer Service Centre at 690 Springvale Rd, Mulgrave Vic 3170.

Our goods come with guarantees that cannot be excluded under the Australian Consumer Law. You are entitled to a replacement or refund for a major failure and compensation for any other reasonably foreseeable loss or damage. You are also entitled to have the goods repaired or replaced if the goods fail to be of acceptable quality and the failure does not amount to a major failure.

For New Zealand customers, this warranty is in addition to statutory rights observed under New Zealand legislation.