

# WOVEN BENCH

42560593

Please read the instructions carefully. Be sure you have all parts before you start assembling. Place all furniture parts on a clean and flat surface, such as carpet or rug to prevent from being scratched.

This package contains small parts, keep away from children and babies until assembly is completed.

## CARE INSTRUCTION :

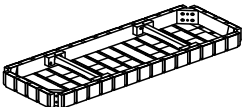

WIPE CLEAN WITH A DAMP CLOTH. DO NOT USE ABRASIVE MATERIALS AND SOLVENTS. CHECK AND TIGHTEN ALL PARTS REGULARLY. STORE IN A DRY PLACE




## WARNING!

DO NOT STAND ON THE BENCH. DO NOT USE THE BENCH AS A STEP LADDER. DO NOT USE THE BENCH UNLESS ALL BOLTS, SCREWS AND KNOBS ARE FIRMLY SECURED. DO NOT OVERTIGHTEN SCREWS. DO NOT DRAG WHEN MOVING THE PRODUCT TO AVOID DAMAGING THE JOINTS.

MAXIMUM SAFE LOADING WEIGHT: 200KG

FAILURE TO FOLLOW THESE WARNINGS COULD RESULT IN SERIOUS INJURY

No	Parts list	Qty (Pcs)
1		1Pc
2		4Pcs

No	Hardware	Qty (Pcs)
<b>A</b>	 Ø6 x 55mm	8Pcs
<b>B</b>	 Ø6.5/20 x 2mm	8Pcs
<b>C</b>	 Hex key 4mm	1Pc

