

## ASSEMBLY INSTRUCTIONS-2 DRAWER SIDE UNIT NATURAL

### CAUTION:

#### PLEASE READ THE INSTRUCTIONS CAREFULLY.

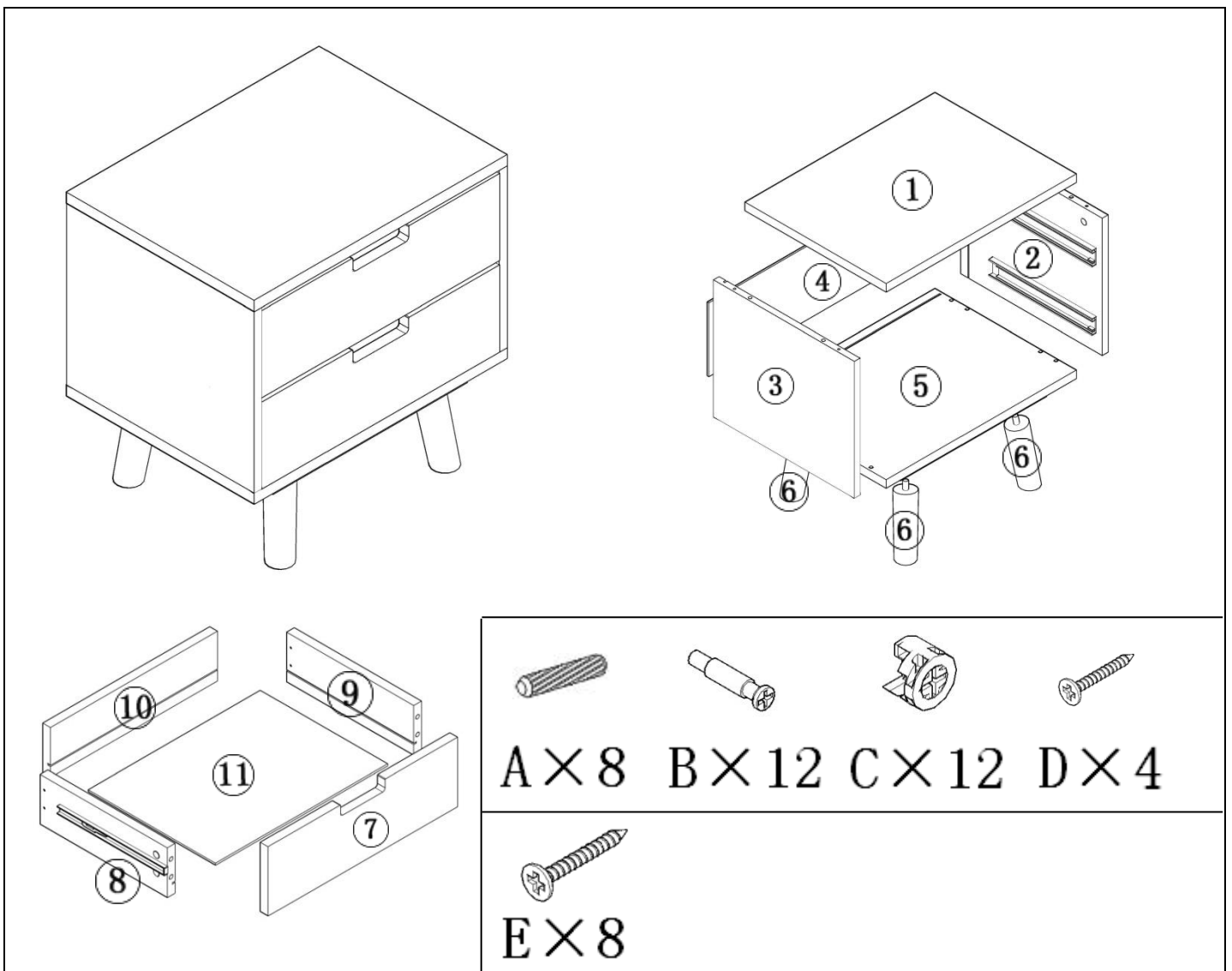
1. BE SURE YOU HAVE ALL PARTS BEFORE YOU START ASSEMBLING.
2. ASSEMBLE ON A CLEAN SOFT CARPETED SURFACE TO AVOID SCRATCHING THE SURFACE OF THE UNIT.
3. DO NOT DRAG OR KNOCK THE DRAWER. DO NOT SIT OR STAND ON THE DRAWER. DO NOT PLACE HOT ITEMS SUCH AS COFFEE CUPS DIRECTLY ON THE SURFACE OF THE DRAWER.
4. WHEN CLEANING THE SURFACE, USE A DAMP CLOTH OR DRY CLEAN CLOTH. DO NOT USE ABRASIVE MATERIALS AND SOLVENTS. KEEP AWAY FROM DIRECT SUNLIGHT. FOR INDOOR USE ONLY.
5. CHECK TIGHTNESS OF SCREWS EVERY 6-8 WEEKS.

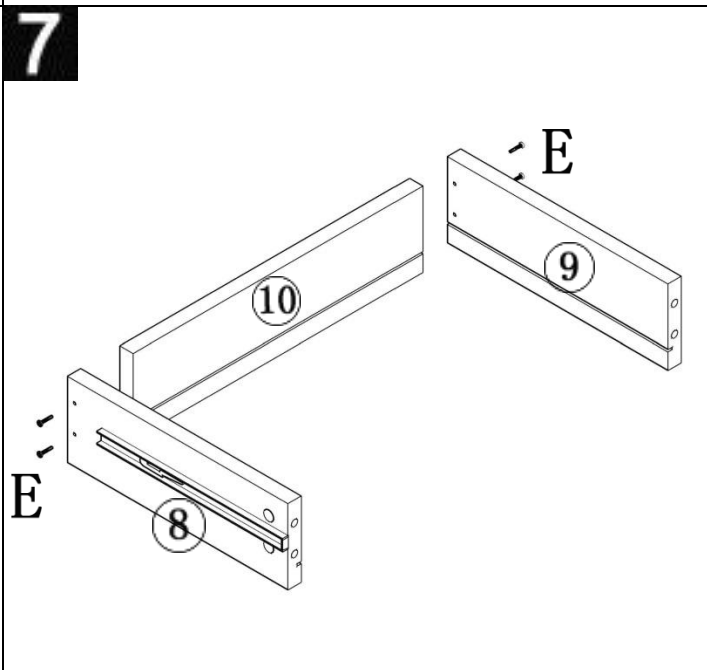
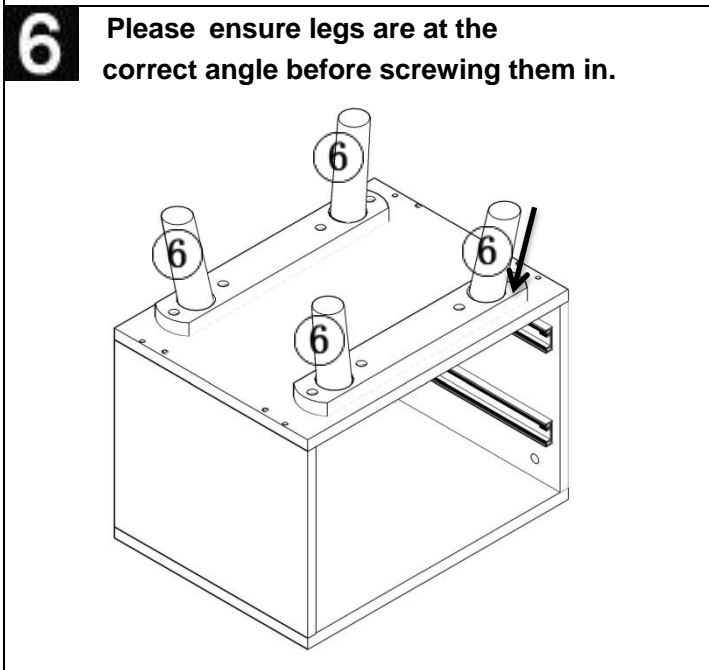
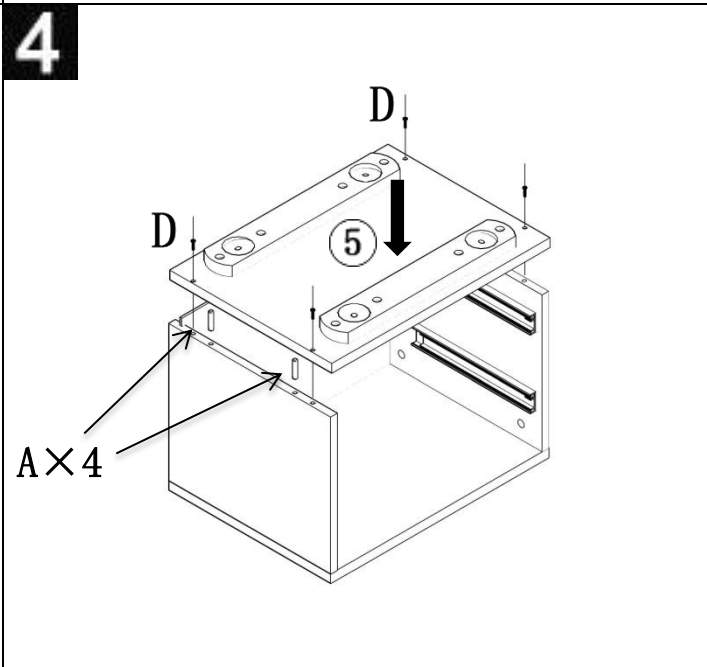
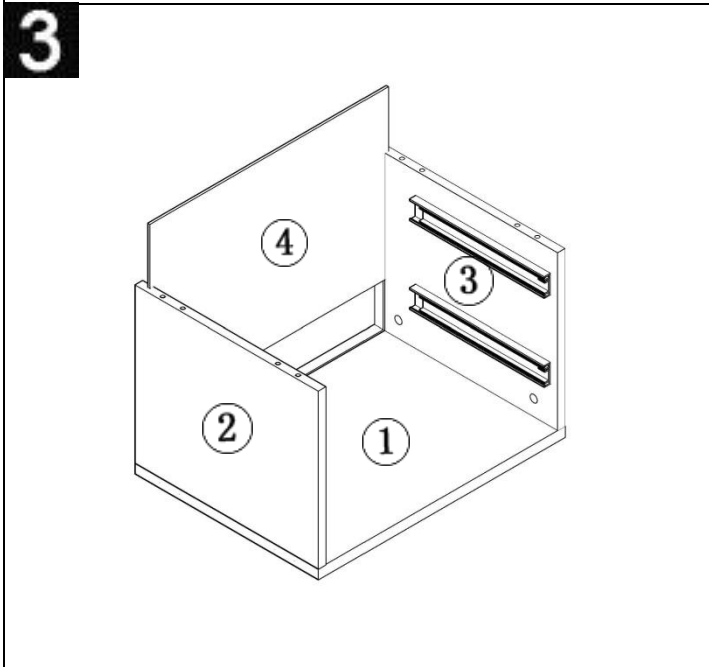
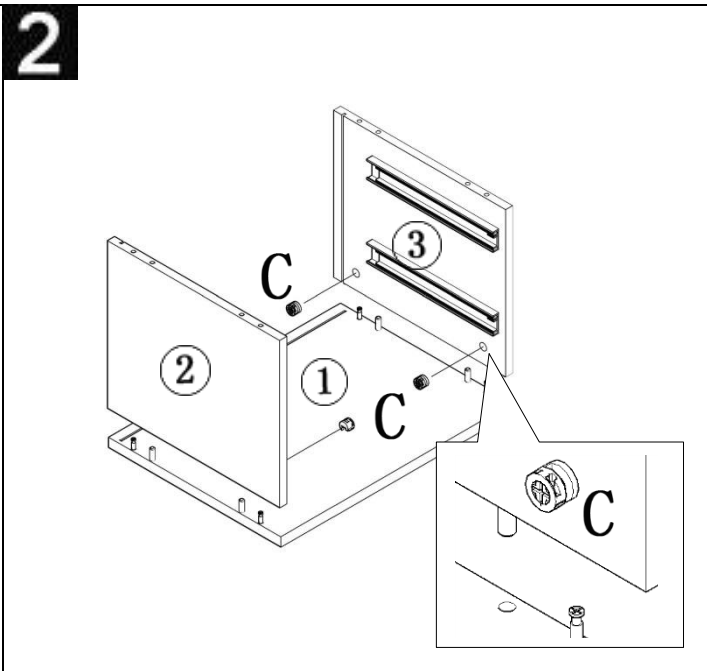
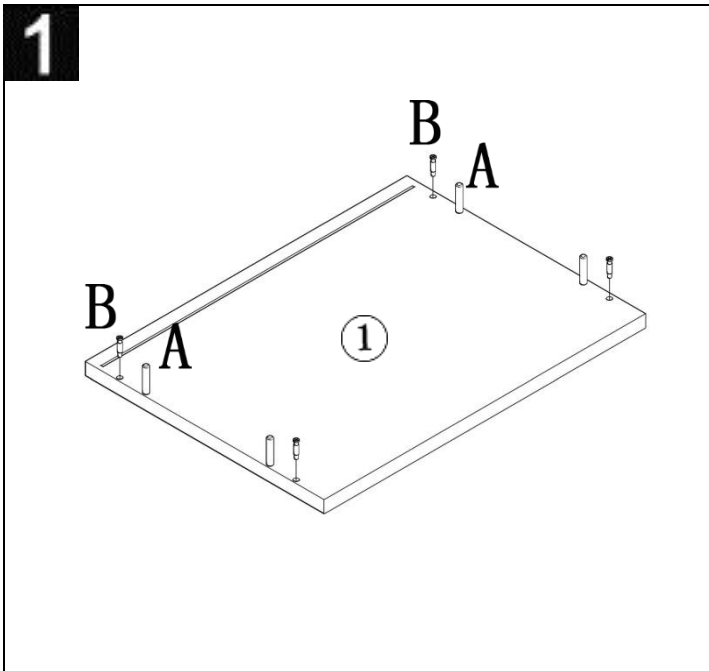
FAILURE TO FOLLOW THESE WARNINGS COULD RESULT IN SERIOUS INJURY.

### WARNING:

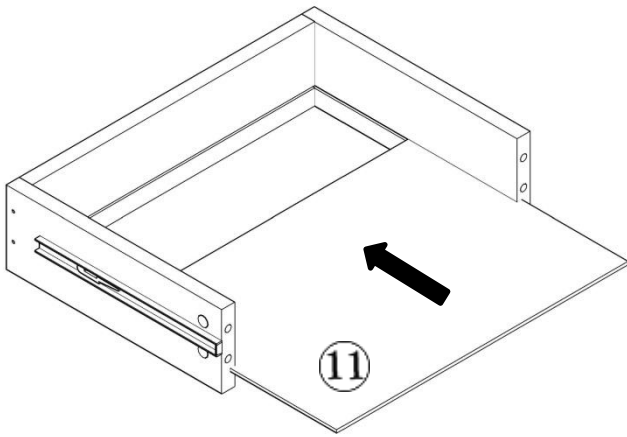
THIS PACKAGE CONTAINS SMALL PARTS AND SHARP POINTS.  
KEEP AWAY FROM CHILDREN AND BABIES UNTIL ASSEMBLY IS COMPLETE.  
ADULT ASSEMBLY REQUIRED.

MAXIMUM SAFE LOAD:10KGS FOR TOP PANEL, 5KGS FOR INSIDE DRAWER.

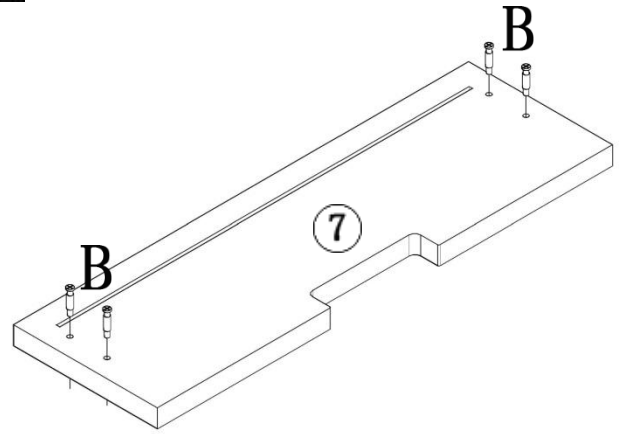




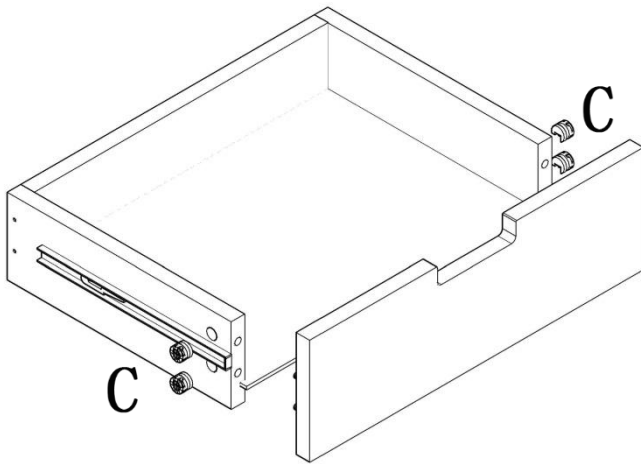
8



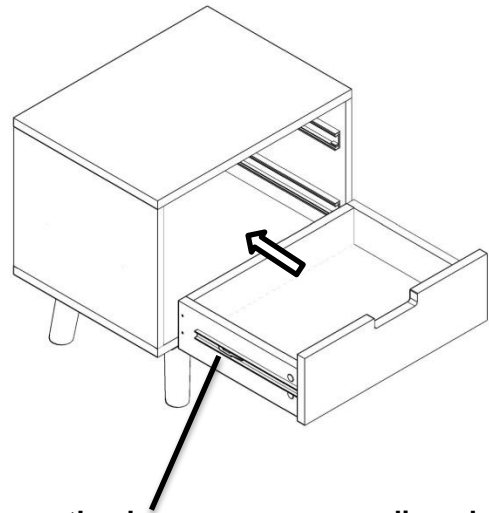
9



10

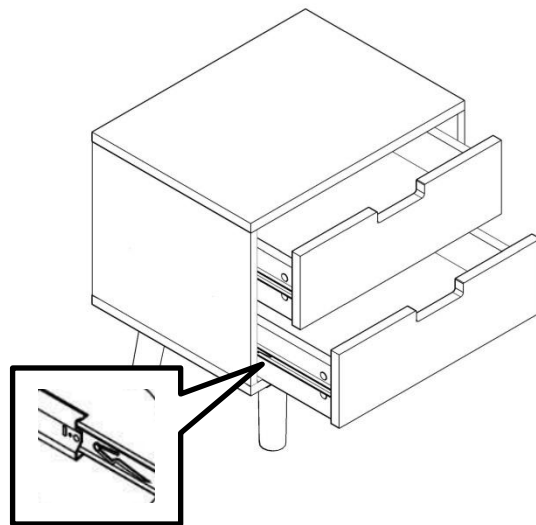


11



Ensure the drawer runners are aligned.

12



Lift / Press the lever to release the drawer.